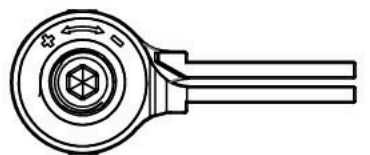
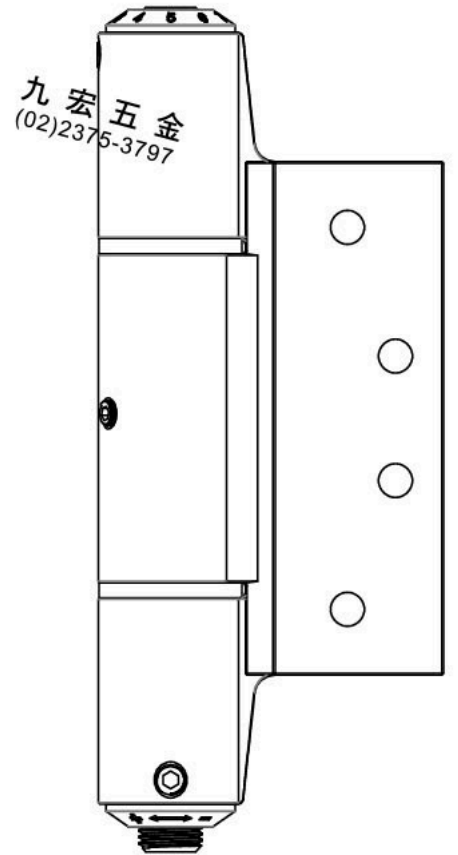
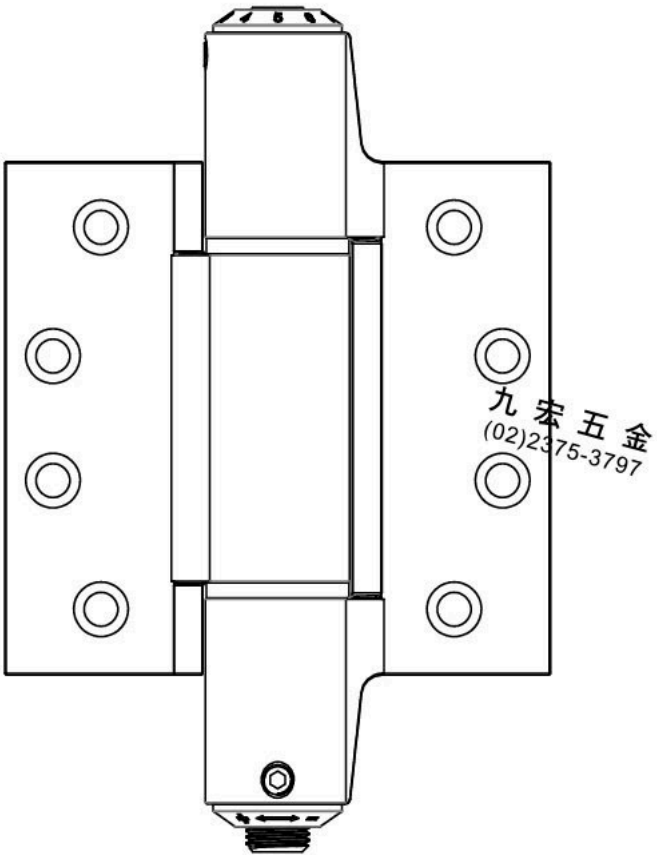
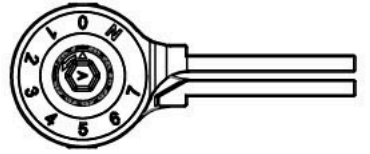
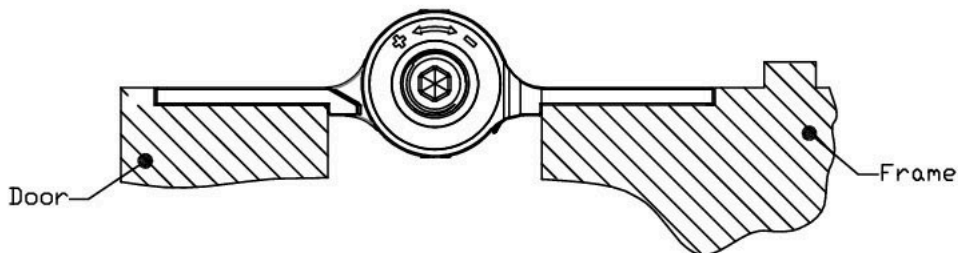
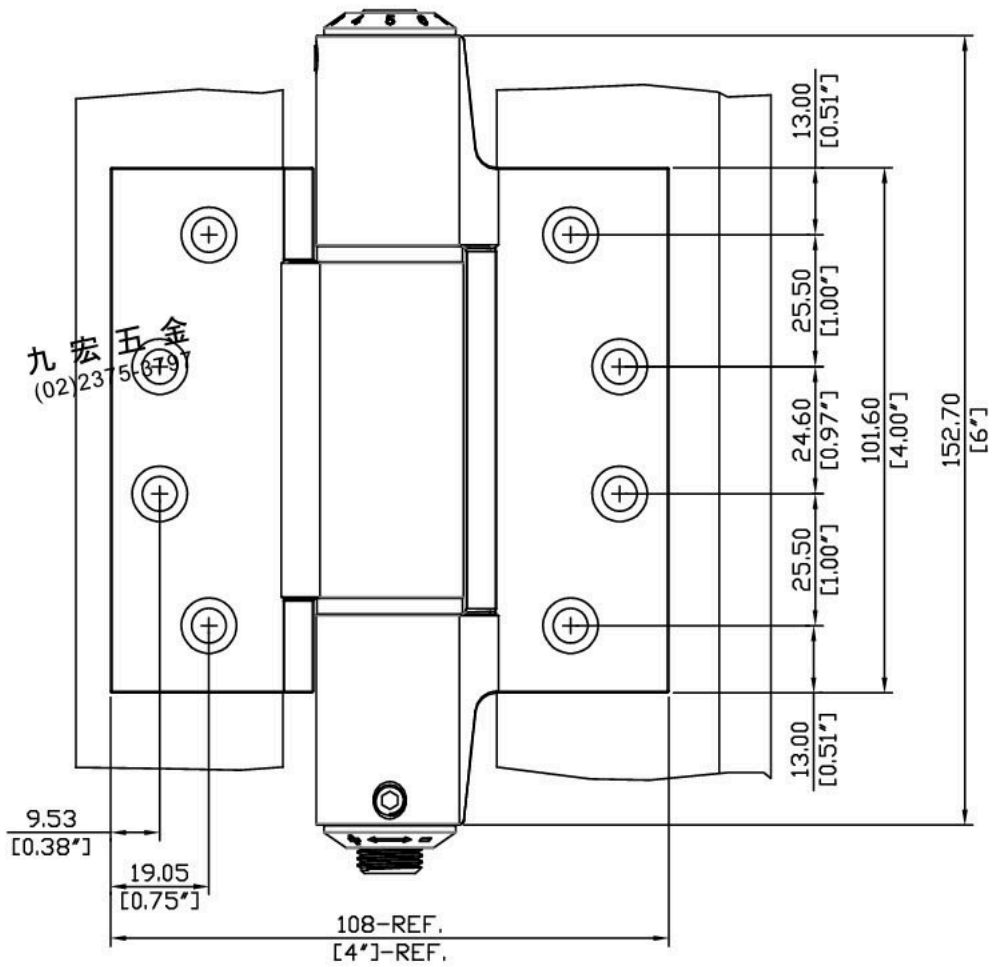
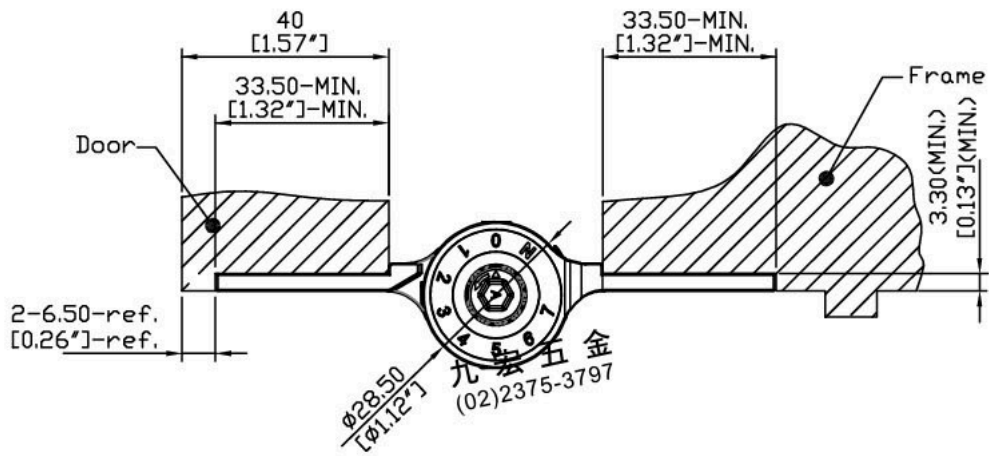


打開180°

W41M-400
(4*4)

閉合



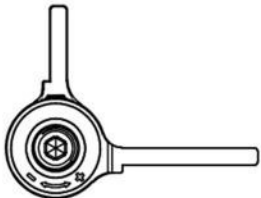
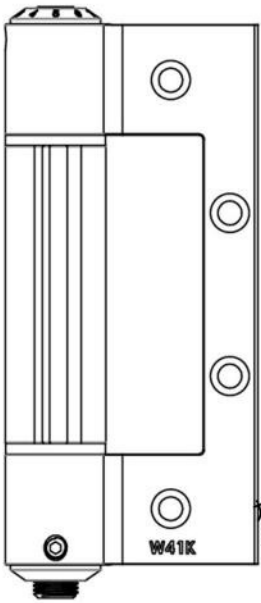
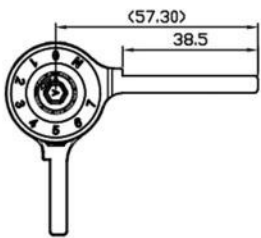


3in1 Auto Door-Closer Hinge
 Hinge@waterson.com

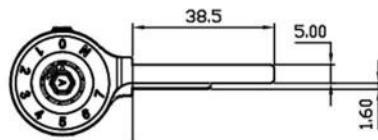
NAME: (名稱:) 3in1 Auto Door-Closer Hinge		Material: (材質:) 6061 T6
Pivot Height: (樞紐規格:) (3 KNUCKLES)	Template Size: (葉片規格:) 4"x4"	Standard: (標準規範) ANSI A156.7
Model NO.: (型號:) 400131	Serial NO.: (序號:) W41M	Door thickness: (適用門厚:) 40mm

W41K

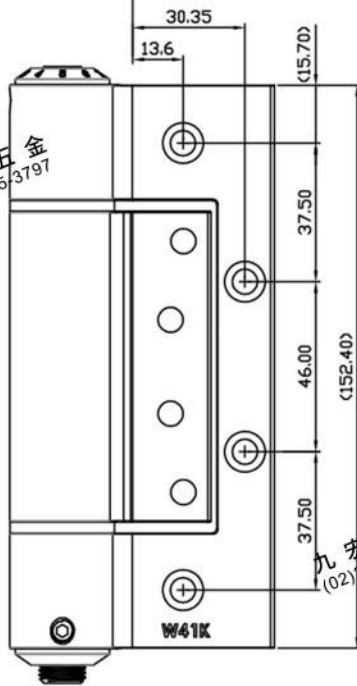
打開90°



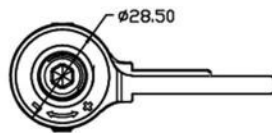
閉合0°



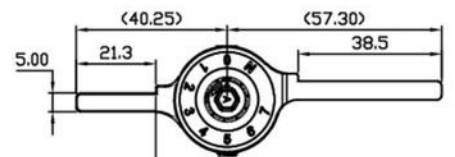
九宏五金
(02)2375-3797



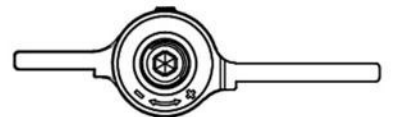
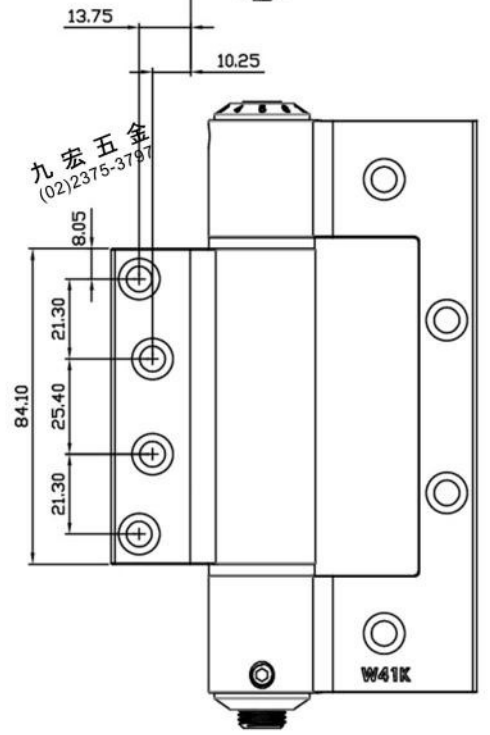
九宏五金
(02)2375-3797



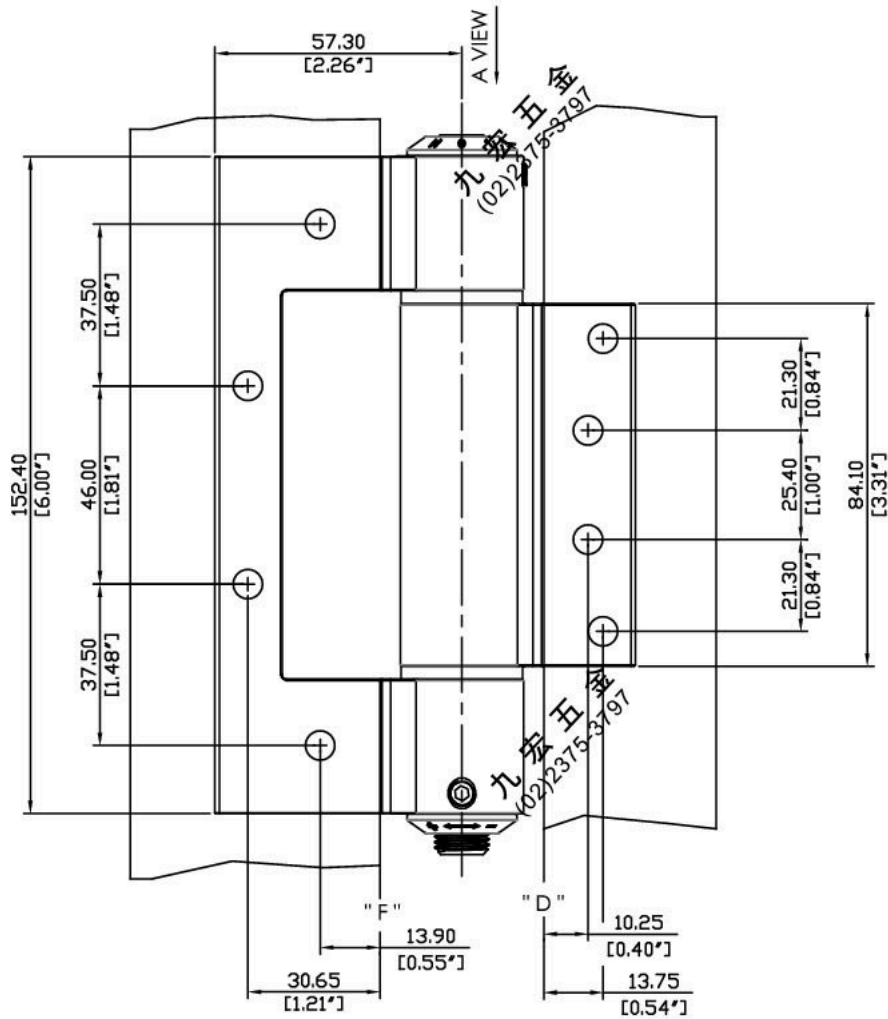
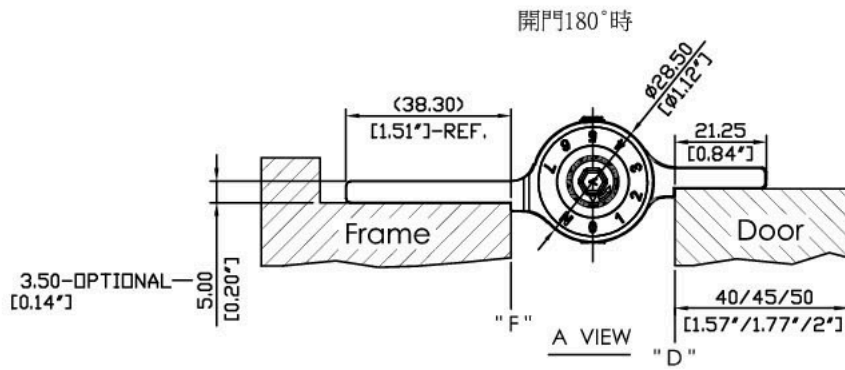
打開180°



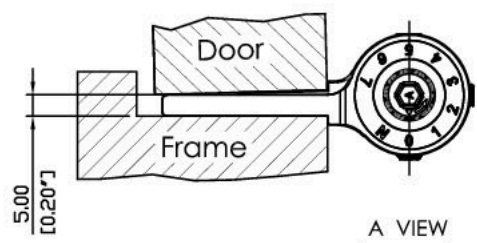
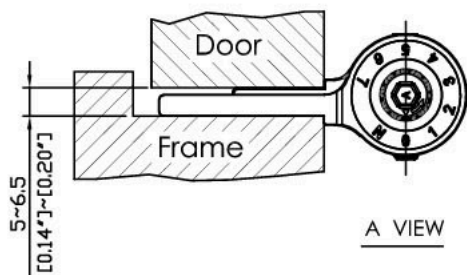
九宏五金
(02)2375-3797



關門時，門與門框間隙：5mm



0度時 閉門時 完全閉合時



3in1 Auto Door-Closer Hinge
Hinge@waterson.com

NAME: (名稱:) 3in1 Auto Door-Closer Hinge		Material: (材質:) 6061 T6
Pivot Height: (樞紐規格:) (3 KNUCKLES)	Template Size: (葉片規格:) 6" * 4.5"	Standard: (標準規範) -
Model NO.: (型號:) -	Serial NO.: (序號:) W41K	Door thickness: (適用門厚:) 40mm/45mm/50mm