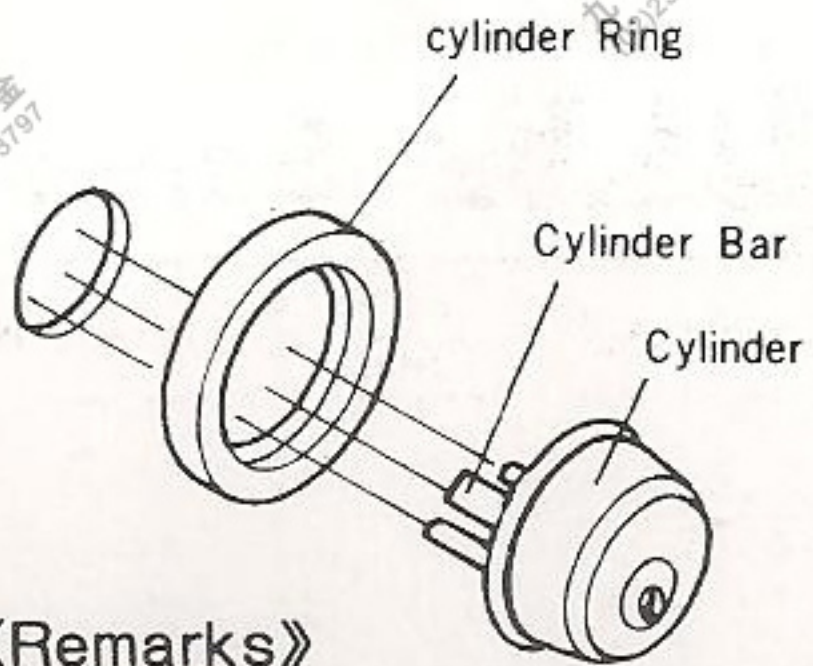


[For single cylinder functions]

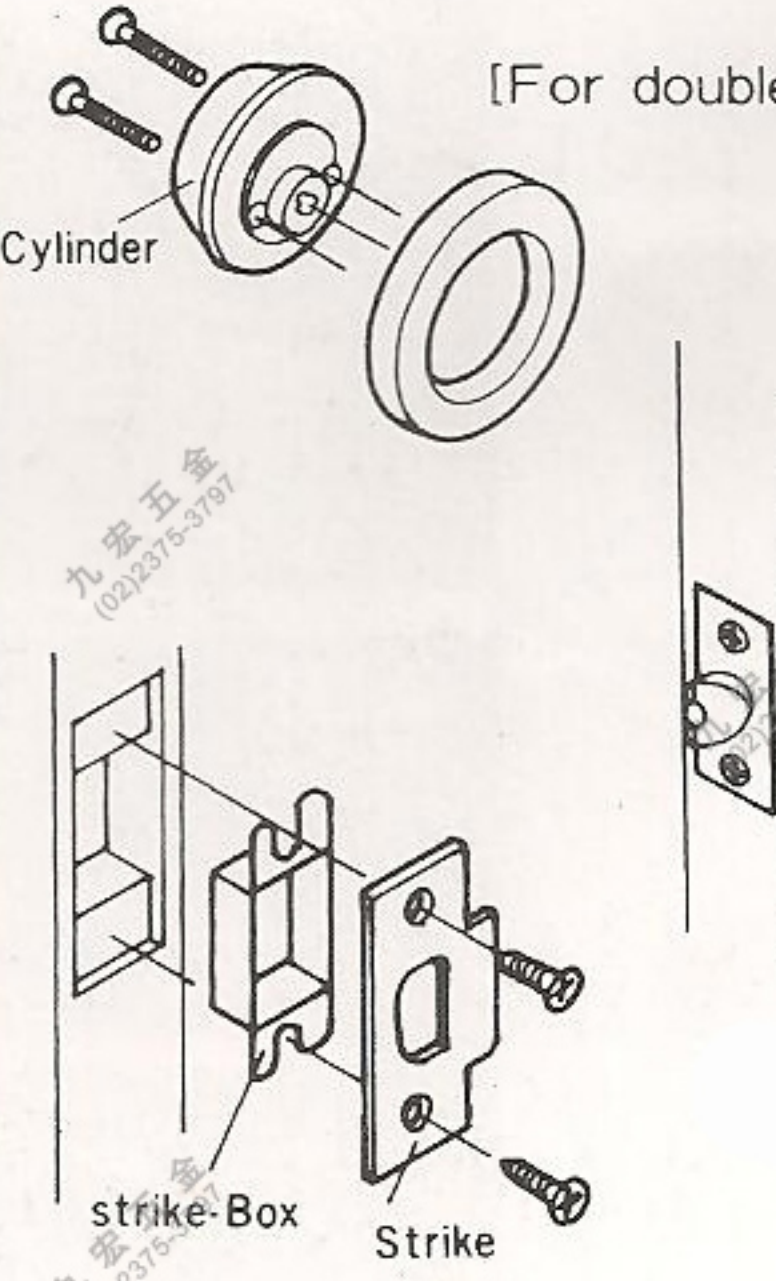
九宏五金
(02)2375-3797



《Remarks》

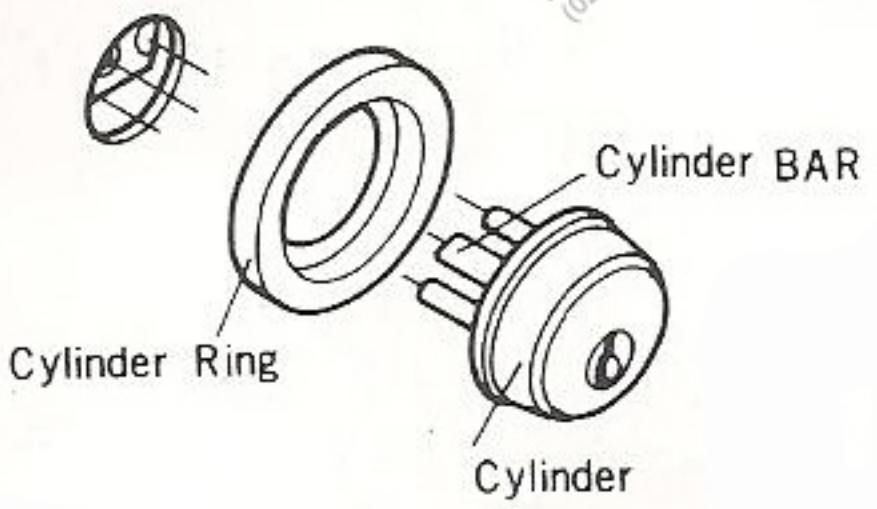
A cylinder spacer ring is required when used on 1 ³/₈" (35mm) to 1 ³/₄" (45mm) thick doors.

[For double cylinder functions]



《Remarks》

Cylinder spacer ring is required on both side when used on 1 ³/₄" (45mm) to 2" (50mm) thick doors.



九宏五金
(02)2375-3797

九宏五金
(02)2375-3797

九宏五金
(02)2375-3797