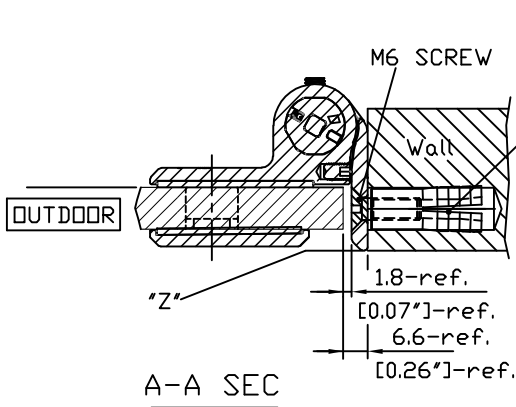
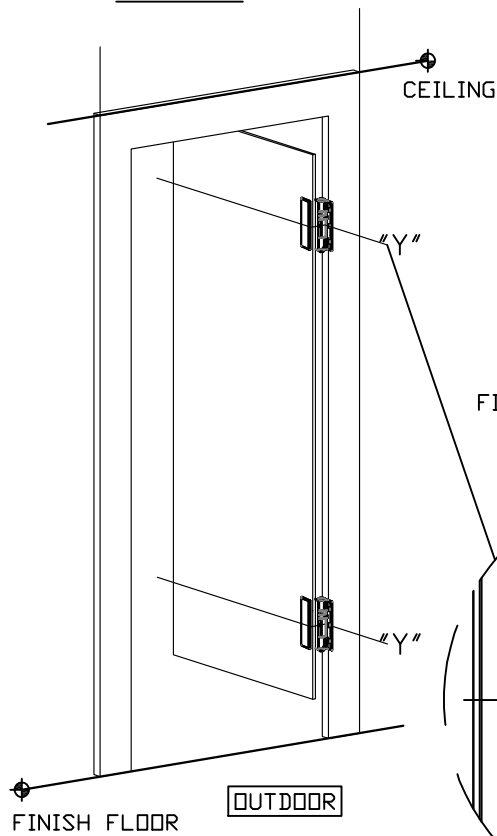


**K51GWL-90° (GLASS TO WALL)  
DOOR CLOSER HINGE  
POSITION FOR K51GWL HINGES**

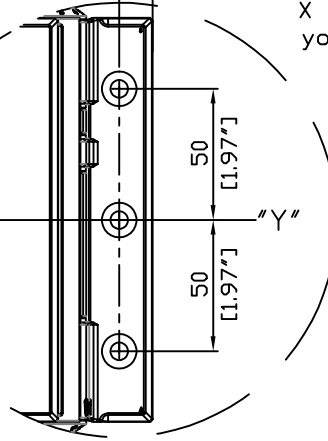


A-A SEC



FINISH FLOOR

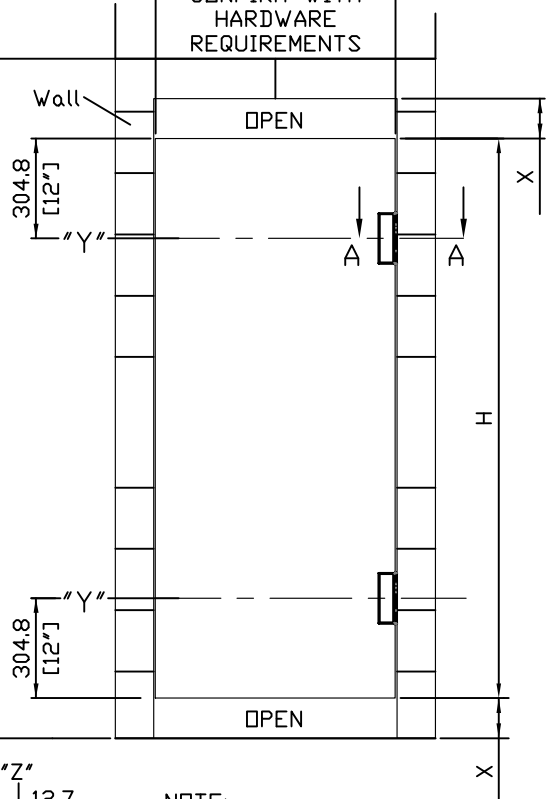
12.7 [0.5"]



OUTDOOR

914.4 [36"]

1/4" LESS THAN OPENING, CONFIRM WITH HARDWARE REQUIREMENTS

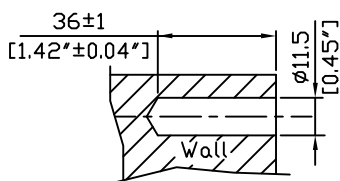


NOTE:

X=1/4"~1/2" (6.35~12.7mm)  
X space can be followed up your required specifications.

**Anchor Fastener**

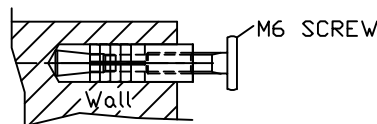
STEP A. Drill hole on wall .



Suggested drilling hole diameter is  $\phi 11.5 \times 36\text{mm} \pm 1\text{mm}$

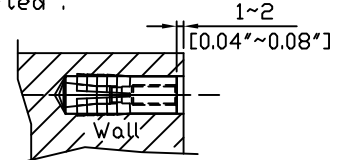
STEP B.

1. Anchor fastener with M6 screw inserts into wall hole.
2. Hammer hits the head of M6 screw.



STEP C.

1. After inserted anchor fastener keep 1~2mm depth from wall to anchor fastener face.
2. M6 screw being removed after inserted .



mm [Inch]

REV. DATE

2018-DEC-17

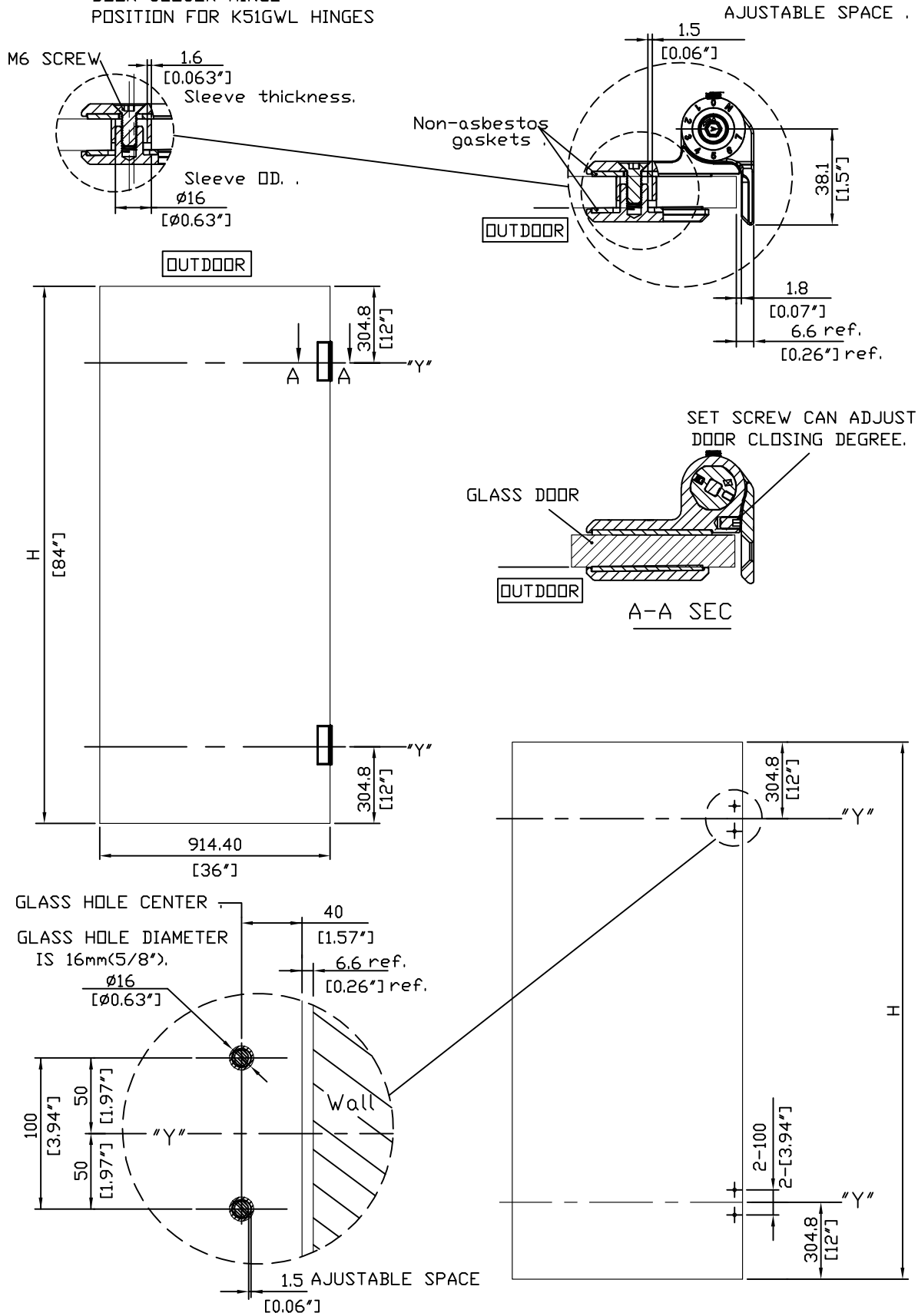


3in1 Auto Door-Closer Hinge  
Hinge@waterson.com

NAME:

Assembling K51GWL Hinge With Glass Door And Wall

**K51GWL-90°** (GLASS TO WALL)  
DOOR CLOSER HINGE  
POSITION FOR K51GWL HINGES



mm  
[inch]

REV. DATE

2018-DEC-17



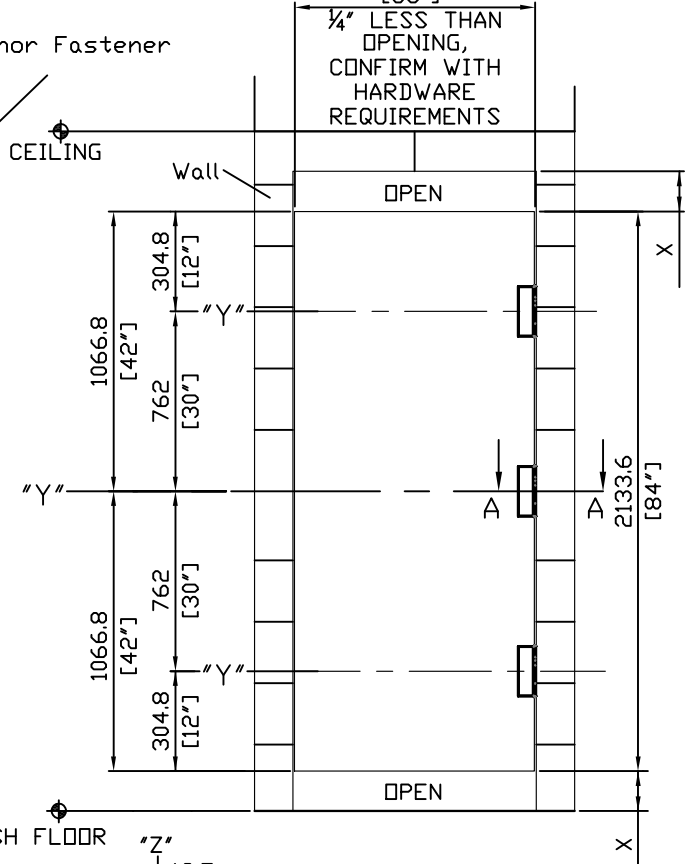
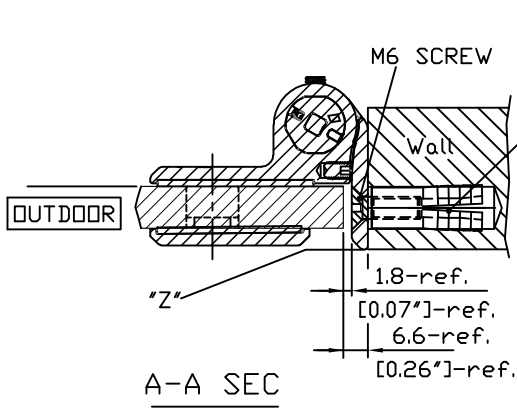
3in1 Auto Door-Closer Hinge  
Hinge@waterson.com

NAME:  
K51GWL - Glass door dimensions

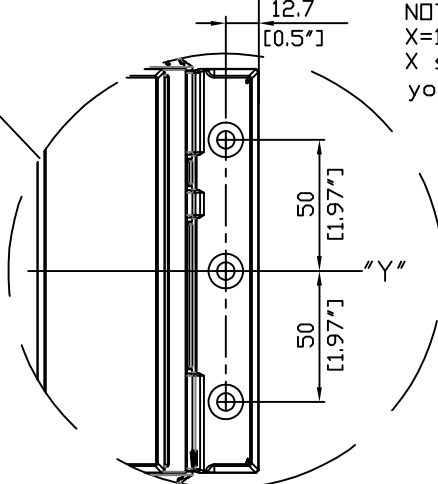
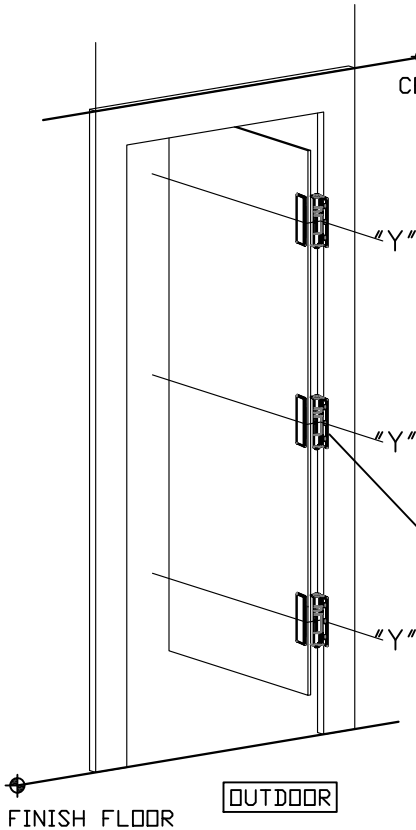
Glass door thickness:  
8~12 mm (5/16"~1/2")

**K51GWL-90° (GLASS TO WALL)**  
**DOOR CLOSER HINGE**  
**POSITION FOR K51GWL HINGES**

OUTDOOR  
 914.4  
 [36"]

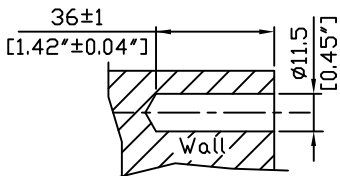


NOTE:  
 X=1/4"~1/2" (6.35~12.7mm)  
 X space can be followed up  
 your required specifications.



**Anchor Fastener**

STEP A. Drill hole on wall .

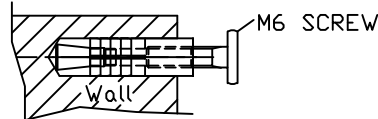


Suggested drilling hole diameter  
 is  $\phi 11.5 \times 36\text{mm} \pm 1\text{mm}$

mm  
 [Inch]

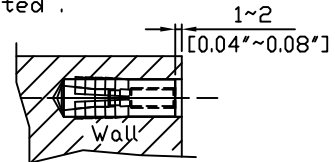
STEP B.

1. Anchor fastener with M6 screw inserts into wall hole.
2. Hammer hits the head of M6 screw.



STEP C.

1. After inserted anchor fastener keep 1~2mm depth from wall to anchor fastener face.
2. M6 screw being removed after inserted .



REV. DATE

2018-DEC-17



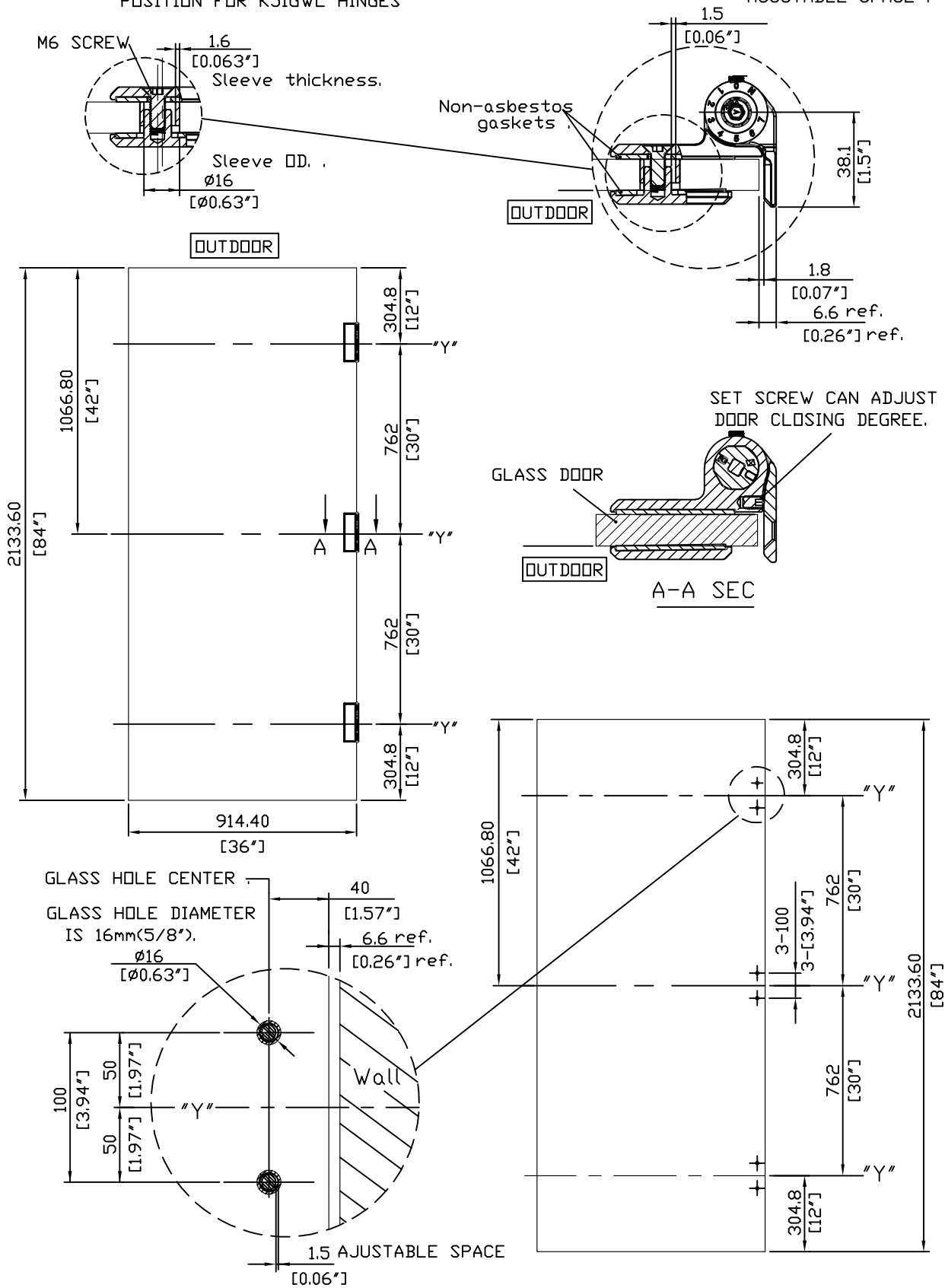
3in1 Auto Door-Closer Hinge  
 Hinge@waterson.com

NAME:

Assembling K51GWL Hinge With Glass Door And Wall

**K51GWL-90°** (GLASS TO WALL)  
 DOOR CLOSER HINGE  
 POSITION FOR K51GWL HINGES

AJUSTABLE SPACE .



mm  
[inch]

REV. DATE

2018-DEC-17



3in1 Auto Door-Closer Hinge  
 Hinge@waterson.com

NAME:  
 K51GWL - Glass door dimensions

Glass door thickness:  
 8~12 mm (5/16"~1/2")