

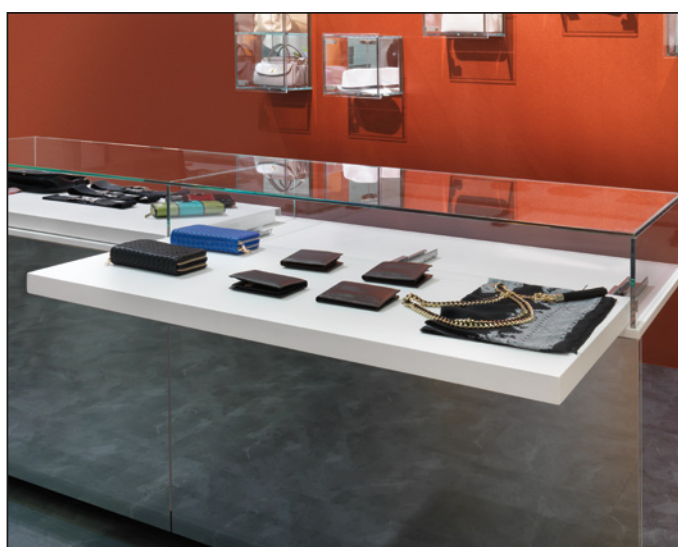


**Shelf**  
***SALICE***

## Shelf - Runner for pull-out shelves

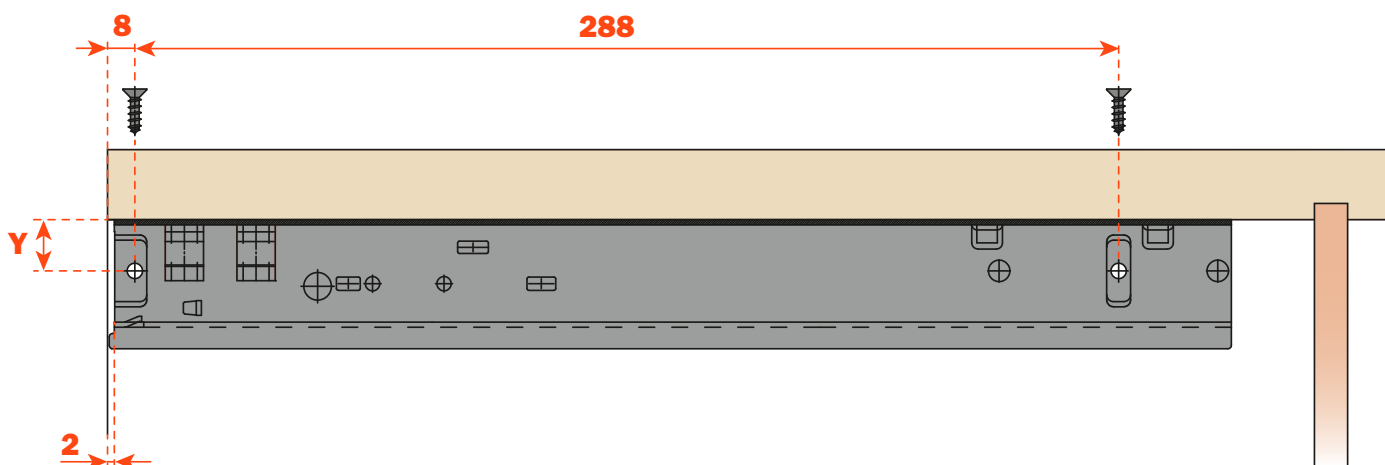
The Shelf runner for pull-out shelves with fixing on the bottom can be used in various contexts as kitchens, display stands for shops, living room and office furniture. This runner enables shelves to slide forward for easy access.

It is available with full-extension, all lengths, with Push opening for handle-less furniture and with Smove decelerated closing.



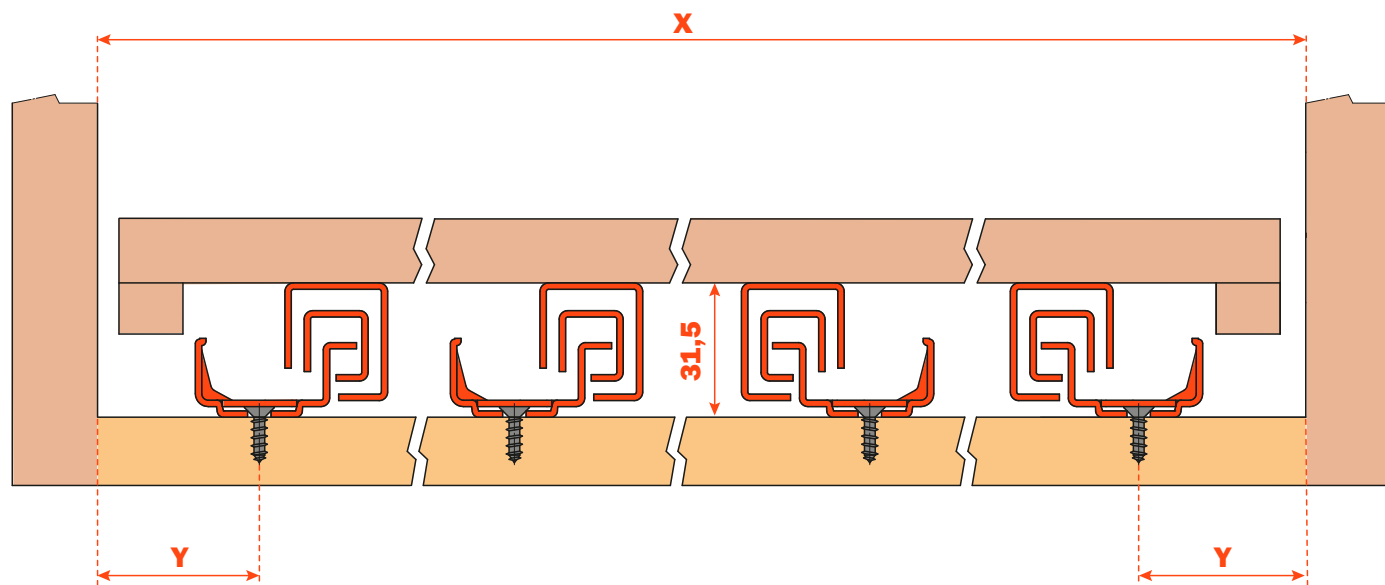
Plan view - Full-extension

350 - 600



Y = Min. 15 mm

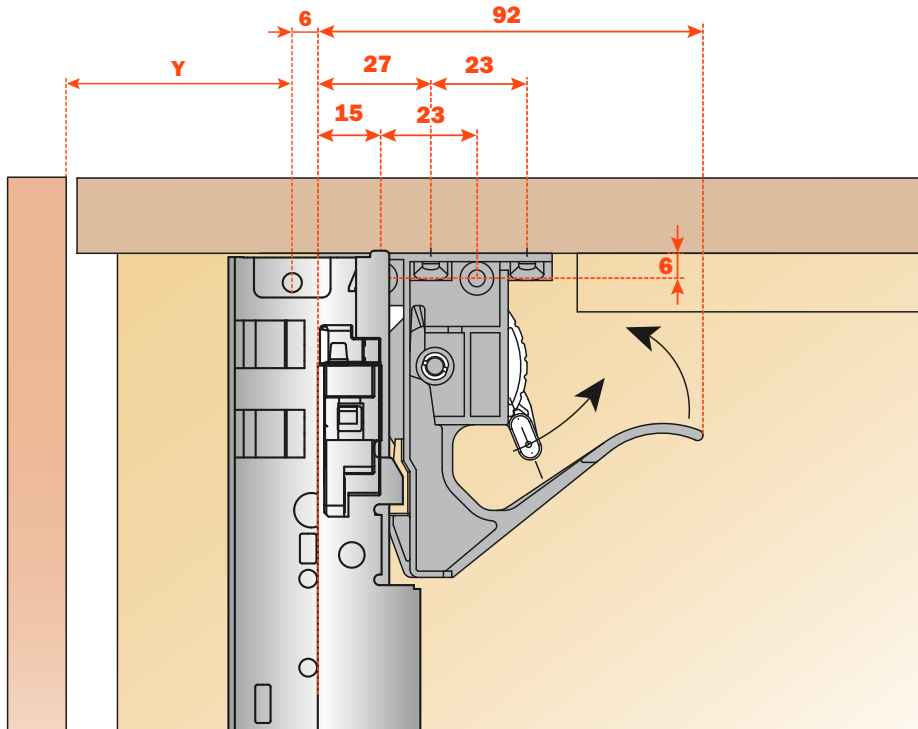
With very large shelves, it is possible to increase the number of runners, in order to improve the load capacity and the stability of the shelf.



Y = Min. 15 mm

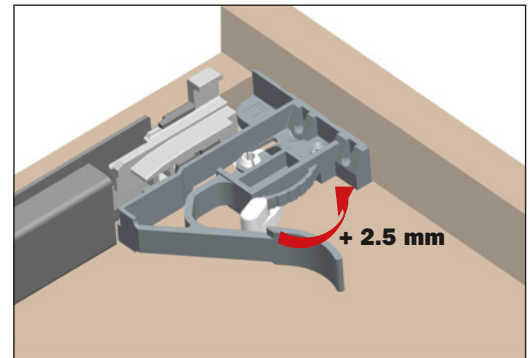
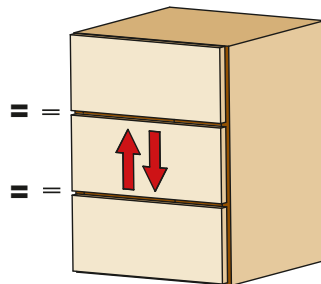
## Clip fixing

Y = Min. 15 mm



## Shelf adjustment

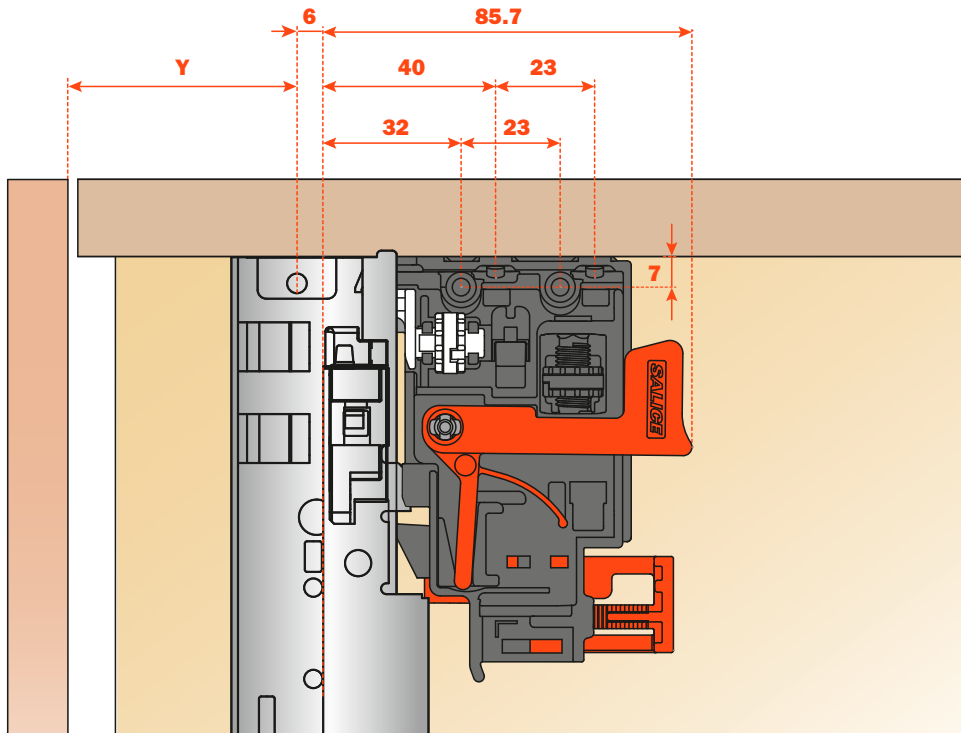
Shelf height adjustment  
(+ 2,5 mm) using the lever  
indicated



# Shelf - 3 way adjustable clip

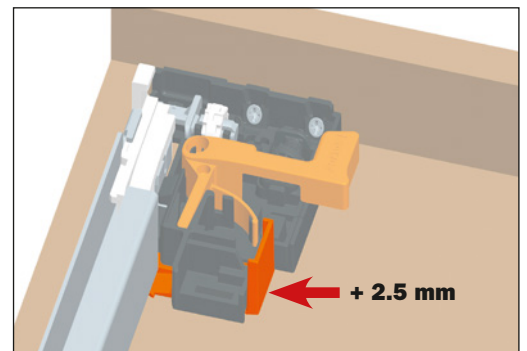
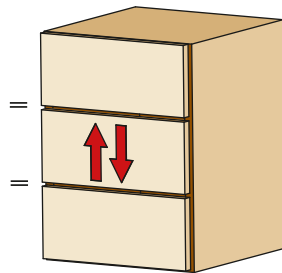
## Clip fixing

Y = Min. 15 mm

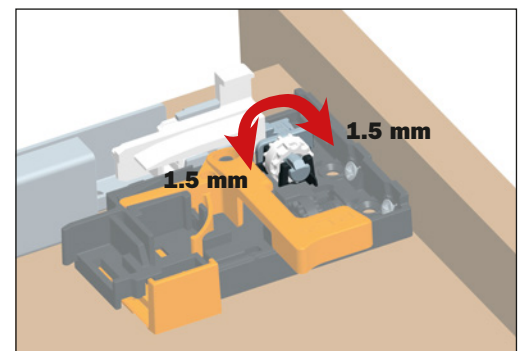
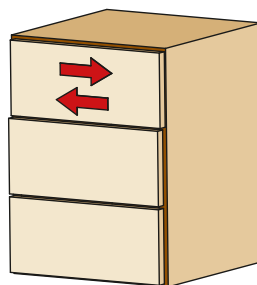


## Shelf adjustment

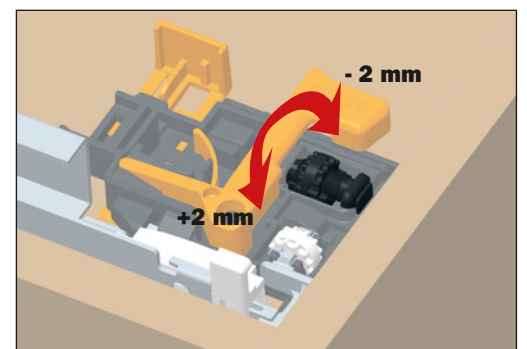
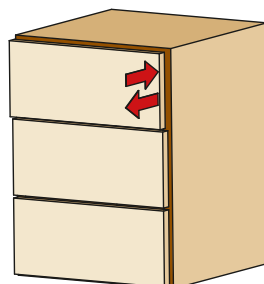
Height adjustment  
+ 2.5 mm



Sideways adjustment  
+ 1.5 mm - 1.5 mm



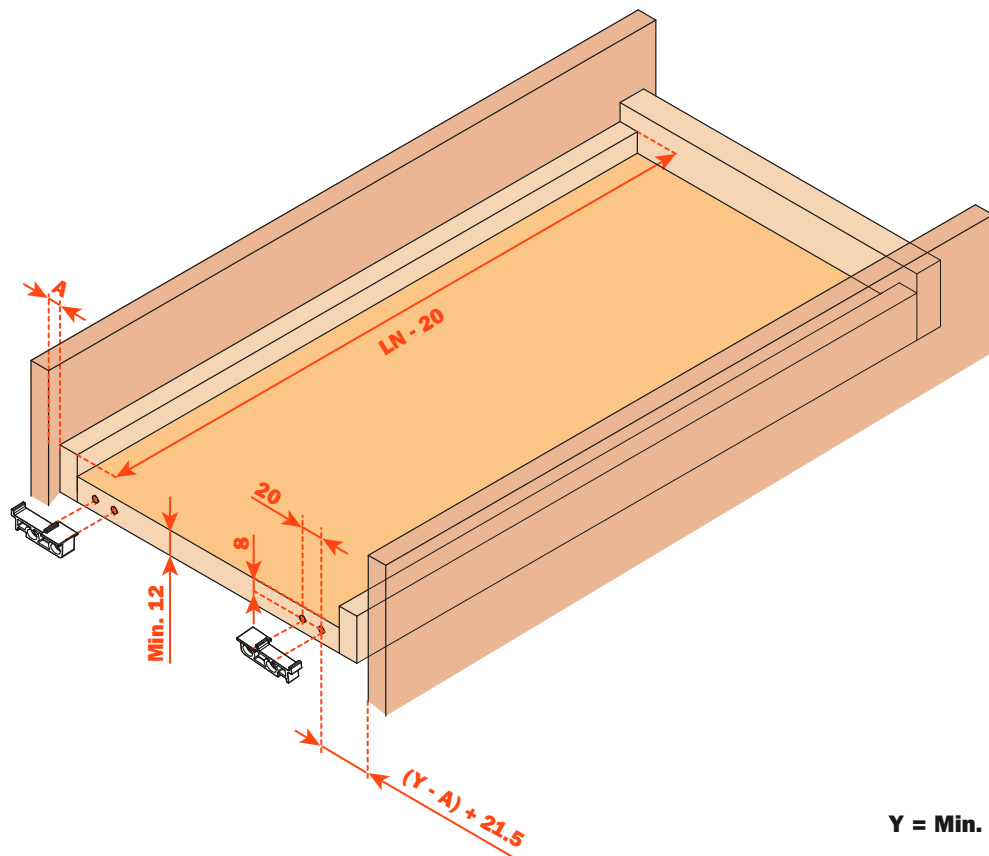
Depth adjustment  
+ 2 mm - 2 mm



# Shelf - Fixing of the support for the rear hook

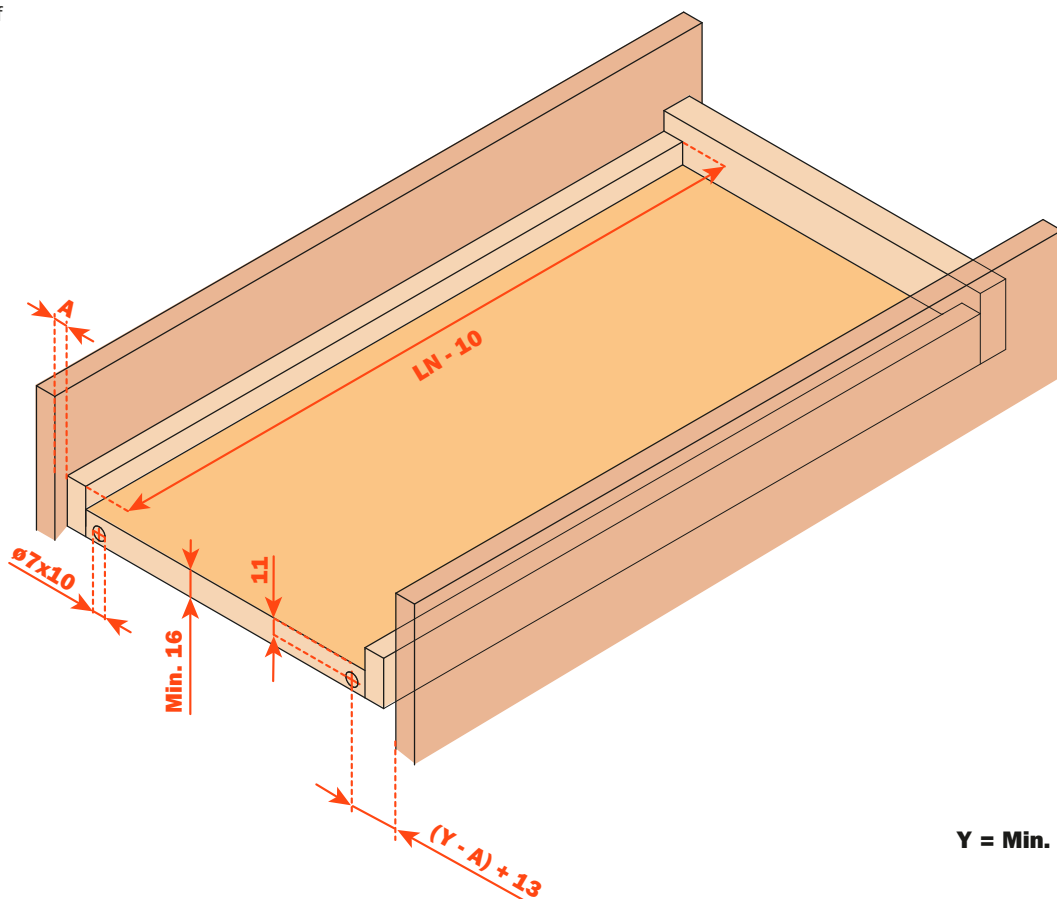
## Fixing on the pull-out shelf with a minimum thickness of 12 mm

Rear fixing on shelf



## Fixing on the pull-out shelf with a minimum thickness of 16 mm

Rear fixing on shelf



## Packing

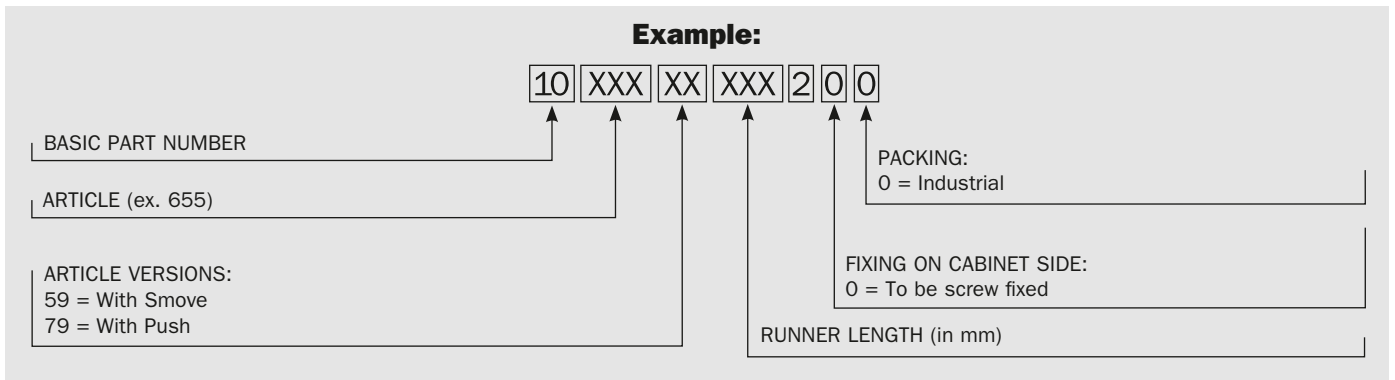
**Boxes = 20 pairs**

**Pallets:**

FULL EXTENSION		
ARTICLE	LENGTH	PACKING
65579 PUSH	from 350 to 400	400 prs
65579 PUSH	from 450 to 600	320 prs
65559 SMOVE	from 350 to 400	300 prs
65559 SMOVE	from 450 to 600	280 prs



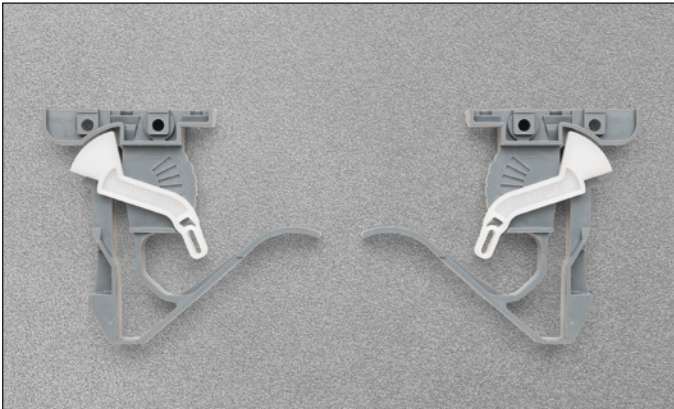
### Part number composition - runners



**1 0 710 00 010 1 0 0**

**Shelf clip**

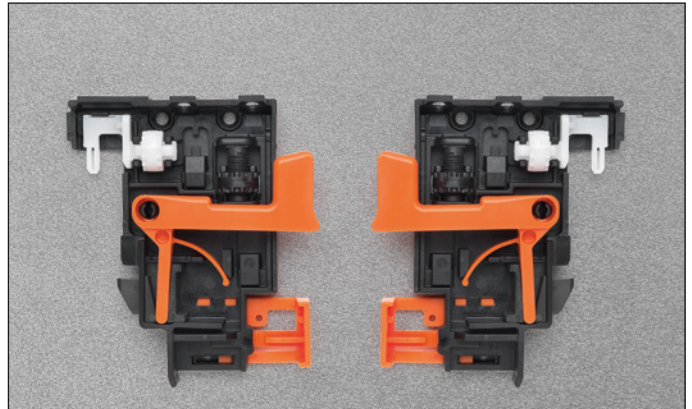
**Packing = 100 pairs**



**1 0 750 00 010 1 0 0**

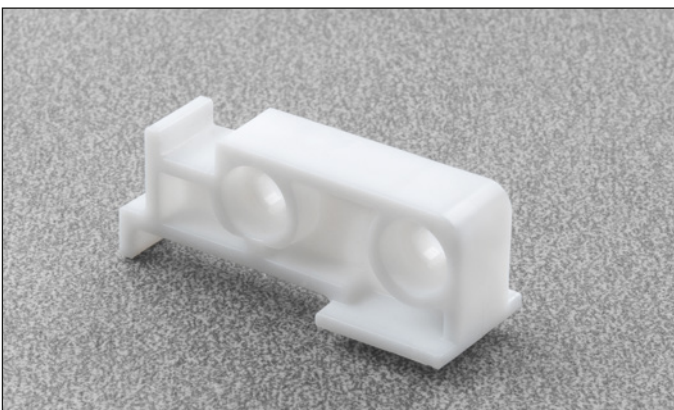
**Shelf with 3 way adjustable clip.**

**Packing = 100 pairs**



**825650000**

**Support for the rear hook**



**Industrial packing = 200 pcs.**

With shelves of reduced thickness, min.12 mm, the runner can be used together with the support for the rear hook, thus eliminating the need for the rear hole in the shelf.

## Shelf - Lock-open function for runners and drawers

### AROSXXY

The shelf is held at the maximum opening position by means of a rear-fixed bracket and a magnet.

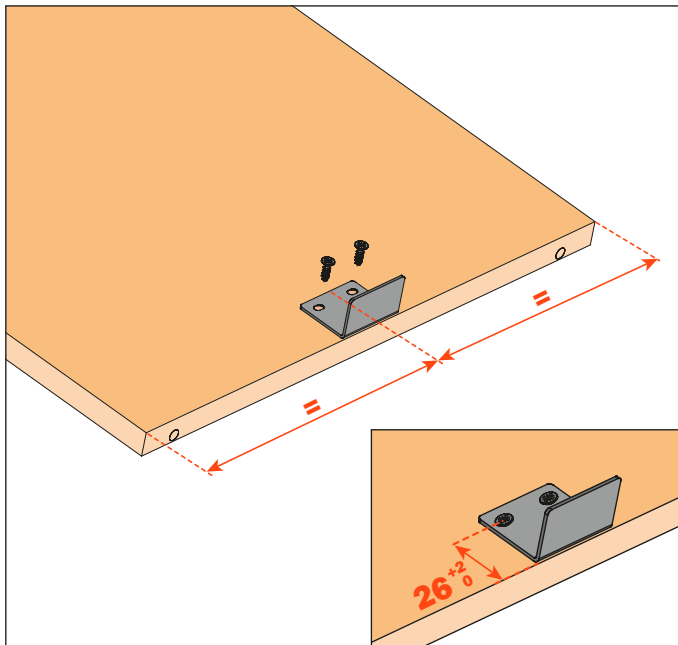
**Packing = 20 magnets, 20 brackets. Screws included.**



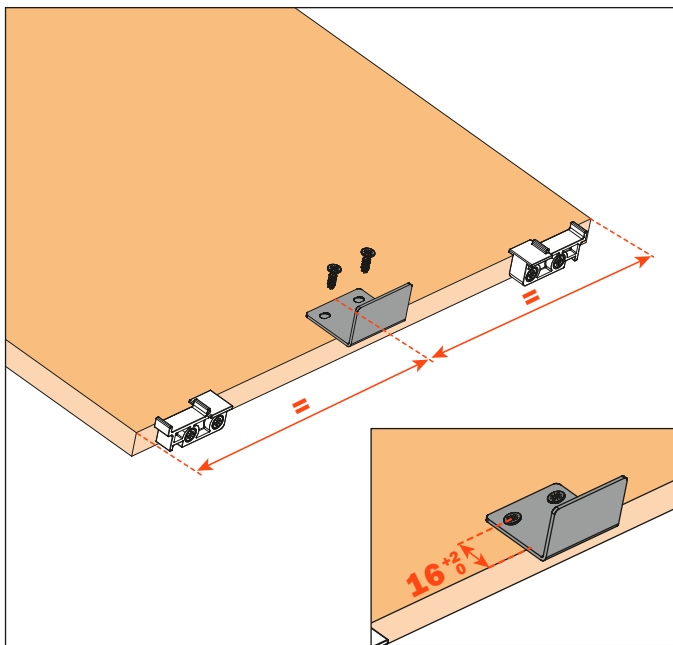


## Assembly instructions

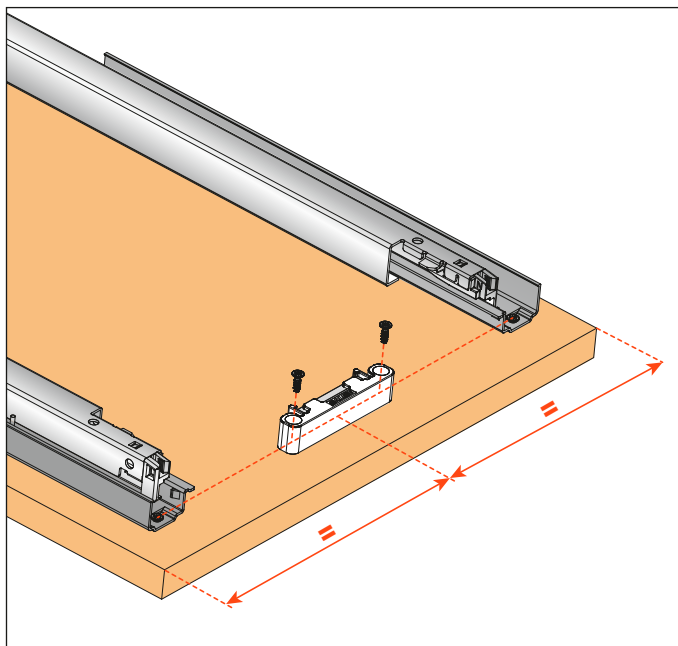
1 A) Fixing the bracket, aligned with the back of the shelf.



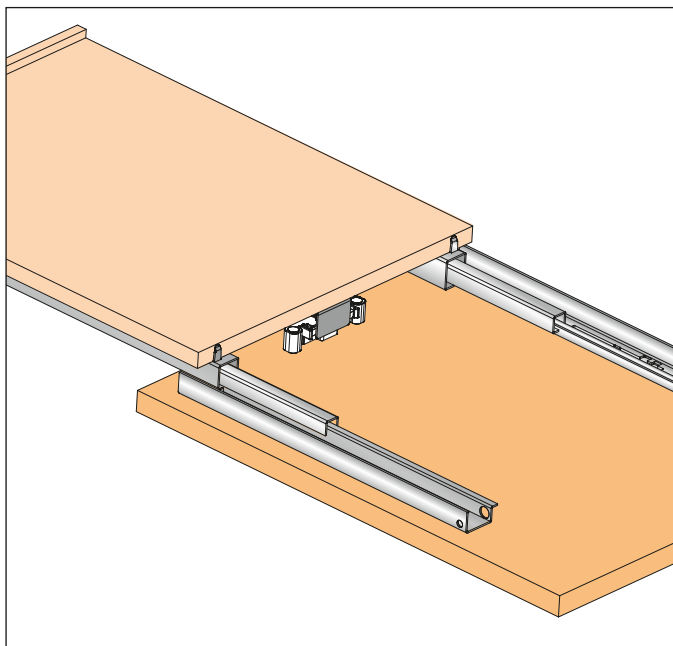
1 B) Fixing the bracket to the shelf with the support for the rear hook. In this case, the bracket must be aligned to the support for the rear hook.



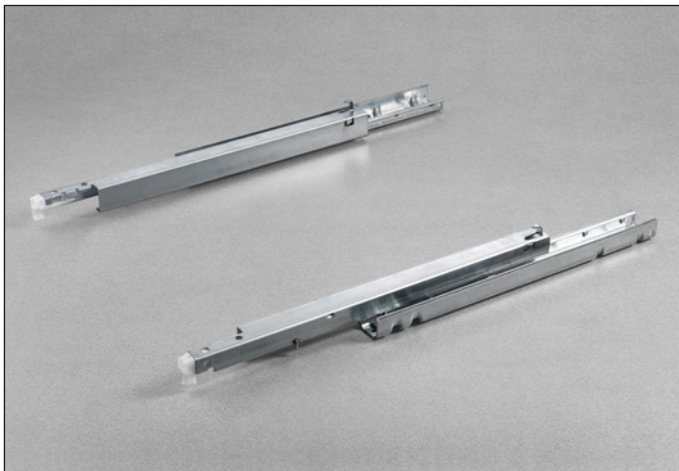
2) Fixing the magnet to the bottom.



3) The shelf is held at the maximum opening position.



## Shelf - Smove 65559 - Concealed runner

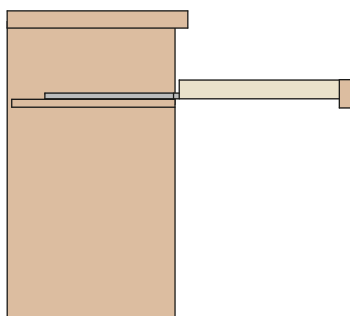


**Full-extension runner fixed to the shelf by clip.**

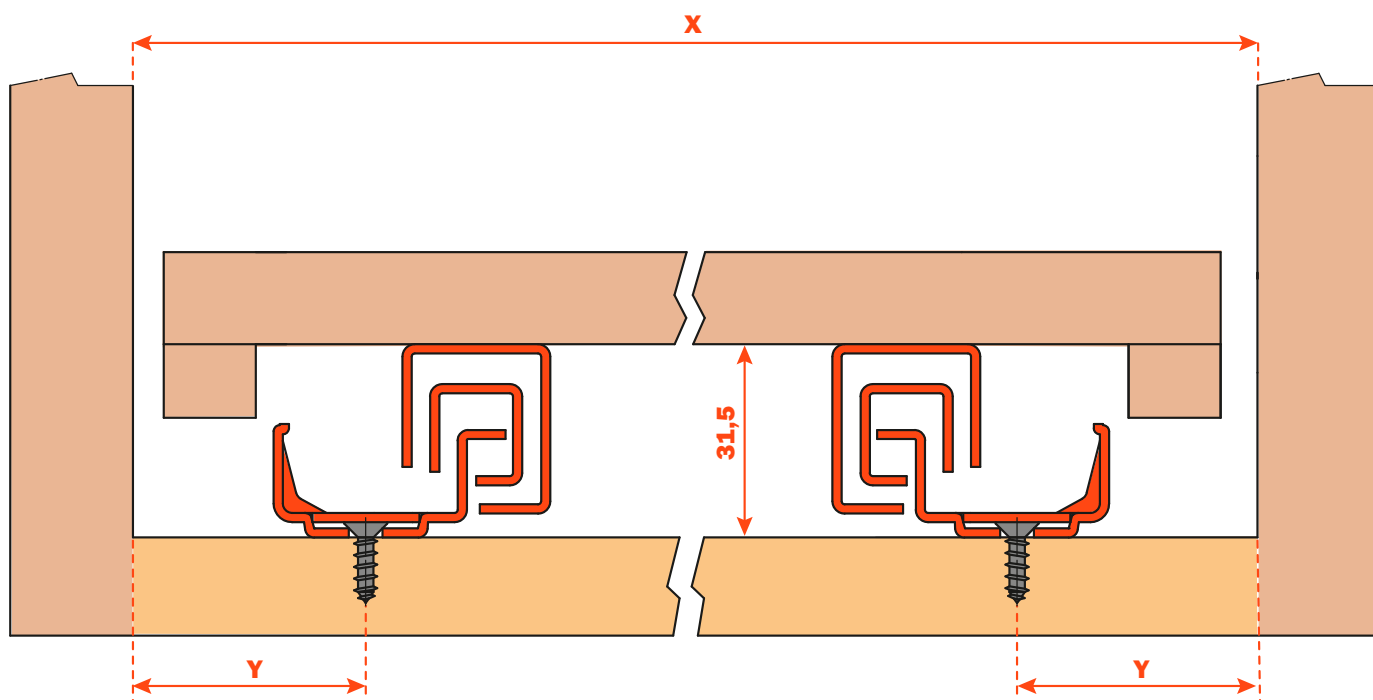
**Smove: fully integrated in the runner, decelerates the closing action of the shelf.**

### Product features

- Dynamic load capacity N 294 (Kg 30).
- Smove decelerated closing.
- Safety system that prevents the shelves from turning over.
- Shelf height adjustment +2.5 mm with clip 10 710.
- Shelf height adjustment +2.5 mm, side adjustment  $\pm 1.5$  mm, depth adjustment  $\pm 2$  mm with clip 10 750.
- Finish: bright zinc-plated.

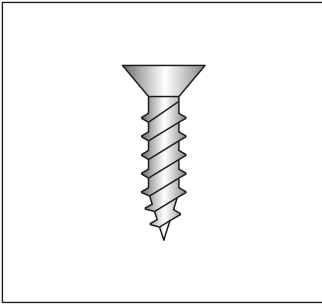


### Dimensions



**Y = Min. 15 mm**

## Part number

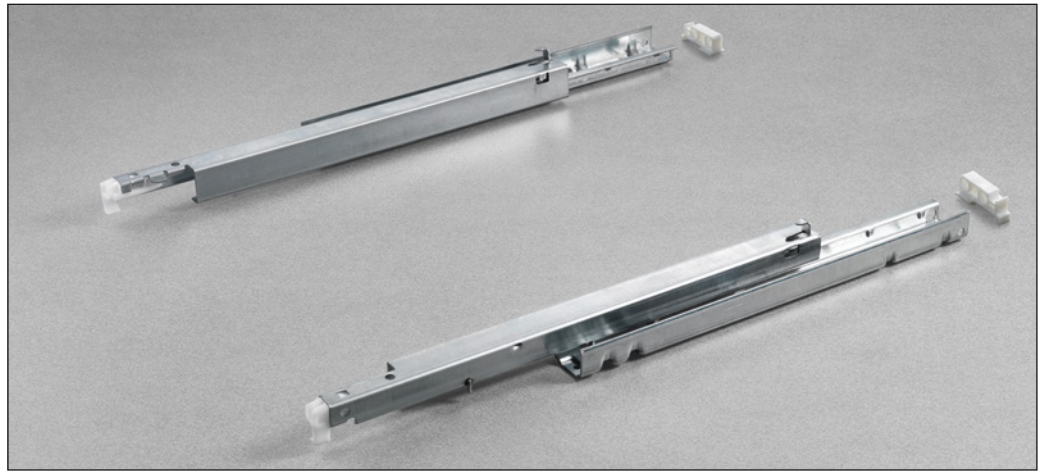


To be screw fixed  
Screw TSP  $\varnothing$  3,5 mm

BASIC PART NUMBER	RUNNER LENGTH (LN)	=	MIN. DEPTH OF THE CABINET (PM)
1 0 655 59 350 2 0 0	350		360
1 0 655 59 400 2 0 0	400		410
1 0 655 59 450 2 0 0	450		460
1 0 655 59 470 2 0 0	470		480
1 0 655 59 500 2 0 0	500		510
1 0 655 59 550 2 0 0	550		555
1 0 655 59 600 2 0 0	600		605

## Support for the rear hook

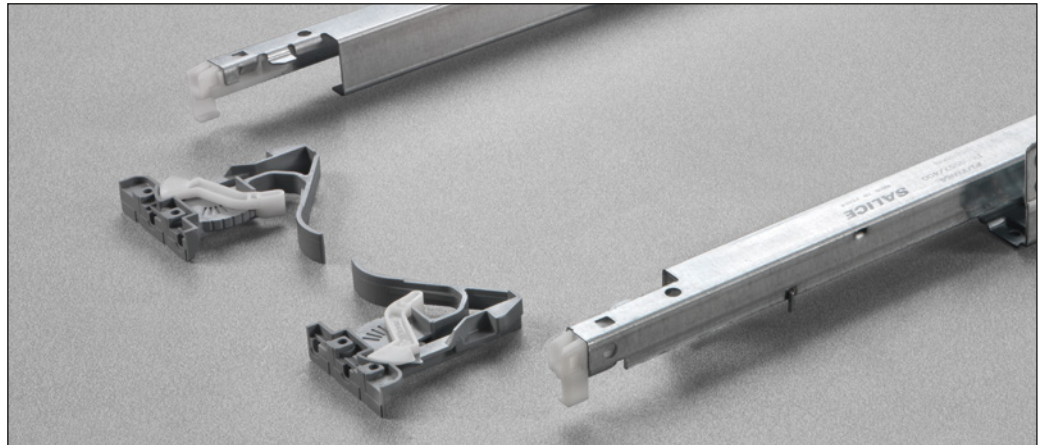
**Part number**  
**825650000**



## Fixing the shelf onto the runners

**Clip part number**  
**1 0 710 00 010 1 0 0**

Detail of the clip with tool free integrated height adjustment.



**Clip part number**  
**1 0 750 00 010 1 0 0**

Detail of the tool free integrated 3-way adjustment clip (height, depth and side adjustment).

