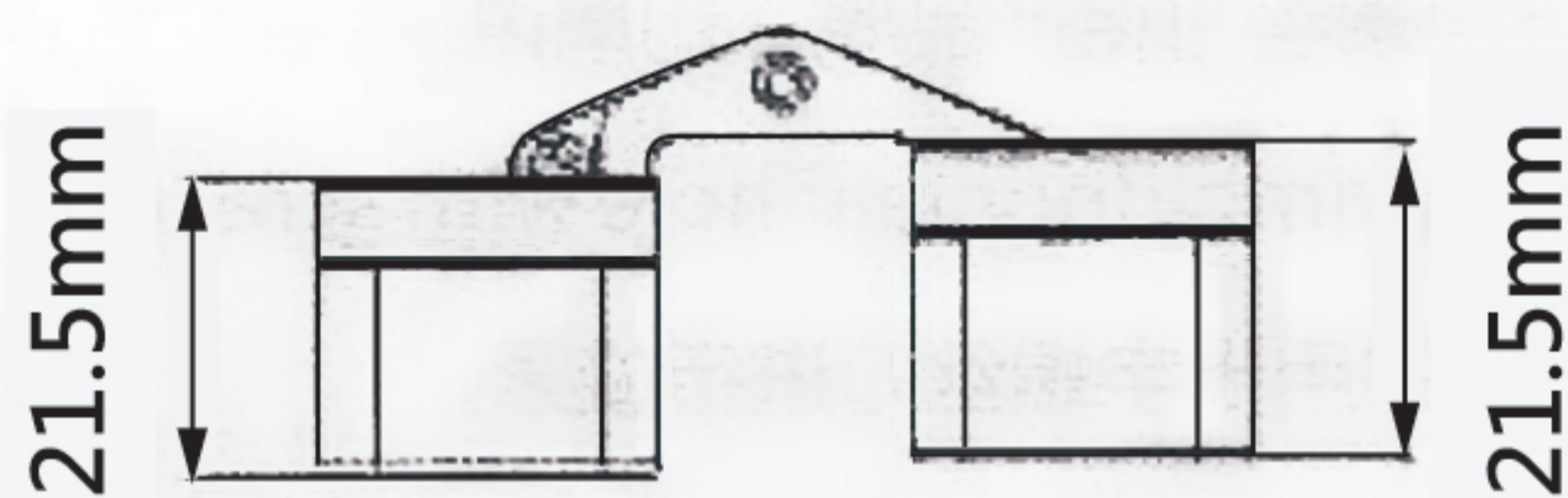




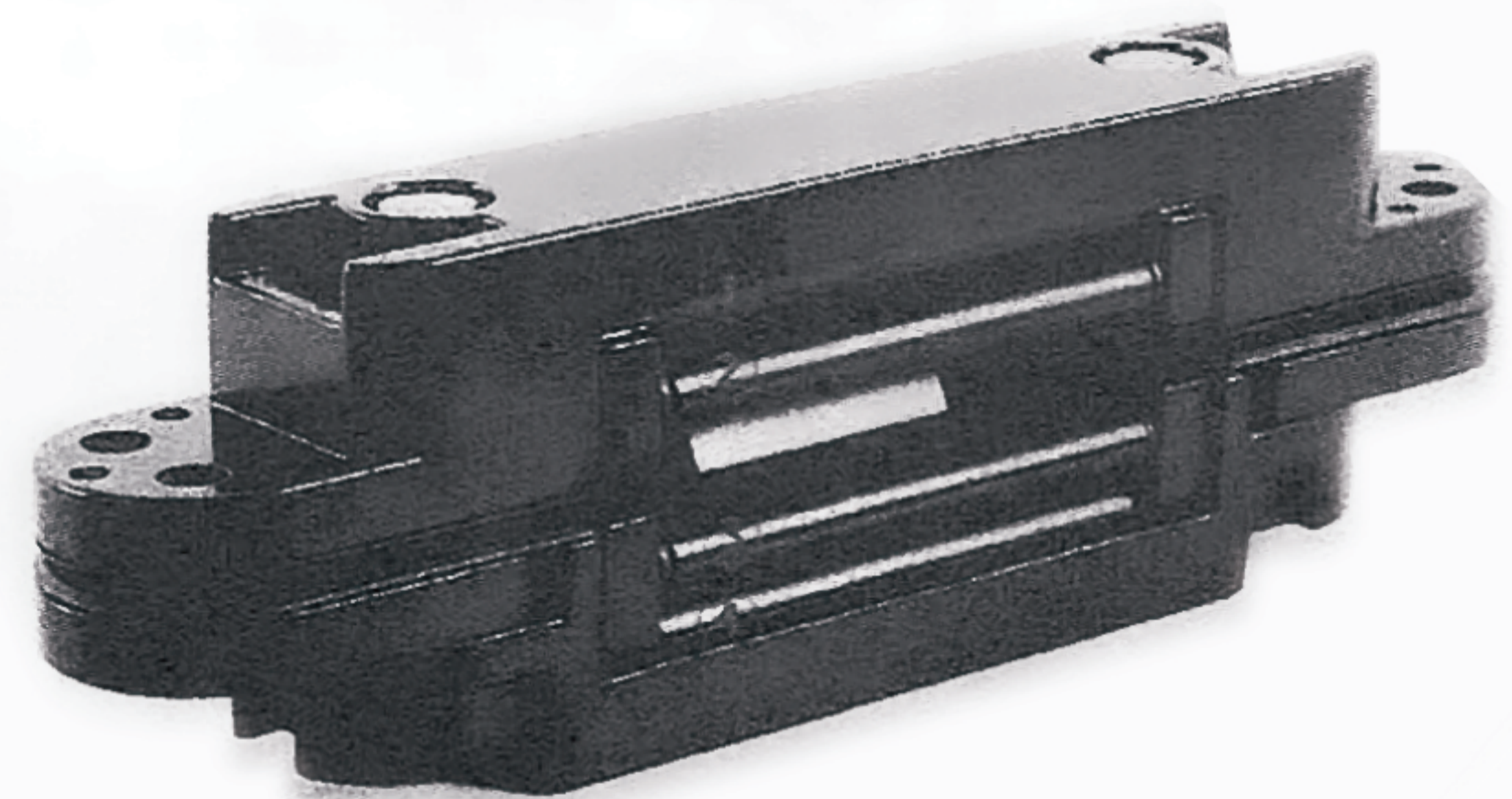
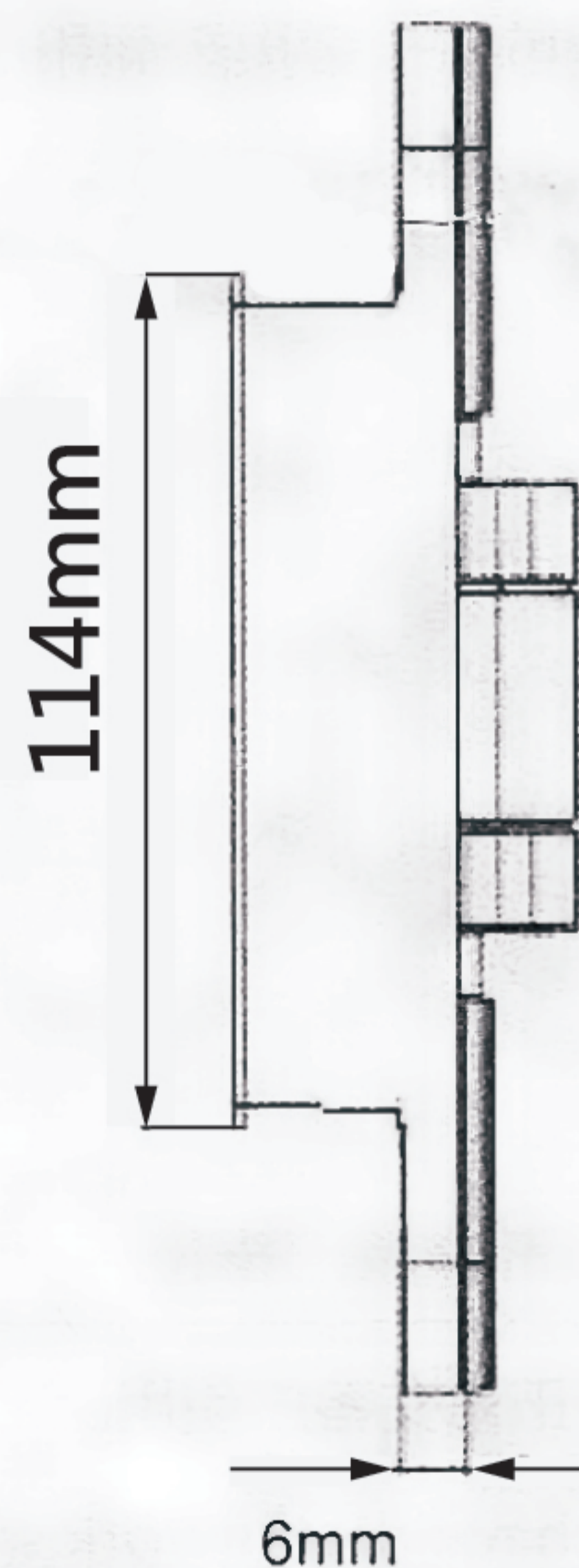
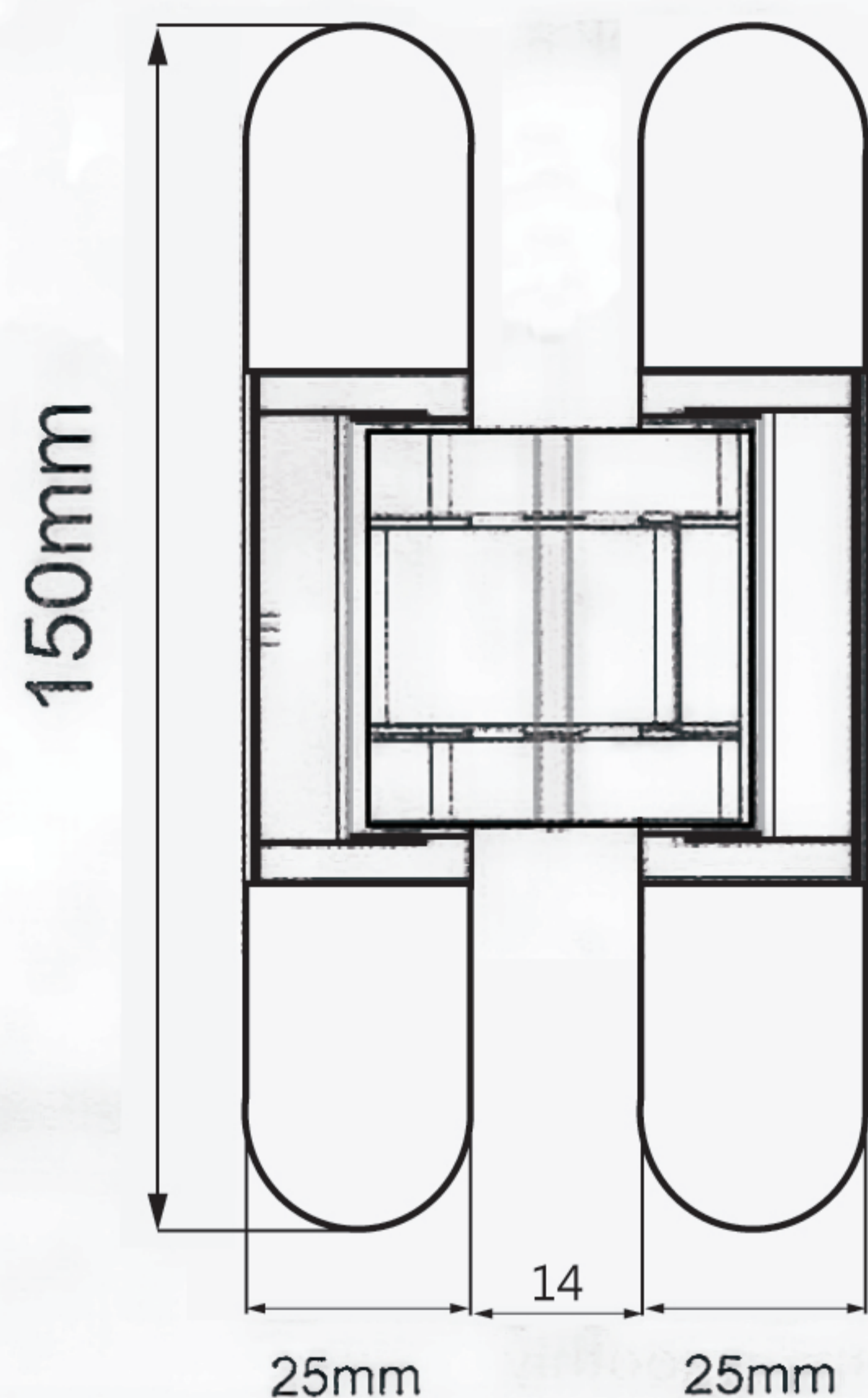


三維可調隱形鉸鍊/3D Adjustable Concealed Hinge 150X25mm 鋅合金/Zinc Alloy



四軸加厚支撐臂

- 
 四軸支撐
- 
 受力均勻
- 
 三維調節
- 
 開合靜音



- | | |
|--|--|
| <ul style="list-style-type: none"> • 最大承重/Max door weight : • 開啟角度/Max opening angle : • 門寬/Max door width : • 門高/Max door height : • 門板厚度/Min door thickness : • 調節性能/Adjustment function : | <p>40kg (2支暗鉸鍊承重/bearing weight of 2 hinges)</p> <p>≤180°</p> <p>≤850mm</p> <p>≤2286mm</p> <p>35~40mm</p> <p>三維可調 上下+3.0mm,前後+1.0mm,左右+2.0mm</p> |
|--|--|



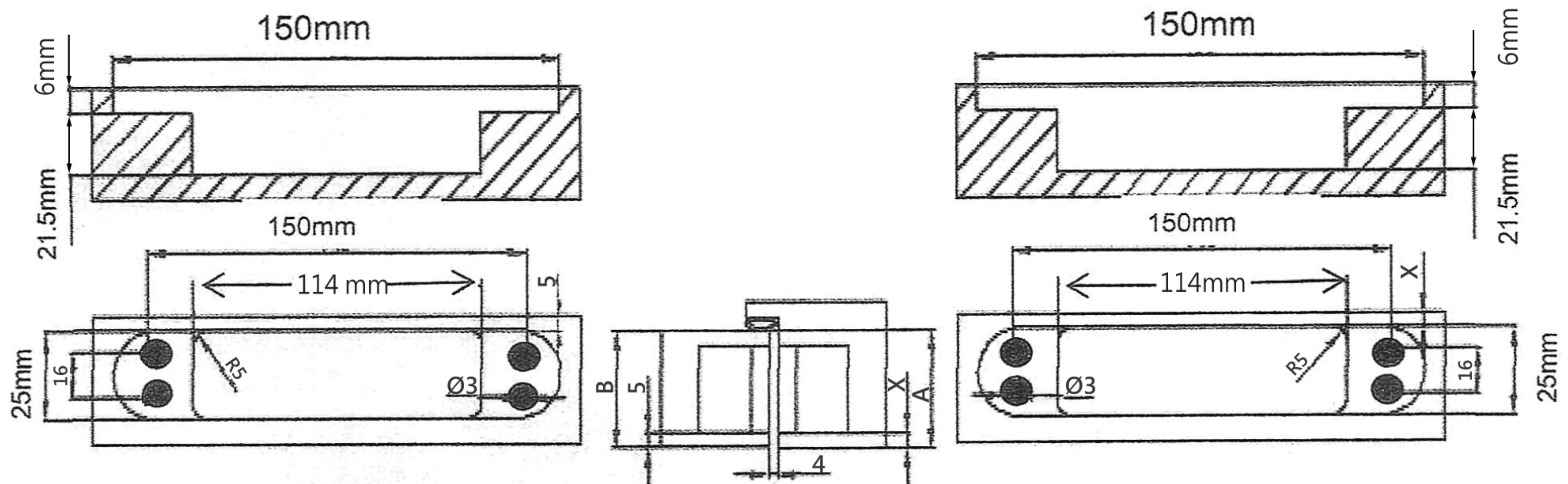
包裝內含/Package:2支暗鉸鍊/2hinges,螺絲工具包/accessory screws&tools,說明書/Instruction



安裝說明書 / Installation instructions

1

按照下圖所示在門扇和門框上開槽/Make a slot on door leaf and door frame as the picture shown.



門扇與門框開孔尺寸/ Hole dimension of door leaf & door frame

A=密封條到門框邊的深度/ The depth between seal and door frame B=門扇厚度/ The thickness of door leaf
A-B+5=測量X值 (X值規定範圍為 5~8 mm/ X range is 5~8 mm)

步驟1: 如圖①將標有“Door”字樣邊裝於門扇所開孔內，使用十字螺絲刀將產品收入門扇內；

Step 1: As the picture①, use cross screwdriver to install the hinge into door leaf hole with screws.

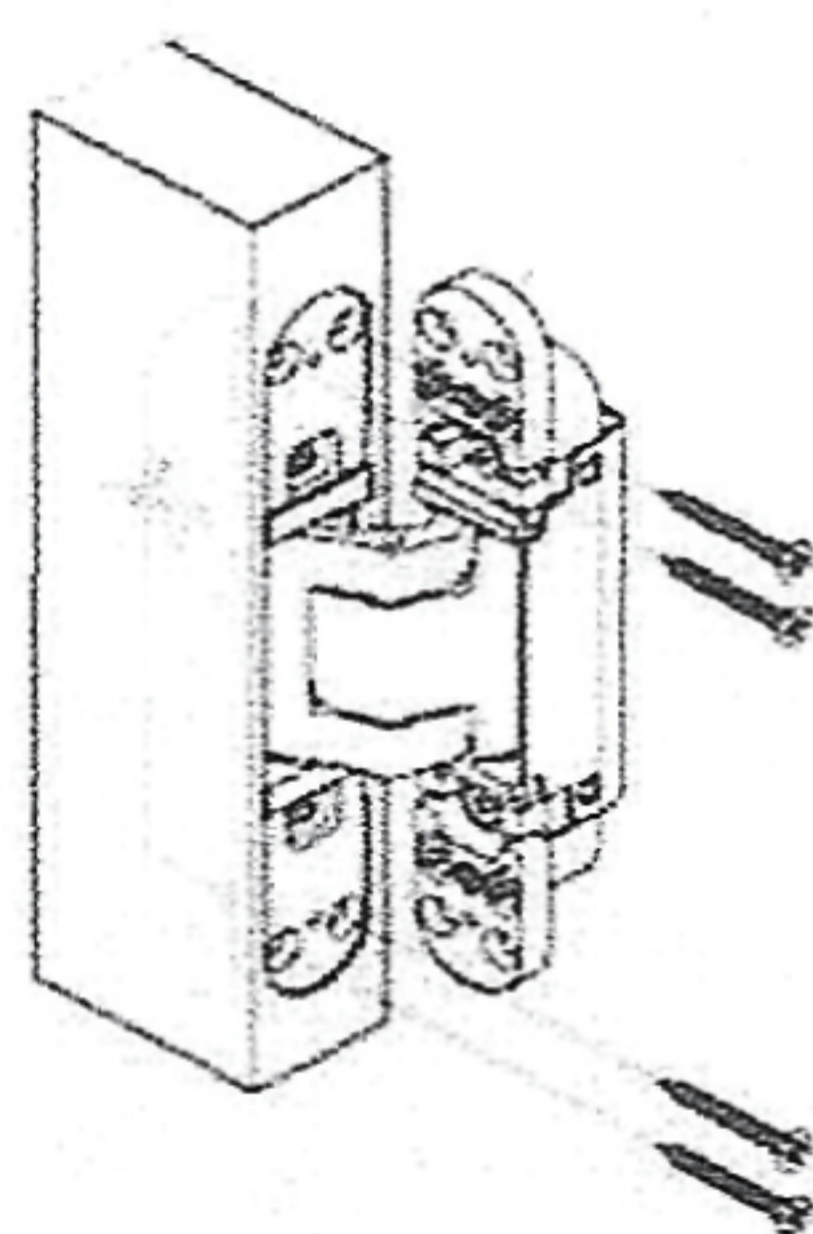
步驟2: 如圖②將裝好產品的門扇對應位置裝於已開好孔的門框內，並用十字螺絲刀進行旋緊。

Step 2: As the picture②, use cross screwdriver to install the door leaf with hinge into door frame hole with screws.

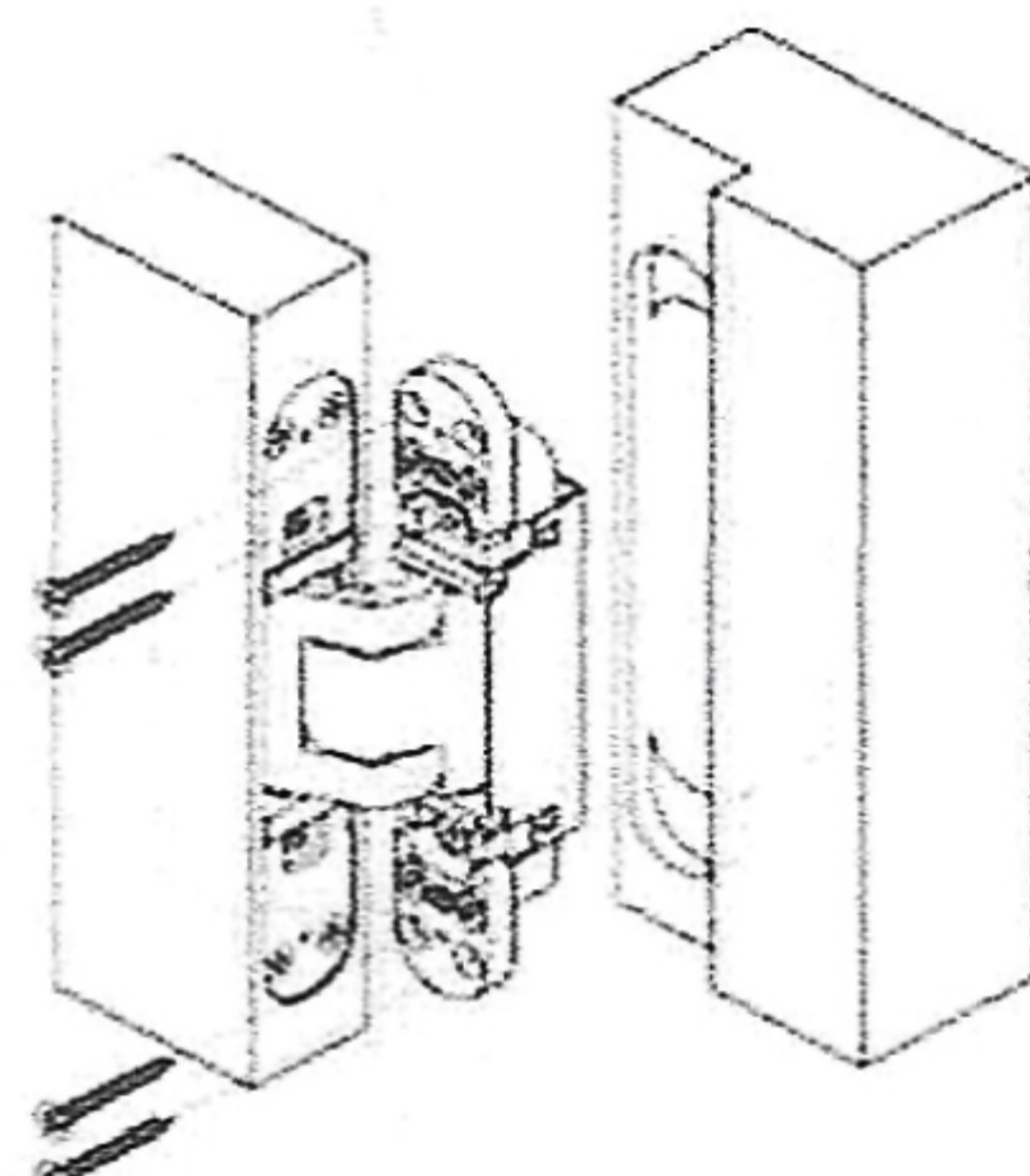
步驟3 安裝並調試完成後，保證合頁安裝牢固可靠，合頁表面合門框、門扇側面平齊。

Step 3: Overall check to ensure that all parts are installed tightly after installment and adjustment.

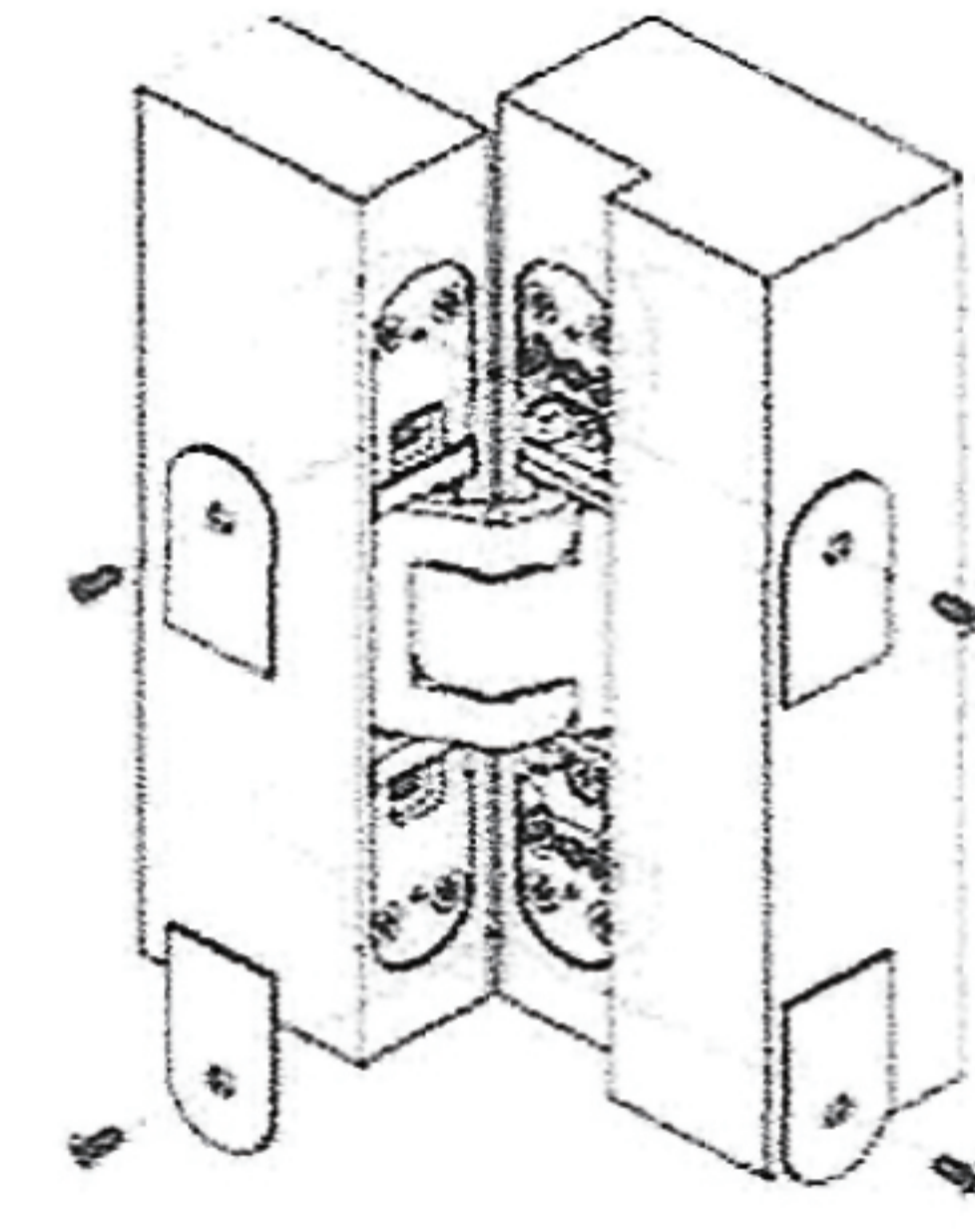
2



①先安裝門上



②再安裝門框側



③調節好後裝上裝飾蓋

步驟4: 反覆操作門扇開啟合閉多次，檢查一切正常交客戶使用。

Step 4: Open and close for several times to check that it work safely and smoothly.

3

調節示意/ Adjustment: 上下/Up&Down: 13.0mm, 前後/In&Out: ±1.0mm, 左右/Left&Right: ±2.0mm

