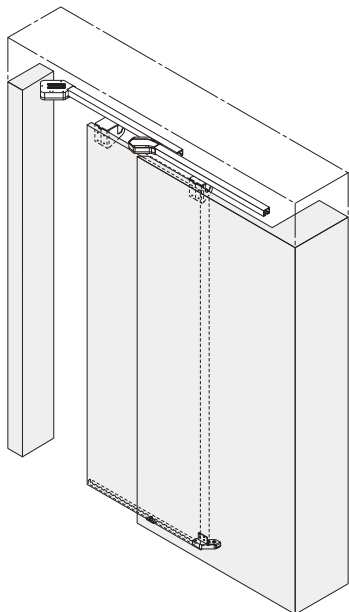


Thank you for purchasing Sugatsune's MonoFlat UNISON Neo flush sliding door system (hereinafter referred to as "Product").



■ About this manual

- Prior to installation, read this manual carefully for best possible results.
- After installation is completed, hand this manual over to the owner for future reference.

■ Disclaimer

- This product is for indoor use only. Do not use in wet environments such as showers.
- Before installation, please ensure that all parts as shown on page 3 are in the box. Should any part be missing, please contact your local supplier.
- Sugatsune liability is limited to the replacement or repair of any defective part. It will in no case extend to the installation or assembly as a whole.
- Sugatsune's warranty extends to a one year period after delivery date. Should you have any problem within this period, please contact you local distributor.

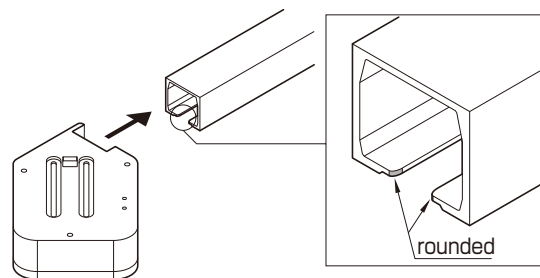
⚠ Caution ⚠

■ Guide Blocks

Never attempt to open or disassemble guide block [1] and [2]

■ Upper rails installation

The rounded end of the upper rails [3] must face towards the guide blocks [1] and [2]

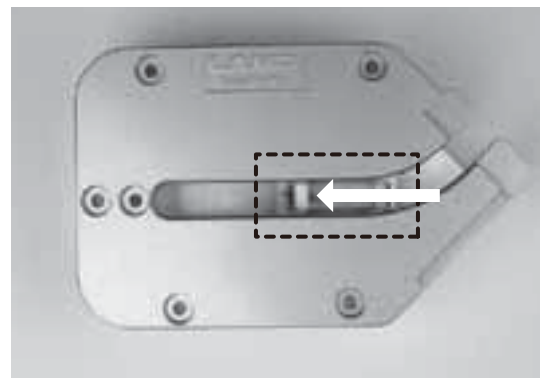


■ Lock plate

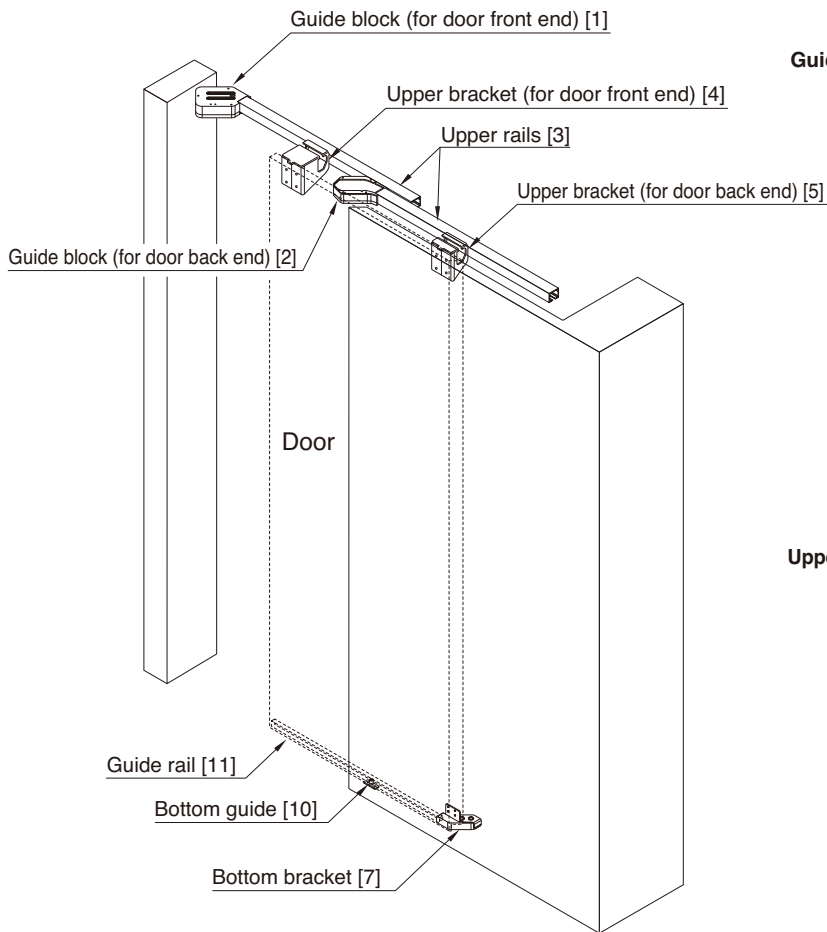
Before installation, ensure that the lock plate of front guide block [1] shown in the dotted square is on the left as indicated on the picture.

■ Upper stopper

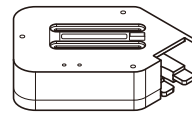
Upper stopper [6] must be installed in the upper rail [3] (page 5).



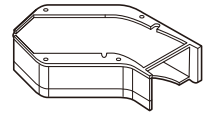
Parts Details (This figure shows the left-handed opening type. The right-handed opening type is a mirror image thereof.)



Guide block (for door front end) [1] Guide block (for door back end) [2]

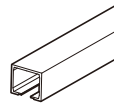


1 pc.



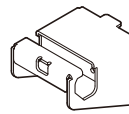
1 pc.

Upper rails [3]

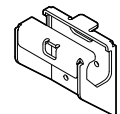


2 pcs.

Upper bracket (for door front end) [4] Upper bracket (for door back end) [5]



1 pc.



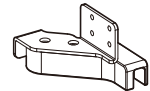
1 pc.

Upper stopper [6]



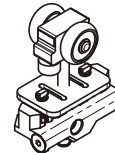
1 pc.

Bottom bracket [7]

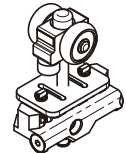


1 pc.

Door roller (for door front end) [8] Door roller (for door back end) [9]



1 pc.



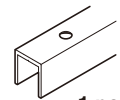
1 pc.

Bottom guide [10]



1 pc.

Guide rail [11]



1 pc.

Specifications

Door Width (DW): 800 to 1,000 mm

Door Height (DH): Max. 2,500 mm

Door Thickness (DT): 28 to 30 mm

Door Weight: 30 kg or lighter (20 kg or heavier is recommended)

Adjustment Margin: [Back/Front] ±3.5 mm, [Left/Right] ±4 mm, [Up/Down] ±4 mm

Screws included with Product

Cross-recessed blind-tapping screw 4 x 30 [11] ··· 10 pcs. (for upper rails [3])

Cross-recessed round head wood screw 4.1 x 20 [12] ··· 16 pcs. (for guide block [for door back end] [2], upper bracket (for door stop end) [4], upper bracket (for door back end) [5], and bottom bracket [7])

Cross-recessed oval head tapping screw 3.1 x 20 [13] ··· 4 pcs. (for bottom guide [10])

Cross-recessed head wood screw (coarse thread) 4.2 x 65 [14] ··· 3 pcs. (for guide block [for door stop end] [1])

Cross-recessed flat head wood screw 4.1 x 20 [15] ··· 4 pcs. (for guide rail [11])

Items to be prepared by the installer

■Panels

· Face plates (Unit: mm)

Size of face plate on the obverse side of door: Width = 60, Length = DW - 18, Thickness = 13 or thinner

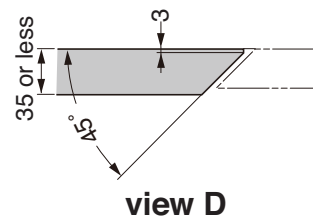
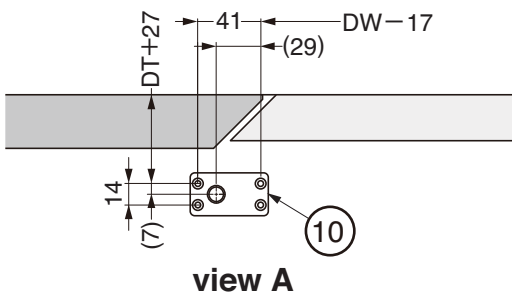
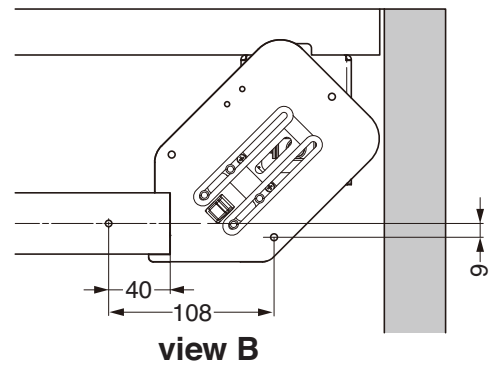
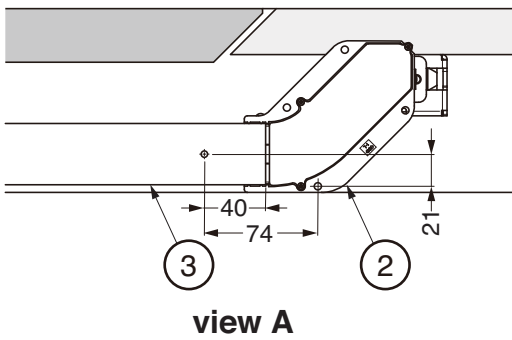
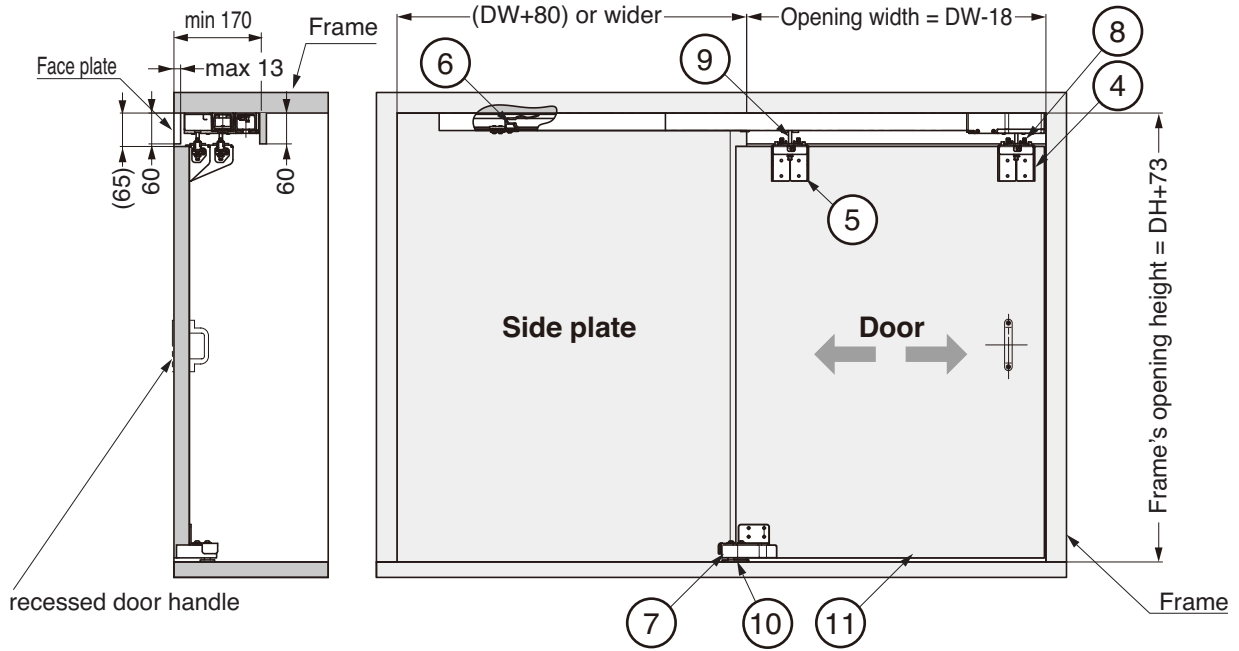
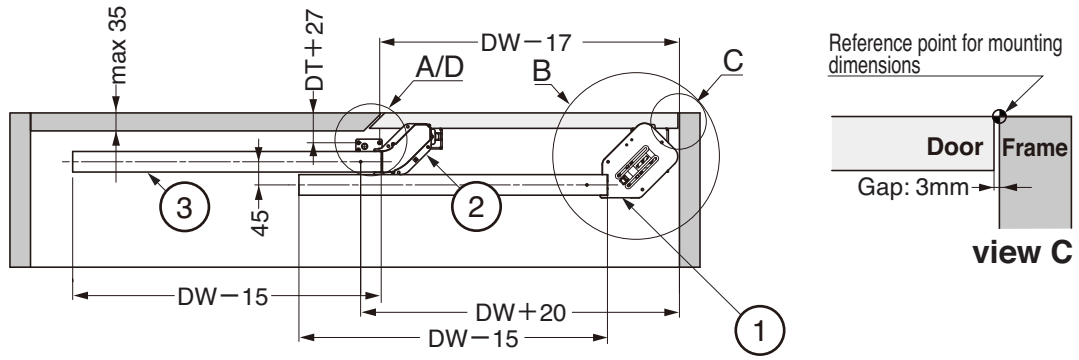
Size of face plate on the reverse side of door: Width = 60, Length = Optional,

Thickness = Optional

■Tools

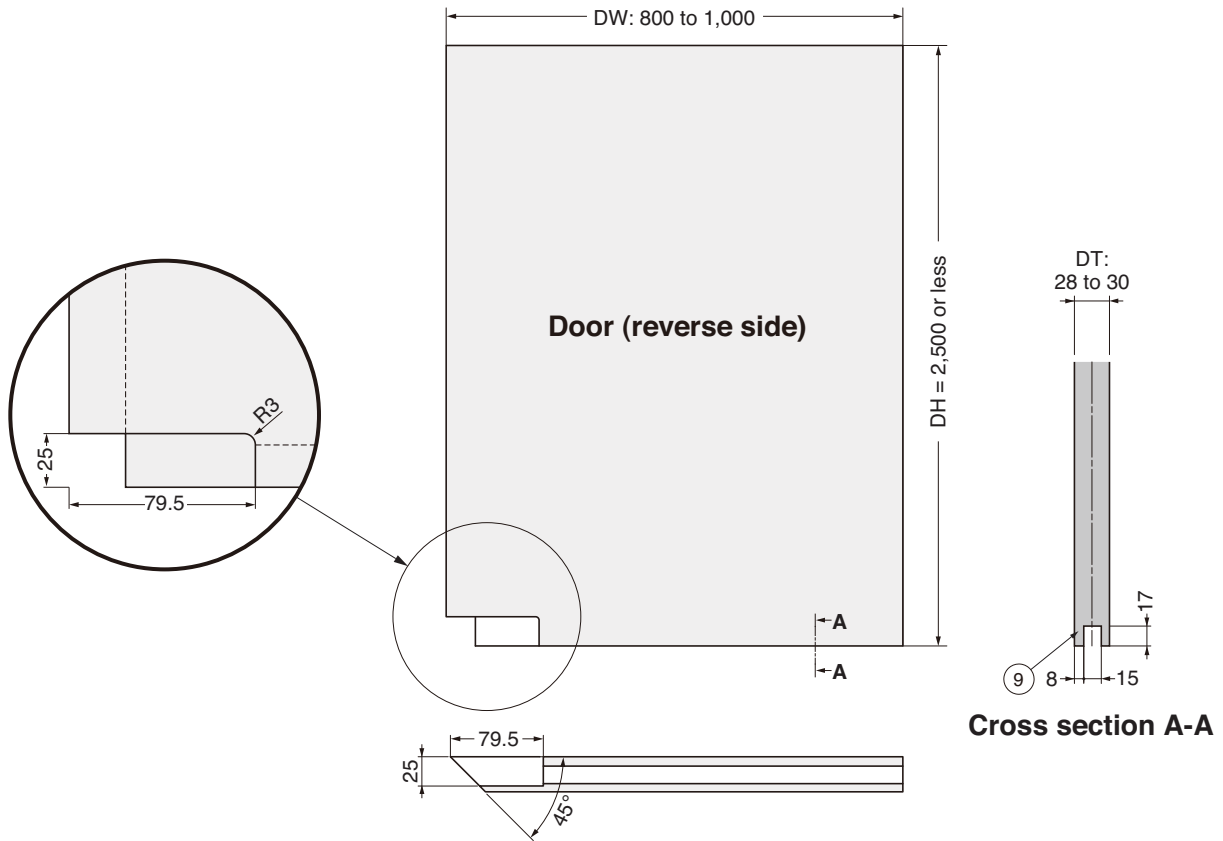
· Cross slot screwdriver (No.2), wrench (10), hexagonal wrench keys (3 and 4)

Measurement Example of Installation and Processing (This figure shows the left-handed opening type. The right-handed opening type is a mirror image thereof.)



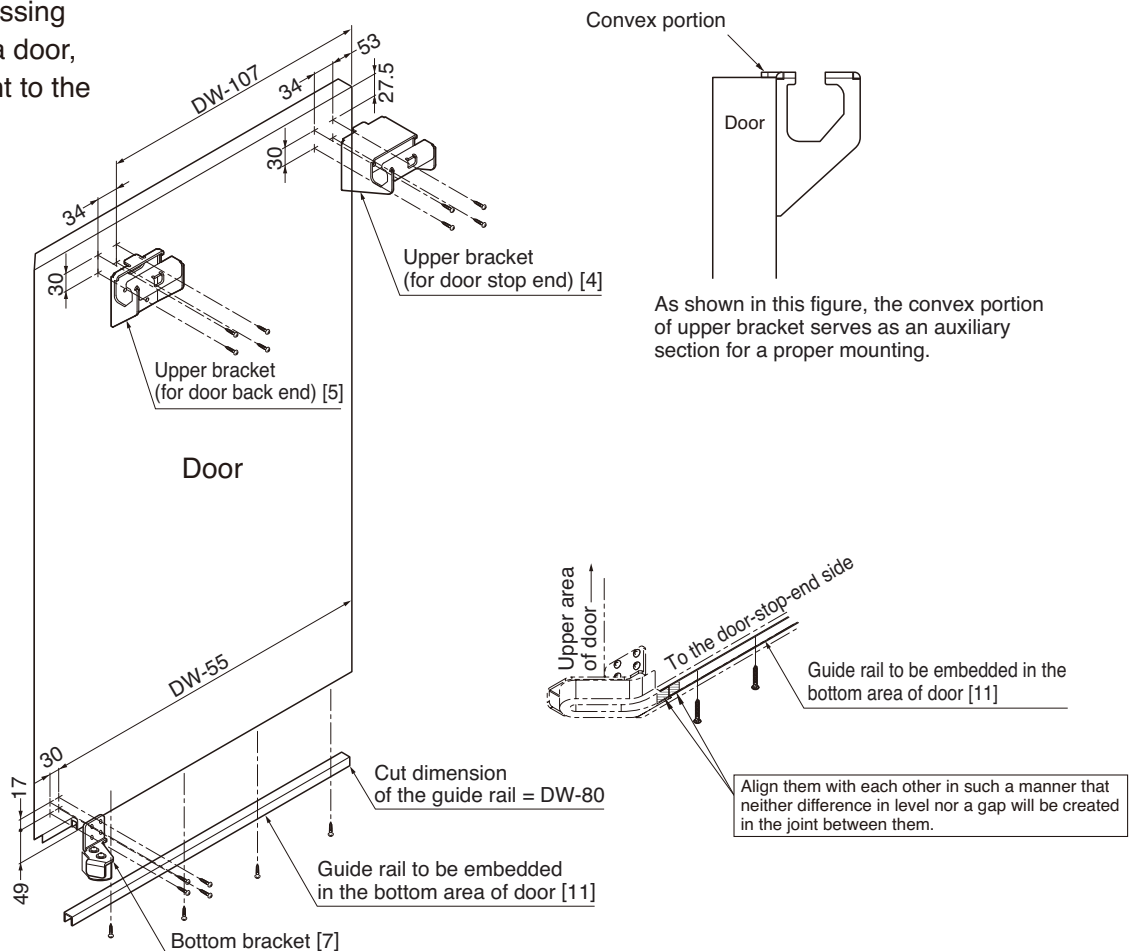
■ Procedures to fabricate door into the specified size

Please fabricate the door into the specified size as shown below.



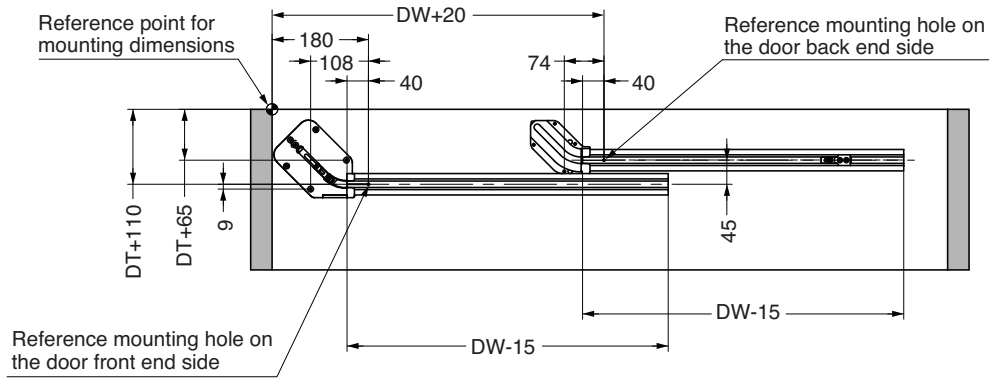
■ Installing components onto door

According to the processing dimension drawing of a door, mount each component to the door, as shown below.

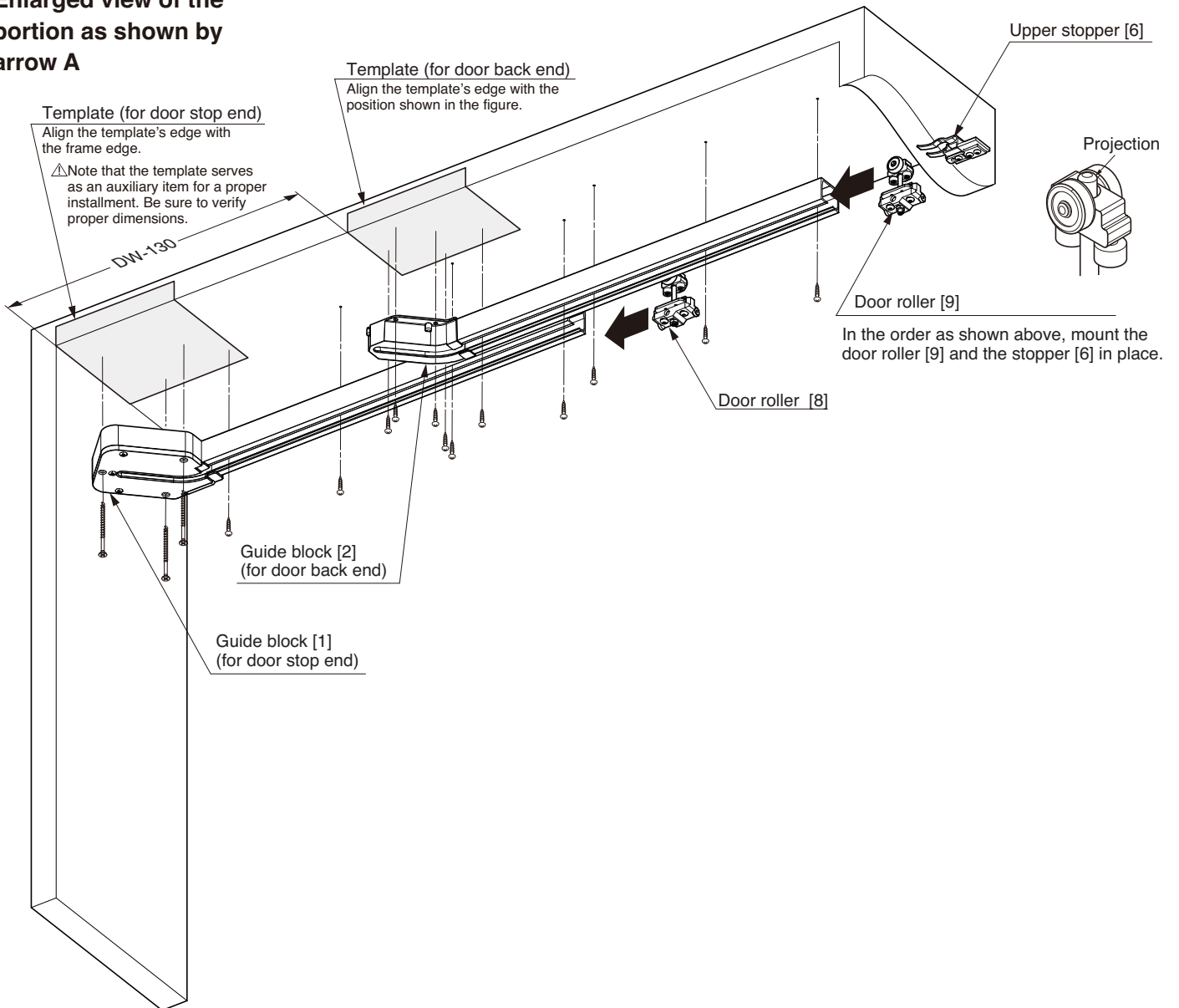


■ Installing components onto frame

According to the processing dimension drawing of a frame, mount each component to the frame, as shown below.



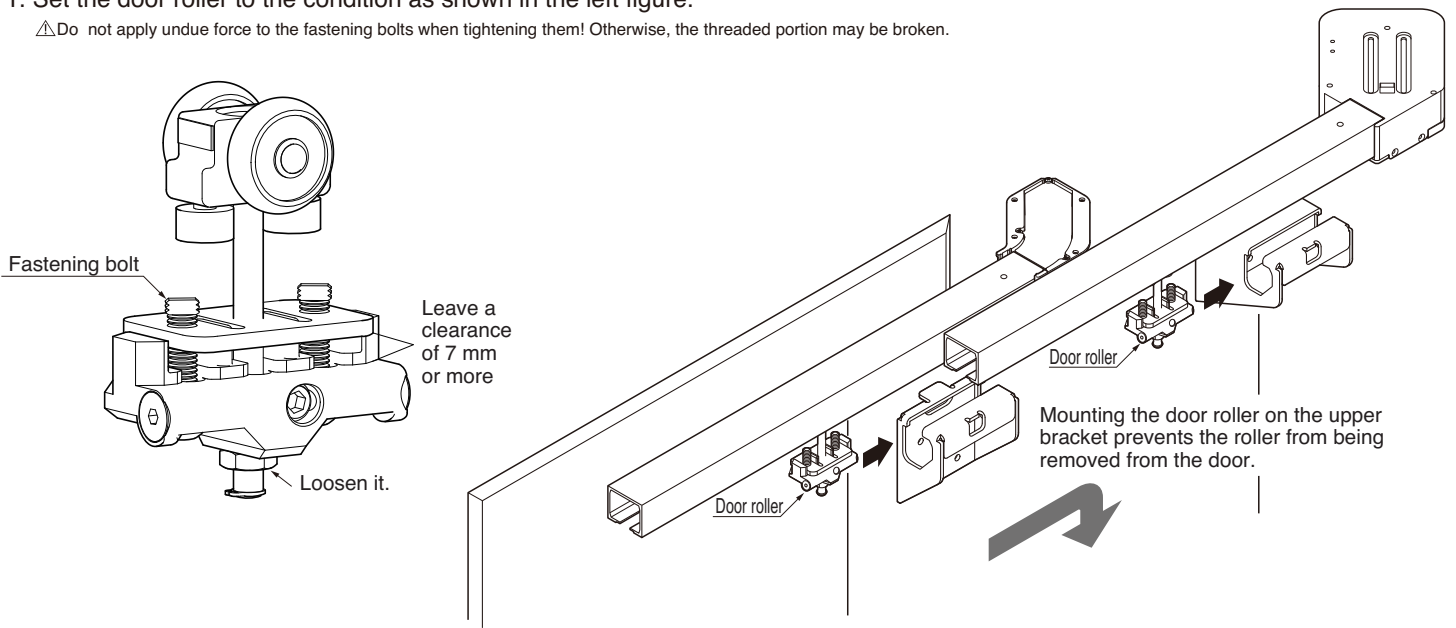
Enlarged view of the portion as shown by arrow A



■ Hanging door rollers from upper rails for door suspension

1. Set the door roller to the condition as shown in the left figure.

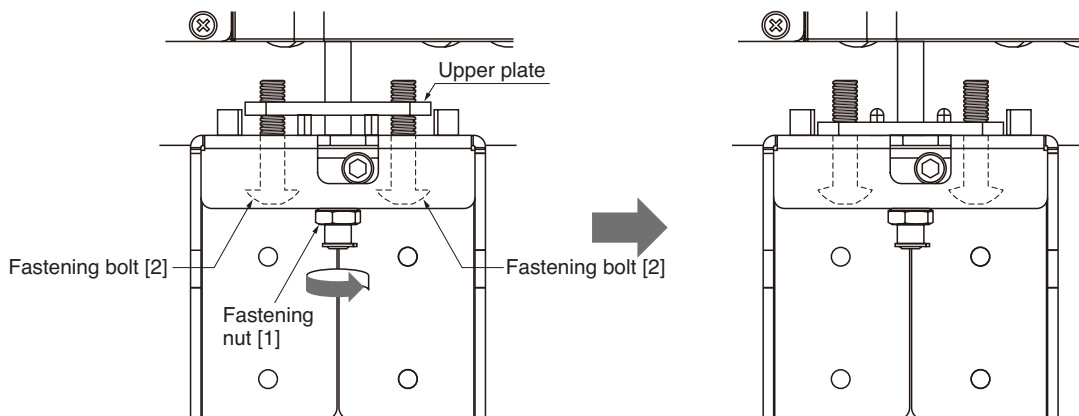
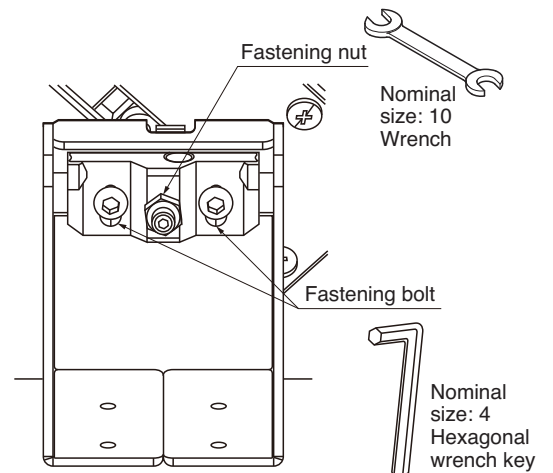
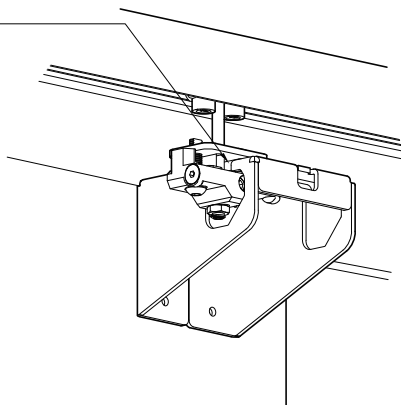
⚠ Do not apply undue force to the fastening bolts when tightening them! Otherwise, the threaded portion may be broken.



2. Mount the door roller in position in such a way that it will be aligned with the upper bracket's hole, as shown below.

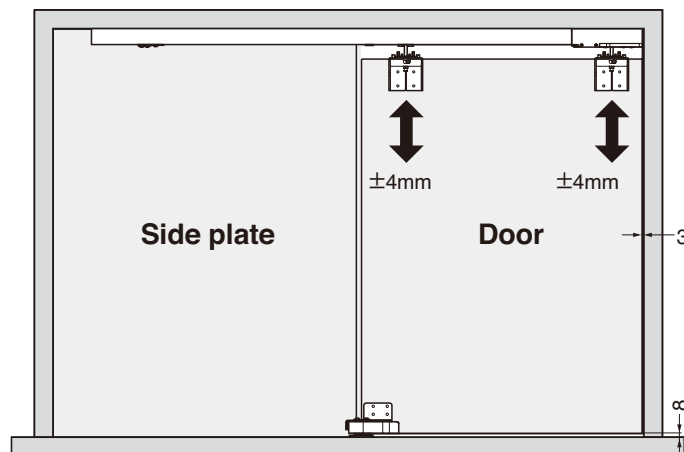
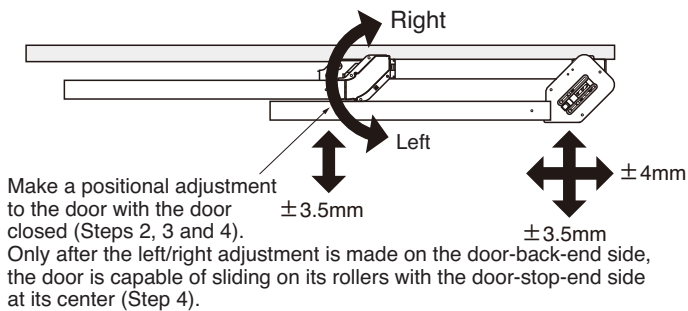
■ Area to operate and tools to be used

Mount the door roller in position in such a way that it will be aligned with the upper bracket's hole.



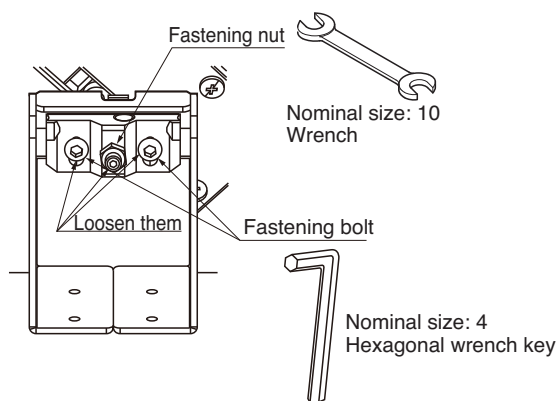
3. Turn the fastening nut [1] clockwise with the wrench [10] to move the upper plate to the position as shown in the figure above. Then, use the hexagonal wrench key (nominal size: 4) to tighten the two fastening bolts lightly.

How to adjust door

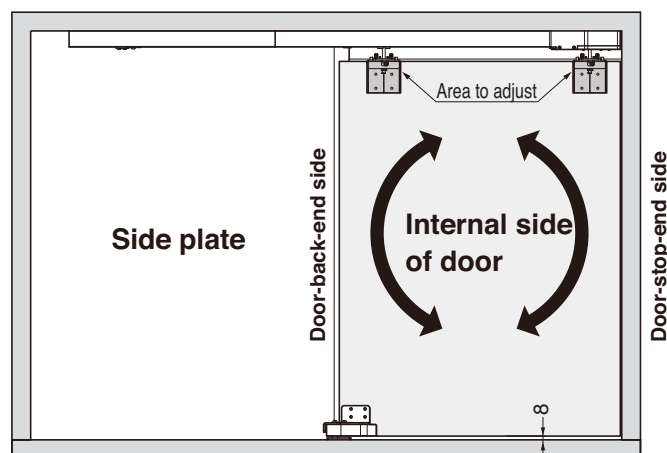
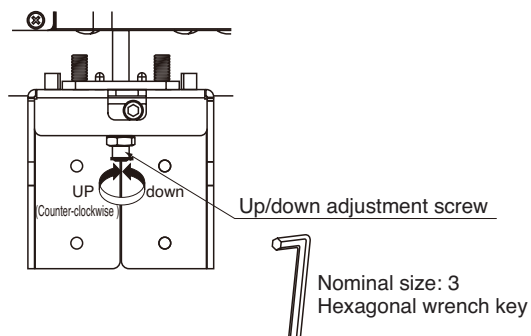


How to adjust door

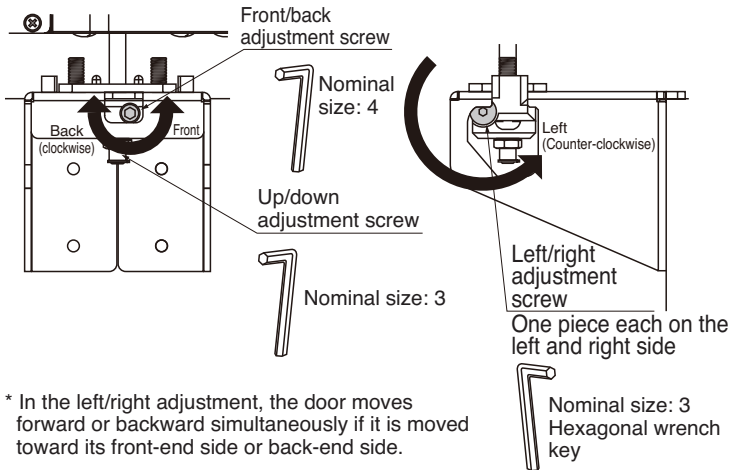
- Loosen two fastening bolts and one fastening nut.
* It is best to rotate them approximately one turn each.



- By making up/down adjustment to the door, the door should be adjusted to remain in a horizontal/vertical orientation. (The generally recommended gap between the door and floor is 8 mm.)
Area to adjust: Up/down adjustment screws on the door-stop-end and door-back-end sides.

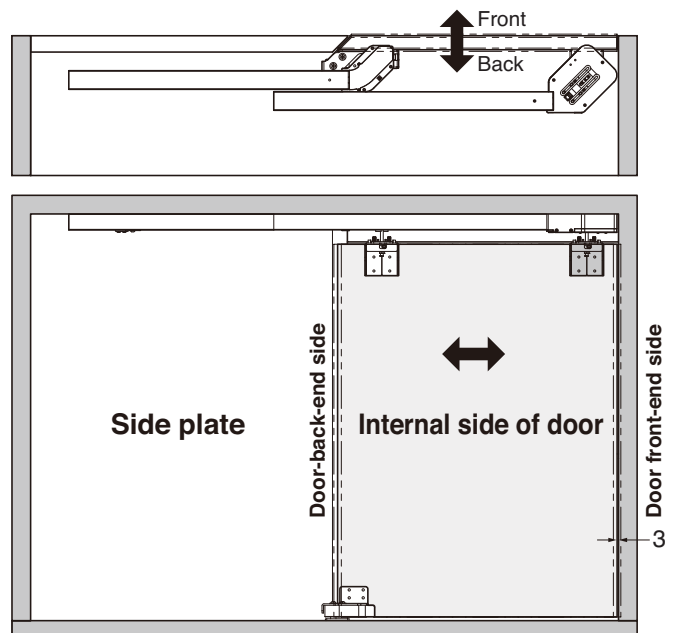


3. Make up/down and front/back adjustments to the door on the door-stop-end side.
Area to adjust: Left/right and front/back adjustment screws on the door-stop-end side

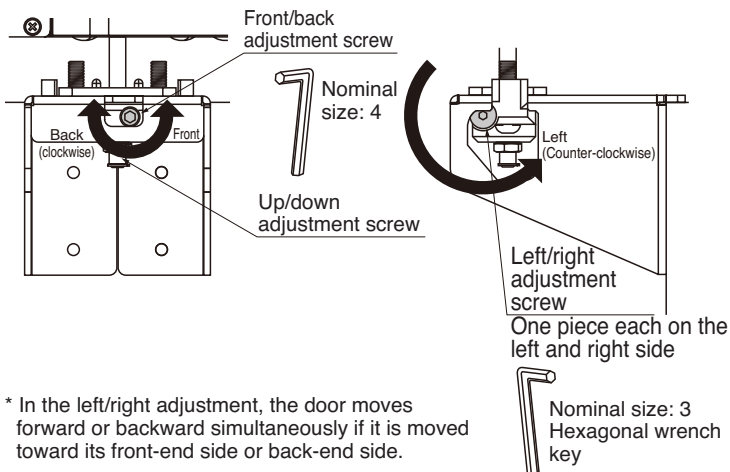


* In the left/right adjustment, the door moves forward or backward simultaneously if it is moved toward its front-end side or back-end side.

⚠ Ensure that Left / Right adjustment screws on both sides of the bracket are adjusted.

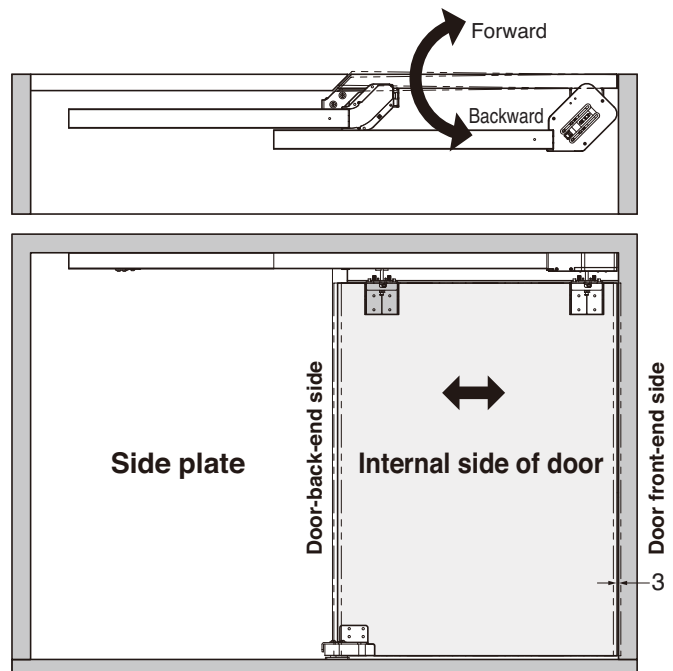


4. Make left/right and front/back adjustments to the door on the door-back-end side.
Area to adjust: Left/right and front/back adjustment screws on the door-back-end side



* In the left/right adjustment, the door moves forward or backward simultaneously if it is moved toward its front-end side or back-end side.

⚠ Ensure that Left / Right adjustment screws on both sides of the bracket are adjusted.



5. Check the door for any failure first, then make a fine adjustment to it if there is any misalignment.

* In the event that the lower area on the door-stop-end side of door cannot move forward completely, this area becomes able to move forward after moving the door slightly upward by up/down adjustment on the door-stop-end side.

6. After making the positional adjustments to the door, tighten two fastening bolts, one fastening nut and two left/right adjustment screws properly.

