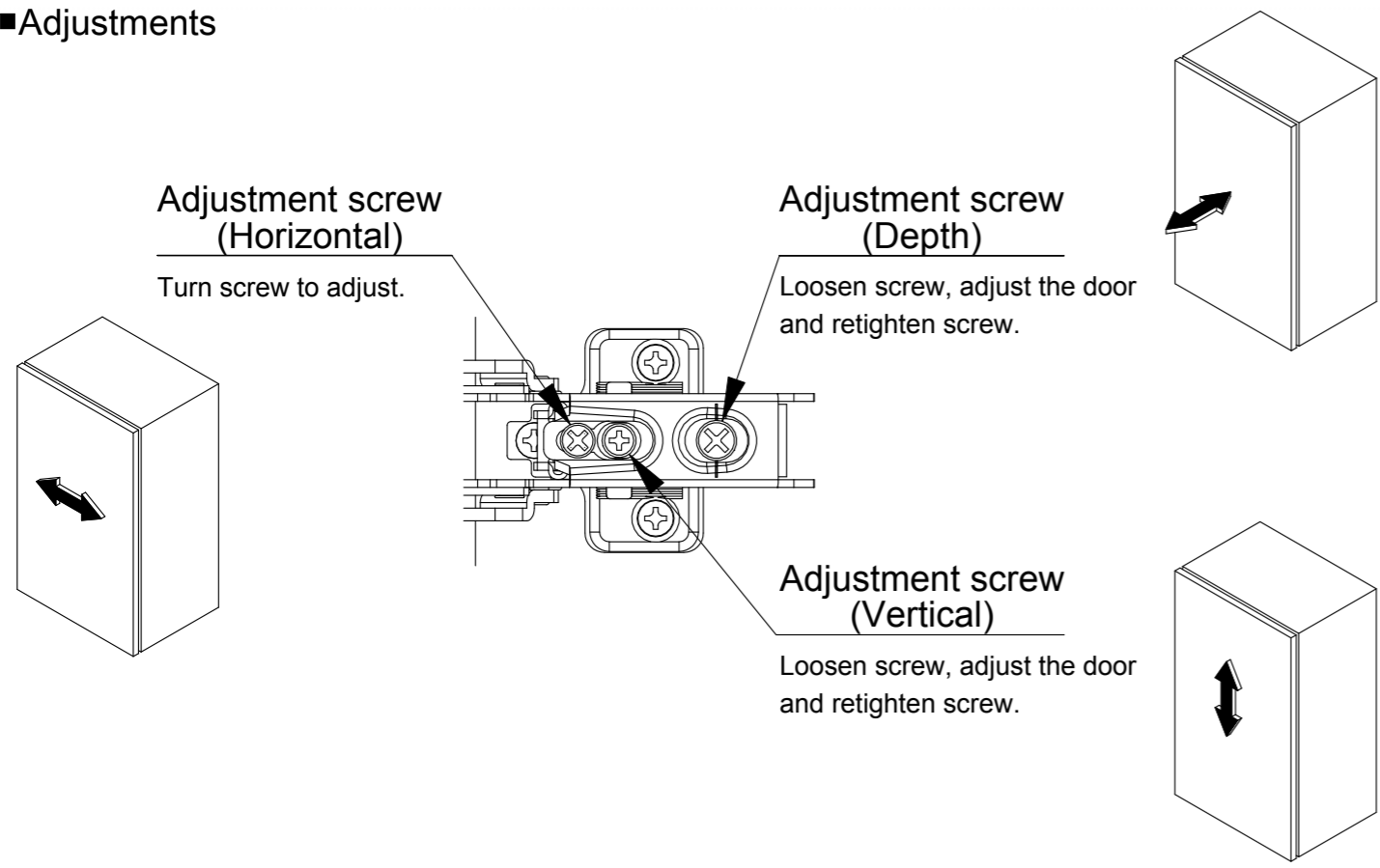


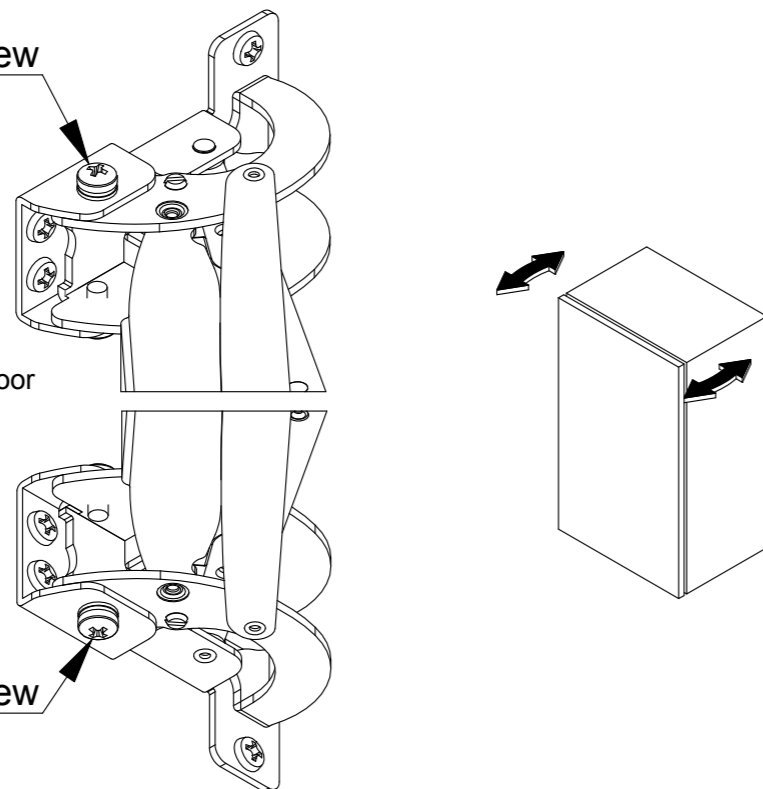
■ Adjustments



Leveling Adjustment Screw Front

Loosen both screws, adjust the door and retighten screws.

Leveling Adjustment Screw Back



SUGATSUNE KOGYO CO.,LTD.
Phone: +81 (0)3 3866 2260
Fax: +81 (0)3 3866 4447
E-mail: export@sugatsune.co.jp
Website: www.sugatsune-intl.com

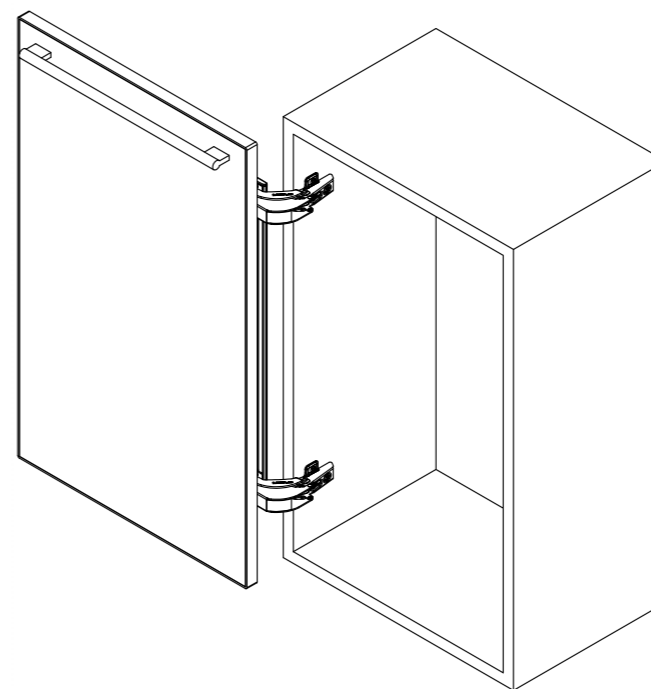
SUGATSUNE KOGYO (UK) LTD.
Phone: +44 (0)1491 680737
Fax: +44 (0)1491 60762
E-mail: sales@sugatsune.co.uk
Website: www.sugatsune.co.uk

SUGATSUNE AMERICA, INC.
Phone: +1 310 3296373
Fax: +1 310 3290819
E-mail: sales@sugatsune.com
Website: www.sugatsune.com

SUGATSUNE SHANGHAI CO., LTD.
Phone: +86 (0)21 3632 1858
Fax: +86 (0)21 3632 1868
E-mail: lamp@sugatsune.com.cn
Website: www.sugatsune.com.cn

2009.05 PRINTED IN JAPAN 0445-1

Thank you for purchasing this MonoFlat LIN-X hinge by SUGATSUNE. Before proceeding with the installation, please read this instruction manual carefully for the best possible result and ensure your safety.



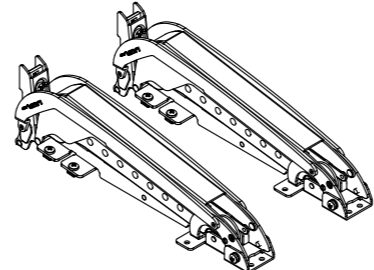
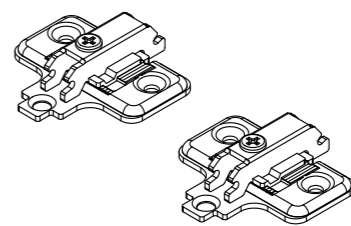
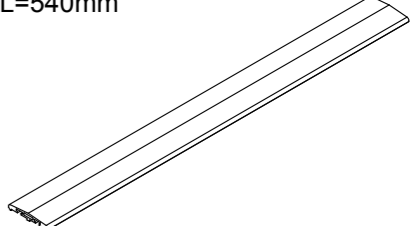
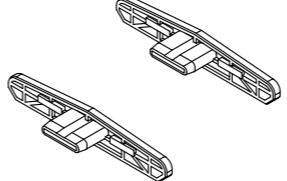
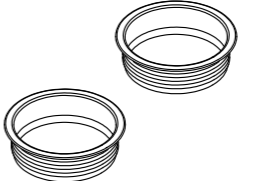
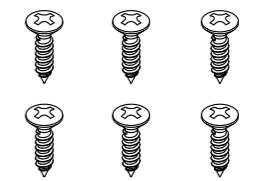
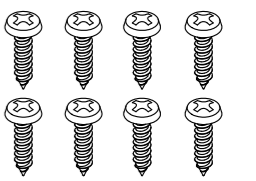
! WARNING

- Failure to observe the following precautions may result in injury and/or lead to damage to surrounding cabinets or fittings.
- Choose suitable screws to ensure of proper installation of the cabinet and door.
- Ensure that door size, weight and material correspond to the specifications stated in this manual.
- Do not disassemble or modify the system.

■ Product Specification

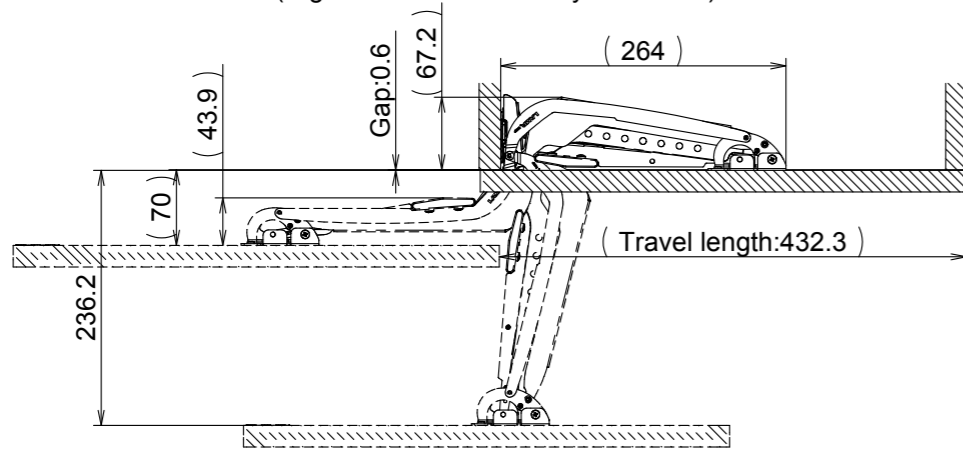
Door width	400~500 mm
Door height	600~900 mm
Door thickness	15~24 mm
Door weight	Max 7 kg (per door)

■ Parts List

① LIN-X Body 2 pcs. 	② Mounting Plate 2 pcs. 	③ Connecting plate 1 pc. L=540mm 
④ Connecting plate Cover 2 pcs. 	⑤ Cup Cover 2 pcs. 	⑥ Countersunk head tapping screw 3.5×15 6 pcs. 
		⑦ Binding & tapping screw 3.5×15 8 pcs. 

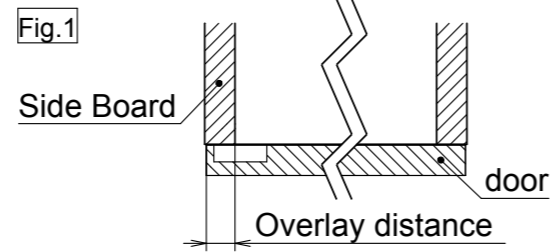
Overall (unit: mm)

- Picture shows the left hand door use. (Right hand door use is symmetrical.)



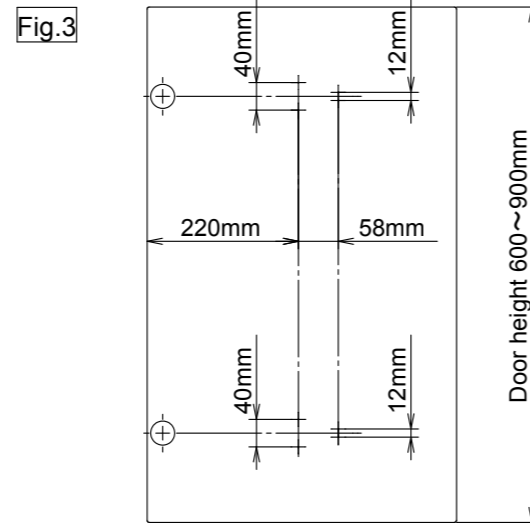
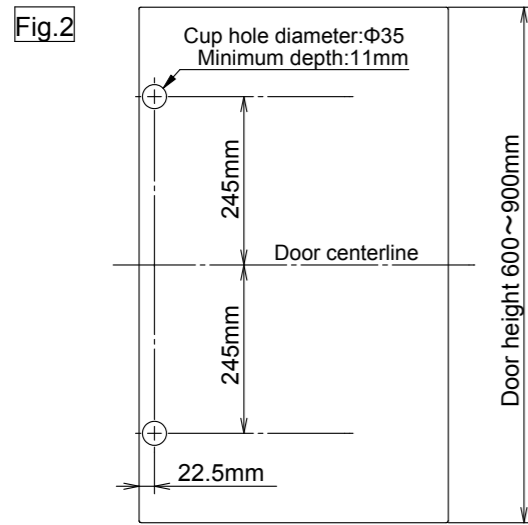
Overlay distance

- Side overlay as shown in Fig. 1 is:
 - 19 mm for mounting plate 230-P4W-32T
 - 14 mm for mounting plate 230-P4W-32T+5
- An opening clearance of 2mm is required on both sides of the door.



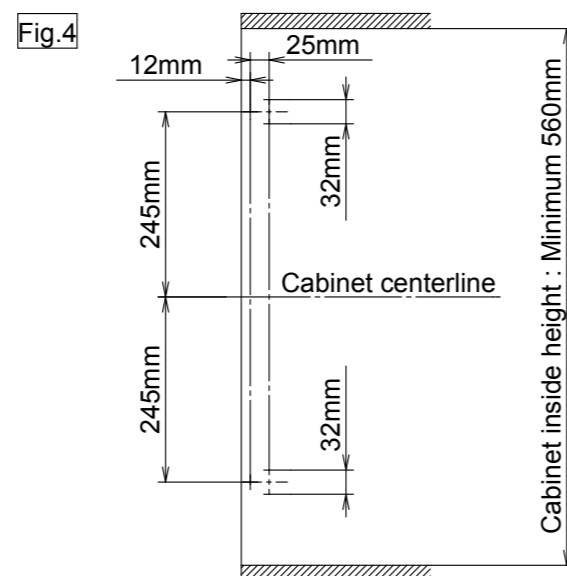
Position of LIN-X Body

- Prepare the door as per Fig. 2 and Fig. 3



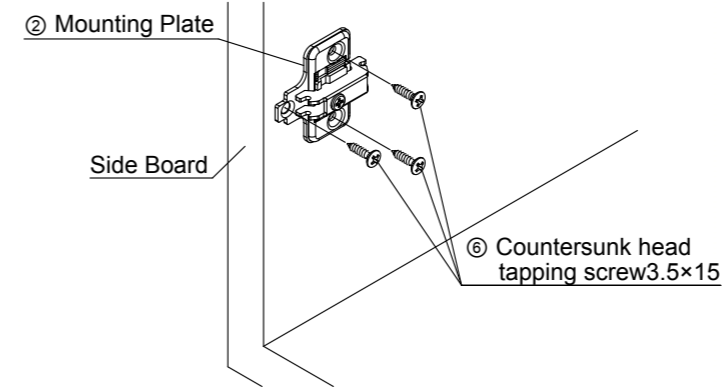
Mounting Plate Position

- Prepare the sideboard for mounting plate installation as Fig. 4

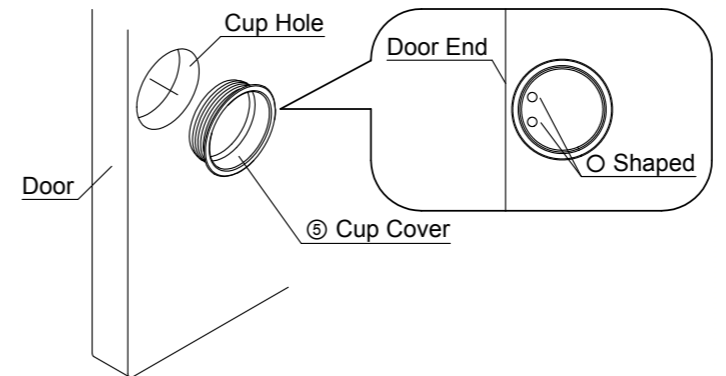


Installation

1 Mounting plate installation:

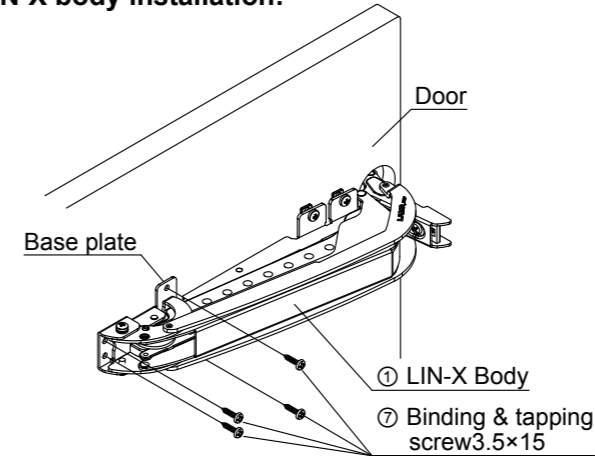


2 Cup Cover installation:



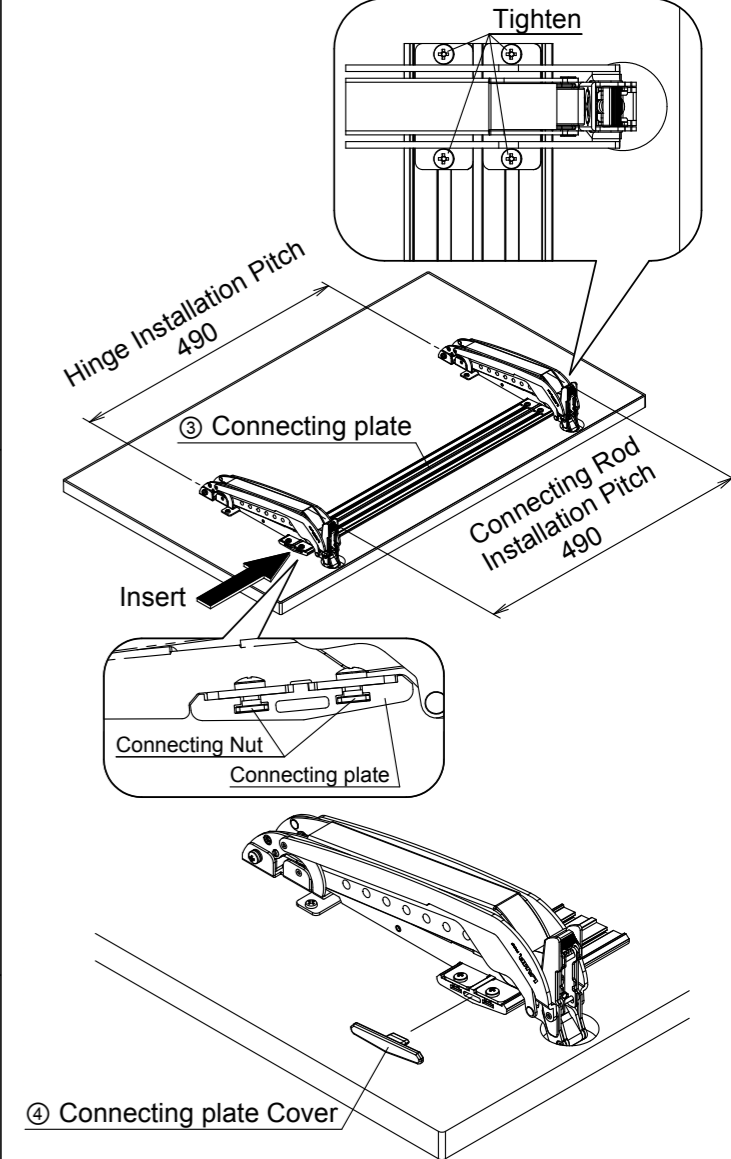
⚠ Ensure that the two O are pointing toward the edge of the door.

3 LIN-X body installation:

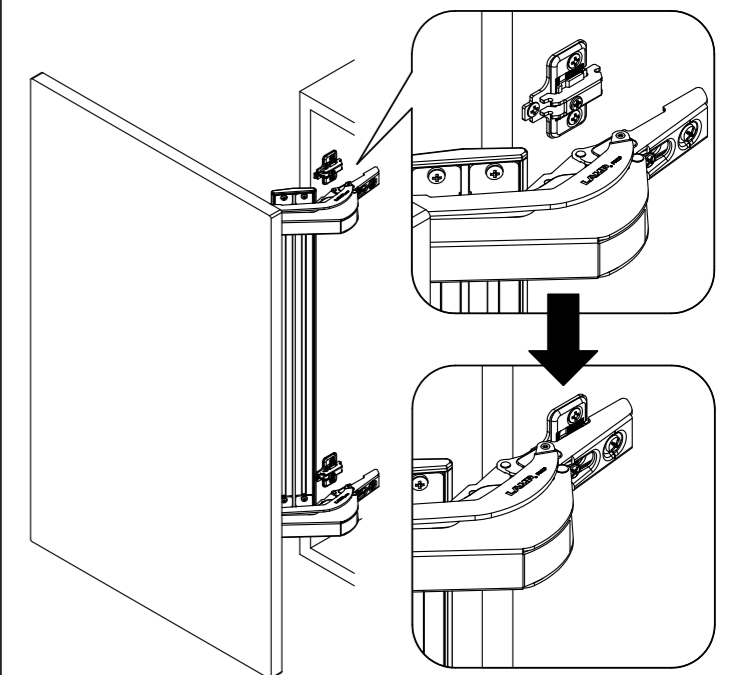


⚠ Ensure that the two LIN-X bodies are parallel by measuring both the base and mounting plate distances.

4 Connecting plate installation:



5 Door installation:



⚠ Ensure that the LIN-X body is securely attached to the mounting plates.