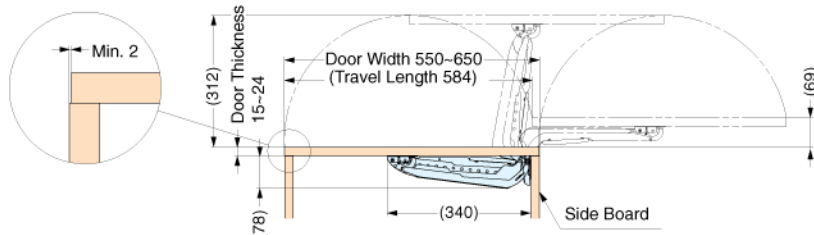
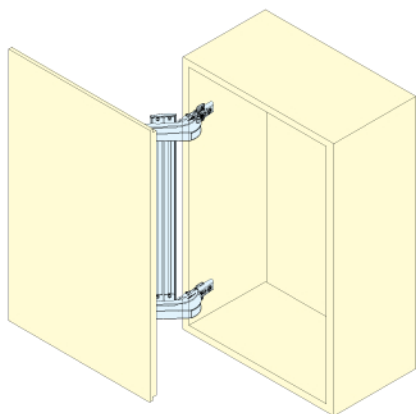


MONO FLAT LIN-X HINGE

LIN-X600

■ Standard Kit



Please note handle position on other doors before installation, so that hinges will not interfere with the handles.

Item No.	Overlay	Material	Finish
LIN-X600	19 mm (3/4")	Steel, Aluminum	Nickel, Anodized

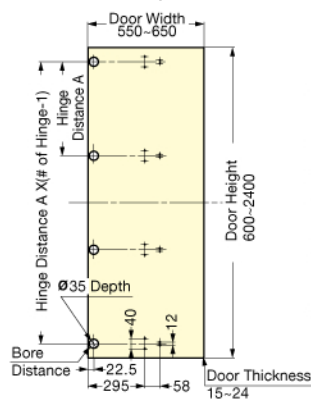
Included Parts: 2 each of Hinge Arms, Mounting Plates, Cup Covers, Bar End Caps and 1 Connecting Bar.

Door Width	550-650 mm (21-5/8"-25-9/16")
Door Height	600-900 mm (23-5/8"-35-7/16")
Door Thickness	15-24 mm (5/8"-15/16")
Door Weight	MAX. 9 kg (19.8 lbs)

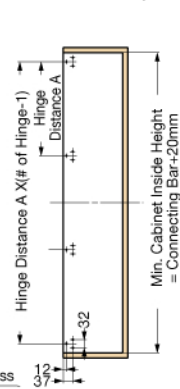
■ Individual Parts for Tall / Heavy Door

Door Width	550-650 mm (21-5/8"-25-9/16")
Door Height	600-2400 mm (23-5/8"-94-1/2")
Door Thickness	15-24 mm (5/8"-15/16")
Door Weight	Max. 24 kg (52.8 lbs)

■ Door Preparation

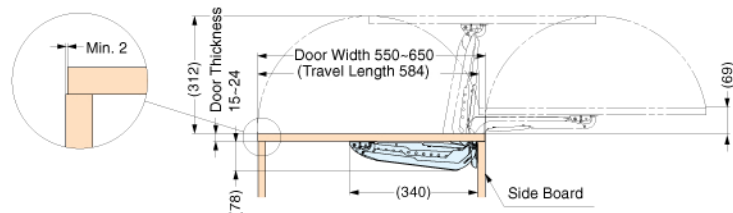


■ Cabinet Preparation



■ Hinge Distance A

# of Hinges	Length of Connecting Bar (mm)					
	540	840	1140	1440	1740	2040
2 pcs	490	790	-	-	-	-
3 pcs	245	395	545	695	845	-
4 pcs	-	-	363.3	463.3	563.3	663.3
5 pcs	-	-	-	347.5	422.5	497.5



Please note handle position on other doors before installation, so that hinges will not interfere with the handles.