

MONOFLAT LIN-X HINGE

Under Development

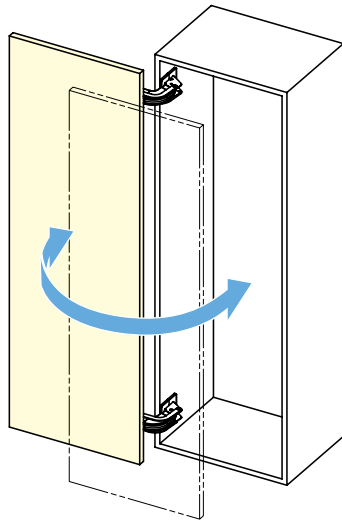


L=R

INSTRUCTION

LIN-X800

MonoFlat LIN-X hinge



	LIN-X800	LIN-X800H
Door Width	750 - 850 mm	
Door Height	Max. 2400 mm	Max. 2980 mm
Door Thickness	24 - 40 mm	
Door Weight	Max. 40 kg per door	
Usage	1 per door (Overlay)	

Features

- Innovative movement keeps doors discretely out of the way.**
 Door closes flush with surrounding walls for a sleek and clean design.
 No need to do special processing on any wall for grooves or rails.
 Can be used on aluminium frames (if the frame has a thickness over 120 mm).
- Whether open or closed, door stays out of the way**
 Compared to regular swing doors, has a small radius allowing the space in front of the door to be used effectively.
- Opens fully for access to entire cabinet.**
 Whether installing cabinets or just getting access, the entire cabinet interior is easily accessible.
- Built-in soft close mechanism**
 When the door closes, the internal damper will cause the door to close softly, preventing slamming.
- 4 Way adjustment post installation**
 Can be adjusted vertically, horizontally, depth or parallel.
- Wide amount of applicable cabinets**
 Can be used on dual opening, single opening cabinets. Can also be used on L shaped corner spaces.

Parts Included

- OTruss head tapping screw 6*25
- Truss head screw M5 x 10
- M5 Square Nut
- One end mouth wrench

Colour Variation

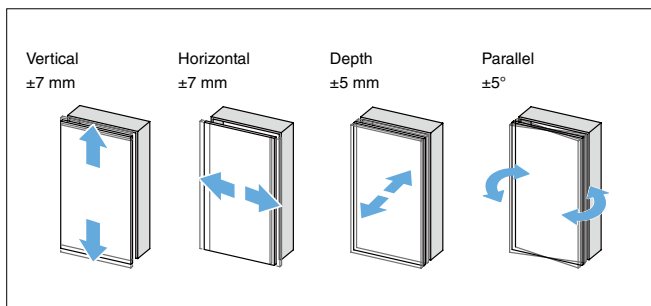


Black

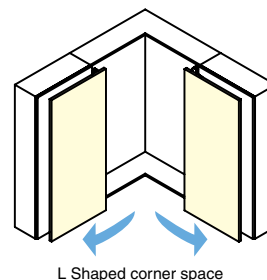
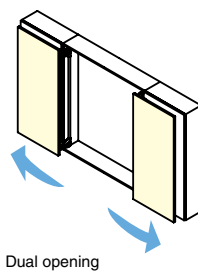
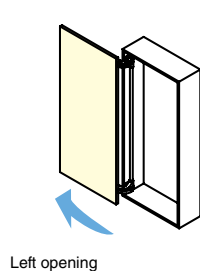
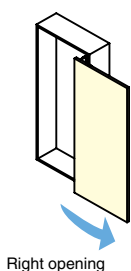
White

WARDROBE & CABINET DOOR HARDWARE

MONOFLAT LIN-X HINGE



*Vertical, Horizontal, Depth and Parallel adjustment possible post-installation.



MONO FLAT LIN-X HINGE
If ordering LIN-X800

• Be sure to order..... **Part Set (per door)**

Part Set (per door)

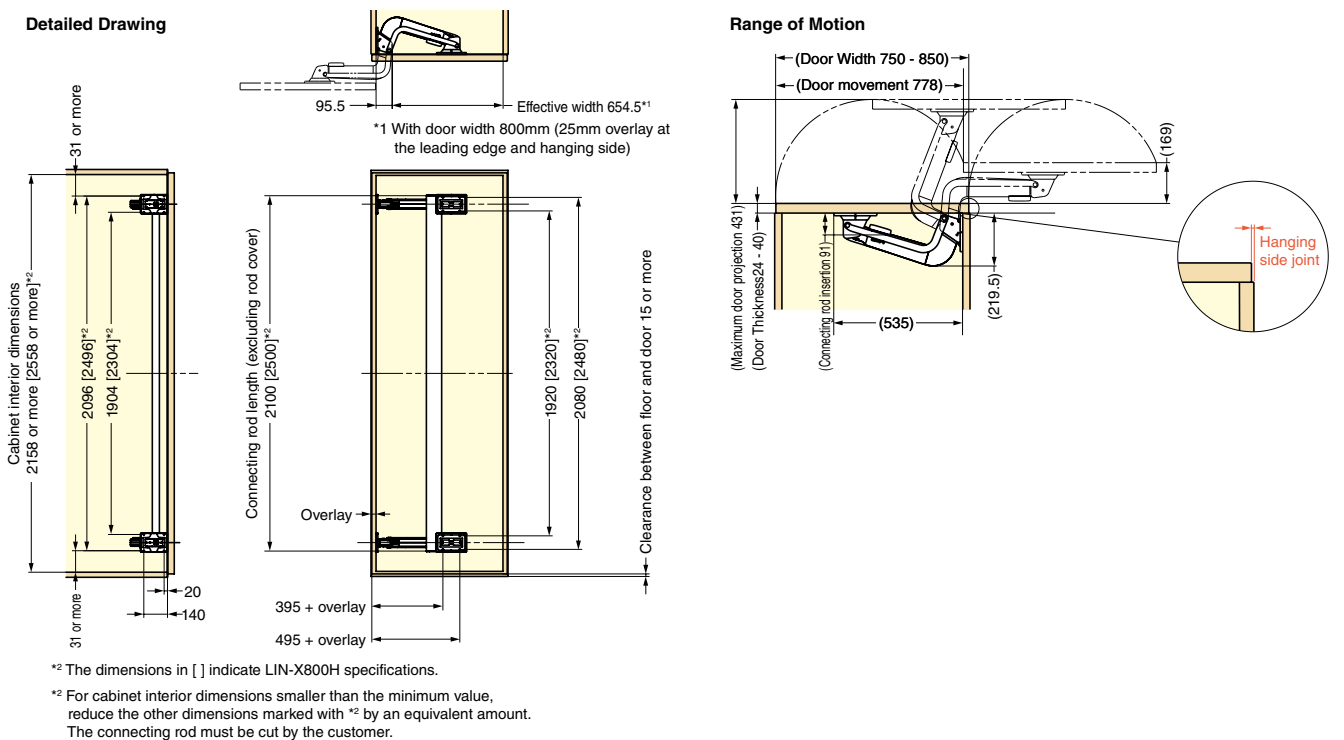
This set must be ordered. Select a suitable set according to the door height.

CAD	Item Code	Item Name	Door Height	Colour	Set Content (for LIN-X800)			
					1 Hinge + 2 3 Washer Cover + 4 Rod Cover		5 Connecting Rod	
					Item Code	Item Name	Item Code	Item Name
2030	250-043-897	LIN-X800-BL-S	2400 mm	Black	250-043-834	LIN-X800-BL	250-043-842	LIN-X80-L2100-BL
2030	250-043-898	LIN-X800-WT-S	or Less	White	250-043-835	LIN-X800-WT	250-043-843	LIN-X80-L2100-SL
2030	250-043-899	LIN-X800H-BL-S	2980 mm	Black	250-043-834	LIN-X800-BL	250-043-844	LIN-X80-L2500-BL
2030	250-043-900	LIN-X800H-WT-S	or Less	White	250-043-835	LIN-X800-WT	250-043-845	LIN-X80-L2500-SL

Part Set Contents

No. Quantity	Parts in Set	Dimensions	Specifications
1 A - B each	Hinge A		<ul style="list-style-type: none"> Material: Steel (SPCC)/ Polyacetal (POM) Finish: Nickel Plating Baked enamel finish
	Hinge B		
2	4 pcs Washer cover (hanging side)		Material: ABS resin
3	4 pcs Washer cover (leading edge)		Material: ABS resin
4	2 pcs Rod cover		Material: Polyacetal (POM)

No. Quantity	Parts in Set	Dimensions	Specifications
5 Either part	Connecting rod		<ul style="list-style-type: none"> Material: Aluminium alloy Finish: Anodised: Black/silver
			<ul style="list-style-type: none"> Material: Aluminium alloy Finish: Anodised: Black/silver



WARDROBE & CABINET DOOR HARDWARE

MONOFLAT LIN-X HINGE