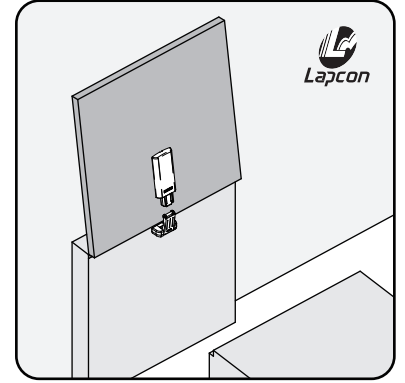


Dear Customer:

LAD is designed and manufactured with Sugatsune's utmost care in order to give you a high performance and smooth operation on a long-term basis. We ask you to follow these instructions for best possible results and carefree use throughout its lifetime.

Safety recommendations:

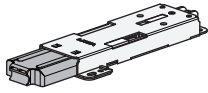
- Sugatsune recommends for the installation to be made by a professional carpenter or installer.
- Do not disassemble the damper or the arm.
- Please use this damper only within the specifications shown in this manual.
- We recommend single axis hinges or recessed hinges.
- Do not use furniture concealed hinges.
- Operating temperature is 0 to 40°C.



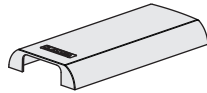
Warranty

- LAD is produced with a particular attention to its quality. Should you however experience any difficulty, please refer to your local supplier or Sugatsune Export Department (export@sugatsune.co.jp).
- The liability of Sugatsune is limited to the replacement of the product itself. Sugatsune cannot accept any liability for damage incurred while using this product.
- Standard warranty is for one-year period from the date of shipment.

Parts List



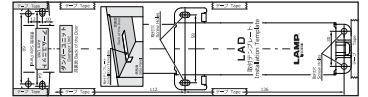
■ Damper Unit : 1pc



■ Damper Cover : 1pc



■ Arm Unit : 1pc



■ Installation Template : 1pc



■ Arm Cover L : 1pc



■ Arm Cover R : 1pc



■ Installation Screw : 8pcs
(4.0×16)

■ Installation : 1pc

Specifications

LAD Specifications

Torque	Item No.
8.0 ~ 10.5 N·m	LAD-L
10.5 ~ 13.5 N·m	LAD-M
13.5 ~ 16.0 N·m	LAD-H

Door Thickness

Door Thickness	15 ~ 25 mm
----------------	------------

In case the door thickness exceeds 26mm, following options may be available. Contact our sales for details.

Torque Calculation

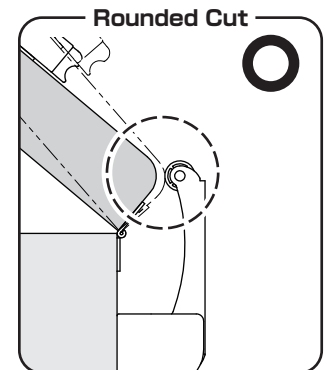
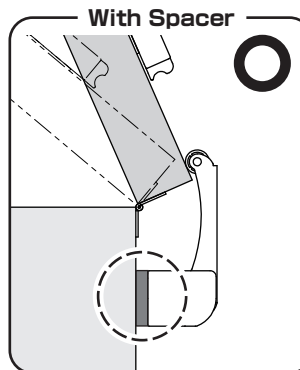
$$\frac{\text{Door Height [m]}}{2} \times \text{Door Weight [kg]} \times 9.8 = \text{Torque [N·m]}$$

※ Select the torque range applicable on the list above.

Hinges (Sold Separately)

Usable	
Single Axis Hinges	
Recessed Hinges	

Unusable	
Furniture Concealed Hinges	



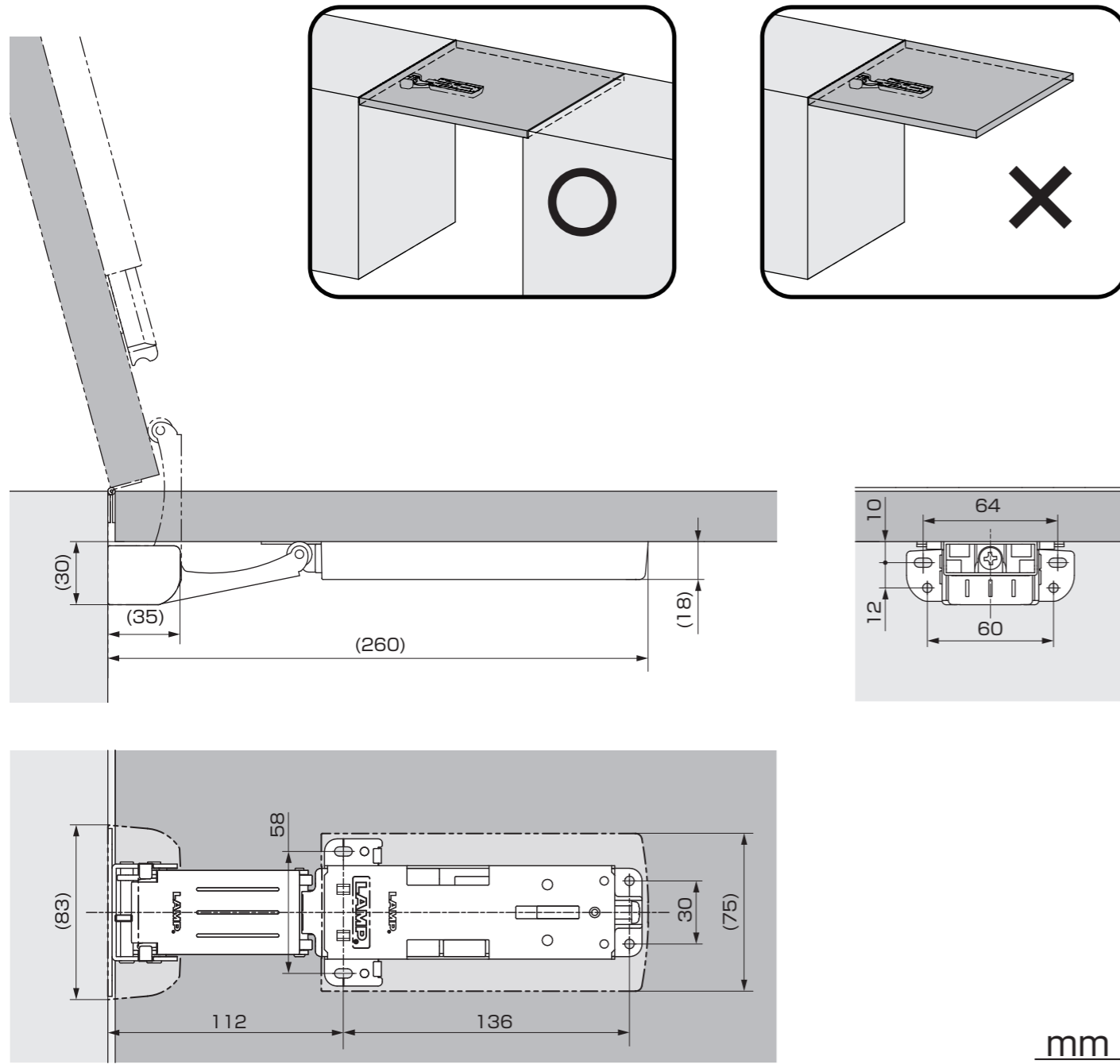
SUGATSUNE KOGYO CO.,LTD.
 Phone: +81 3 3866 2260
 F a x : +81 3 3866 4447
 E-mail: export@sugatsune.co.jp
 Website: www.sugatsune-intl.com

SUGATSUNE KOGYO (UK) LTD.
 Phone: +44 118 9272 955
 F a x : +44 118 9272 871
 E-mail: sales@sugatsune.co.uk
 Website: www.sugatsune.co.uk

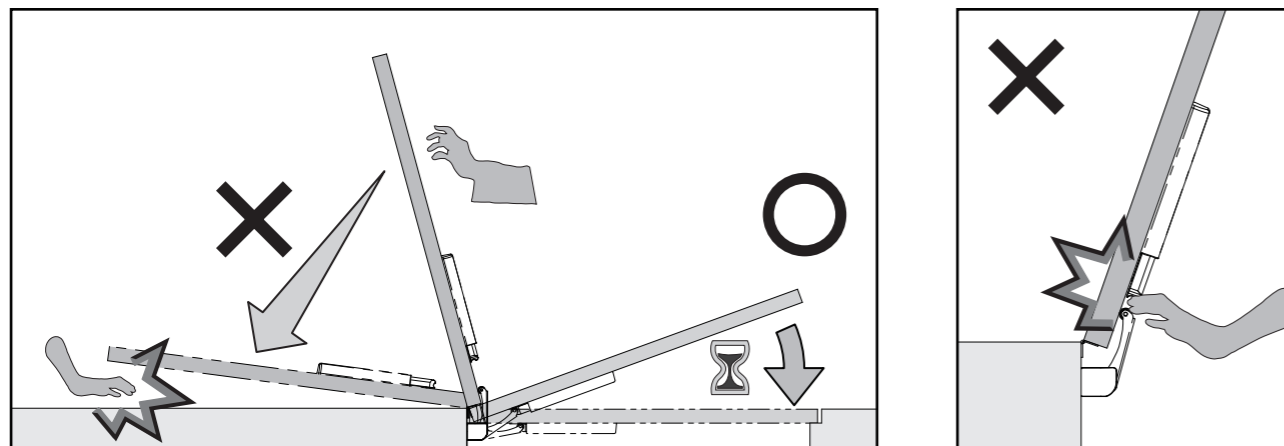
SUGATSUNE AMERICA, INC.
 Phone: +1 310 329 6373
 F a x : +1 310 329 0819
 E-mail: sales@sugatsune.com
 Website: www.sugatsune.com

SUGATSUNE SHANGHAI CO., LTD.
 Phone: +86 21 3632 1858
 F a x : +86 21 3632 1868
 E-mail: lamp@sugatsune.com.cn
 Website: www.sugatsune.com.cn

取付寸法図 Installation drawing



⚠ 注意 CAUTION



取付手順 Installation

