

KINVARO

T-70 lift-up flap fitting



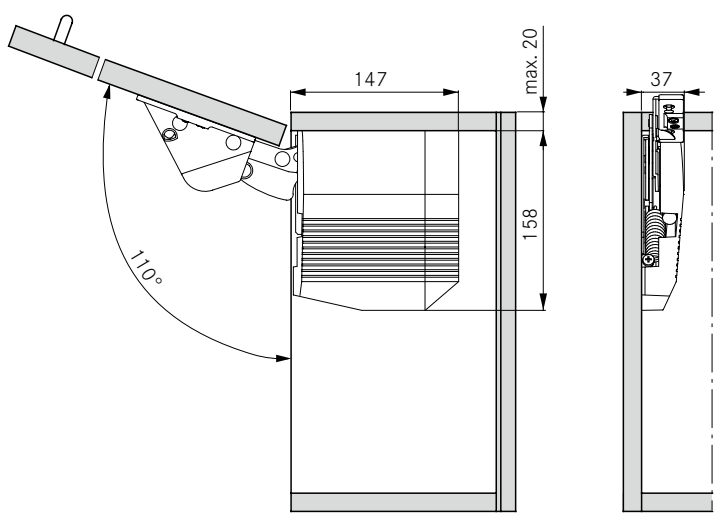
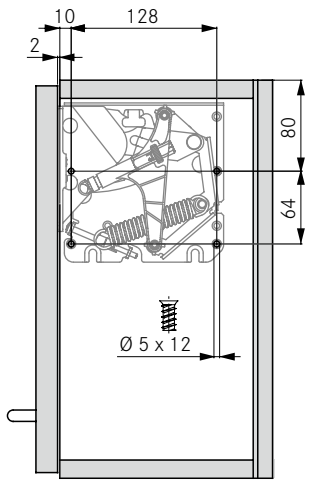
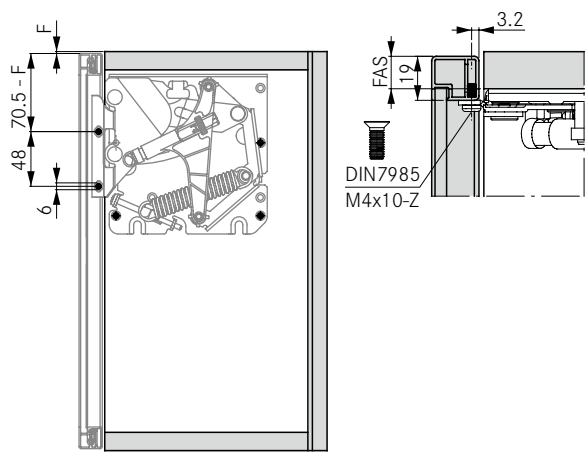
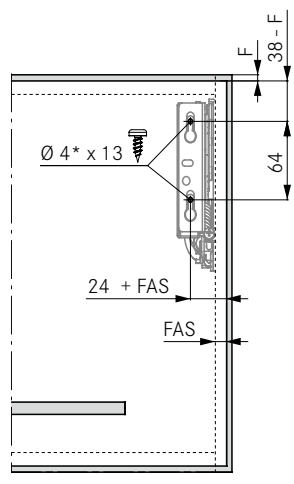
- Variable opening angle - holds flap securely at any angle between 45° and 110°
 - Extremely comfortable opening thanks to spring-supported opening mechanism
 - Adjustable spring force
 - Integrated adjustable closing damper
 - Adjustable flap height ± 2.0 mm
 - No hinges fitted to the top panel
 - Allows additional cabinet installation above
 - Can be used for wooden flaps or aluminium frames with glass infill
 - Weight 1.4 to 8.5 kg
- Range of flaps:
Width: up to 1200 mm
Height: 300 – 600 mm
 - Cover caps in white and grey, similar to RAL 7045

APPLICATION RANGE

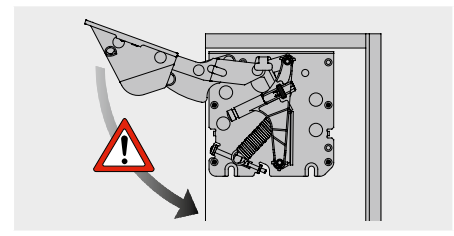
Cabinet height	Flap weight incl. handle (kg)	
	Spring, white	Spring, orange
300	2.1 – 7.4	2.5 – 8.5
350	1.8 – 6.3	2.3 – 7.5
400	1.7 – 5.4	2.1 – 6.8
450	1.6 – 4.7	2.0 – 5.8
500	1.5 – 4.0	1.8 – 5.0
550	1.4 – 3.7	1.6 – 4.6
600	1.4 – 3.3	1.4 – 4.2

ASSEMBLY AND INSTALLATION INSTRUCTIONS

All dimensions in millimetres

<p>Required space</p> 	<p>Side wall drilling positions</p> 
<p>Front: installation for flaps with standard aluminium frame profiles (19 mm)</p>  <p style="text-align: right;">* Standard aluminium frame profile (19 mm)</p>	<p>Front: installation for wooden and frame flaps (min. 55 mm width)</p>  <p style="text-align: right;">* Pre-drilling required - Ø 2 mm</p>
<p>Calculation of flap weight</p> <p>Flap width x flap height x flap thickness x density¹ + weight of handle² = weight of flap</p> <p>¹ Densities: MDF 0.85 kg/dm³, chipboard 0.65 kg/dm³, spruce/pine 0.45 kg/dm³</p> <p>² For bar handles allow 0.1 kg for each 100 mm handle width. We recommend a trial fitting</p>	

WARNING



Important!
Caution - risk of injury!
Fitting is spring-tensioned!

LEGEND

F	Reveal
FAO	Front overlay, top
FAS	Front overlay, side
KOB	Cabinet top panel

KINVARO

T-75 lift-up flap fitting



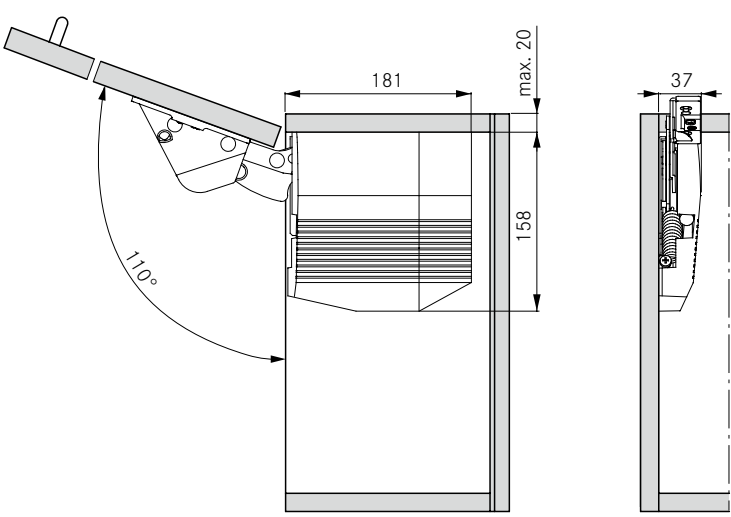
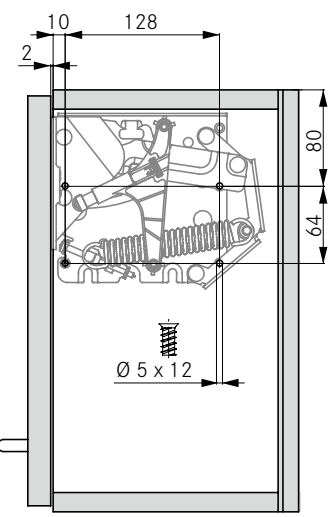
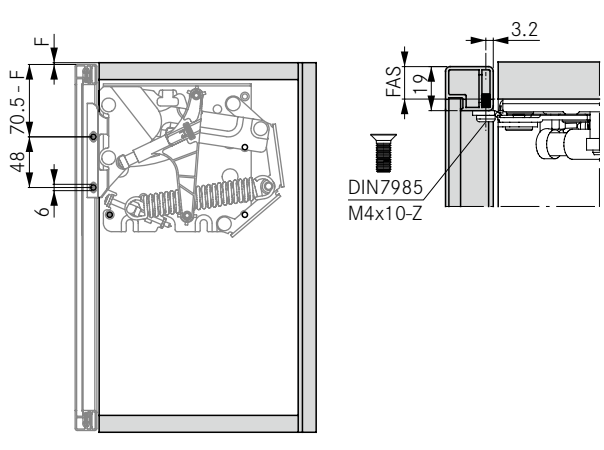
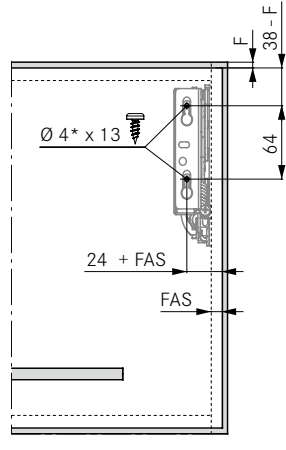
- Variable opening angle - holds flap securely at any angle between 45° and 110°
 - Extremely comfortable opening thanks to spring-supported opening mechanism
 - Adjustable spring force
 - Integrated adjustable closing damper
 - Adjustable flap height ± 2.0 mm
 - No hinges fitted to the top panel
 - Allows additional cabinet installation above
 - Can be used for wooden flaps or aluminium frames with glass infill
 - Weight 5.2 to 11.0 kg
- Range of flaps:
Width: up to 1200 mm
Height: 400 – 600 mm
 - Cover caps in white and grey, similar to RAL 7045

APPLICATION RANGE

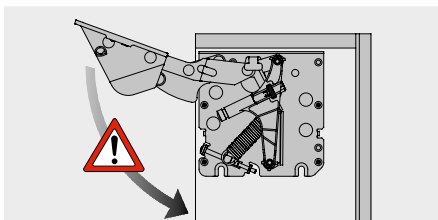
Cabinet height	Flap weight incl. handle (kg)
	Spring, standard
400	7.0 – 11.0
450	6.7 – 9.6
500	5.8 – 8.5
550	5.6 – 7.6
600	5.2 – 7.0

ASSEMBLY AND INSTALLATION INSTRUCTIONS

All dimensions in millimetres

<p>Required space</p> 	<p>Side wall drilling positions</p> 
<p>Front: installation for flaps with standard aluminium frame profiles (* 19 mm)</p> 	<p>Front: installation for wooden and frame flaps (min. 55 mm width)</p>  <p>* Pre-drilling required - Ø 2 mm</p>
<p>Calculation of flap weight</p> <p>Flap width x flap height x flap thickness x density¹ + weight of handle² = weight of flap</p> <p>¹ Densities: MDF 0.85 kg/dm³, chipboard 0.65 kg/dm³, spruce/pine 0.45 kg/dm³</p> <p>² For bar handles allow 0.1 kg for each 100 mm handle width. We recommend a trial fitting</p>	

WARNING



Important!
Caution - risk of injury!
Fitting is spring-tensioned!

LEGEND

F Reveal
FAS Front overlay, side