

I-ONE Multi-hinge Manual Book

I-ONE Innotech Co., Ltd.

www.ione-i.com



◆ **New Product**

- Door Closer without connecting arm
- Auto hinge type Door Closer
- UL Listed



◆ **New Technology**

- The world's first CAM Profile structure

◆ **Features (All in One)**

- Damper, Spring, Hydraulic system all in a single package!
- Auto closing, Shock absorbing, Hold open function all in a single package!

◆ **Efficiency**

- Door Closer with Auto closing, Shock absorbing, Hold open function.
- Unique and slim look without unsightly connecting arm.
- Shock absorbing function prevents accidents involving elderly users, pets.
- More convenient by Hold open function (80° ~180°), no need additional stopper.
- Easy to control closing speed by speed adjustment device.
- Simple installation, you can save installation cost.

◆ **Wide range of application**

- from light door to heavy door applicable
- Wood, Steel, Aluminum, Glass, ABS door



◆ **UL listed**

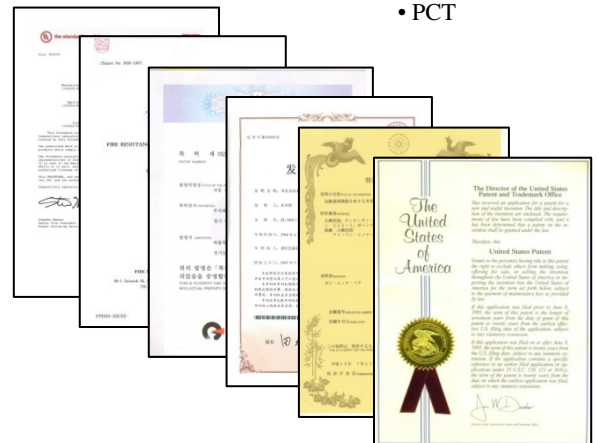
- Swinging Fire Door Closers

◆ **Fire test**

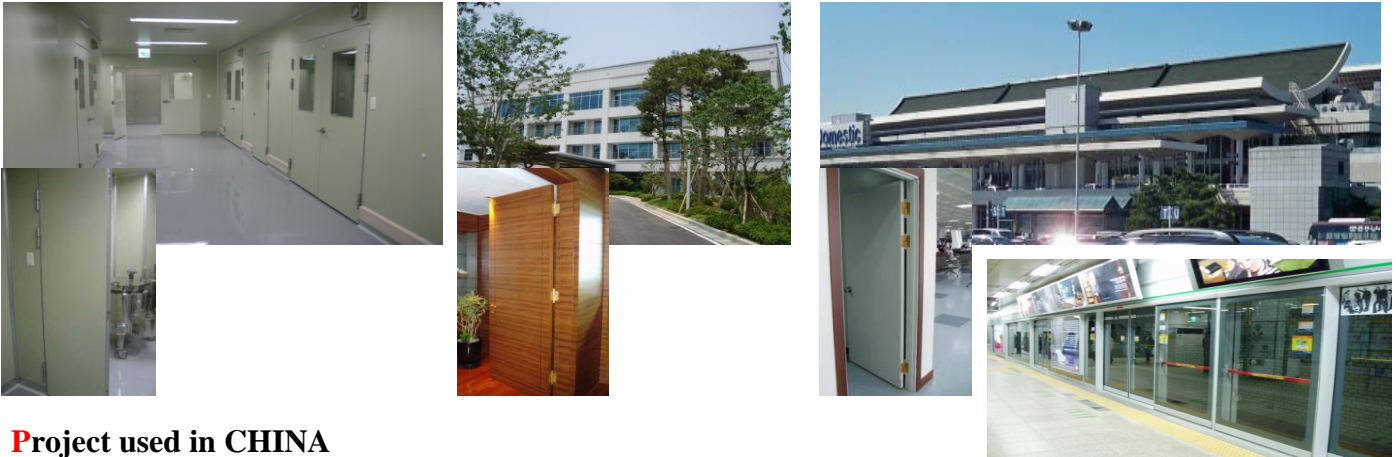
- Pass the KSF 2268-1 test

◆ **Patent**

- U.S.
- Japan
- China
- Korea
- PCT



Project used in KOREA



Project used in CHINA



Project used in TAIWAN



Project used in Vietnam

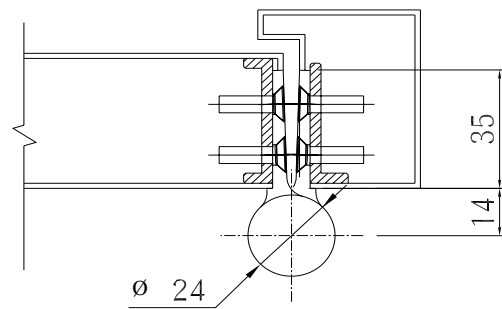
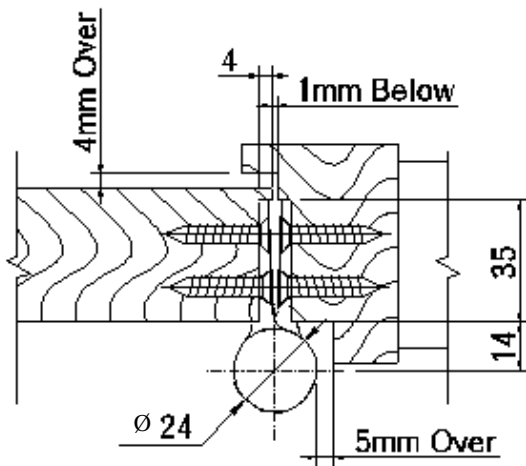
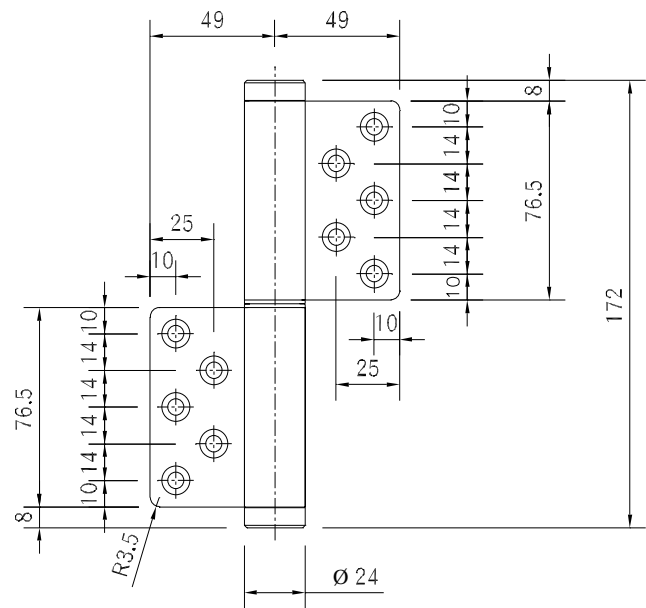
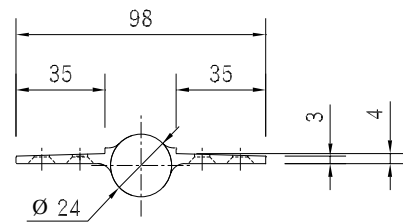


Project used in Singapore

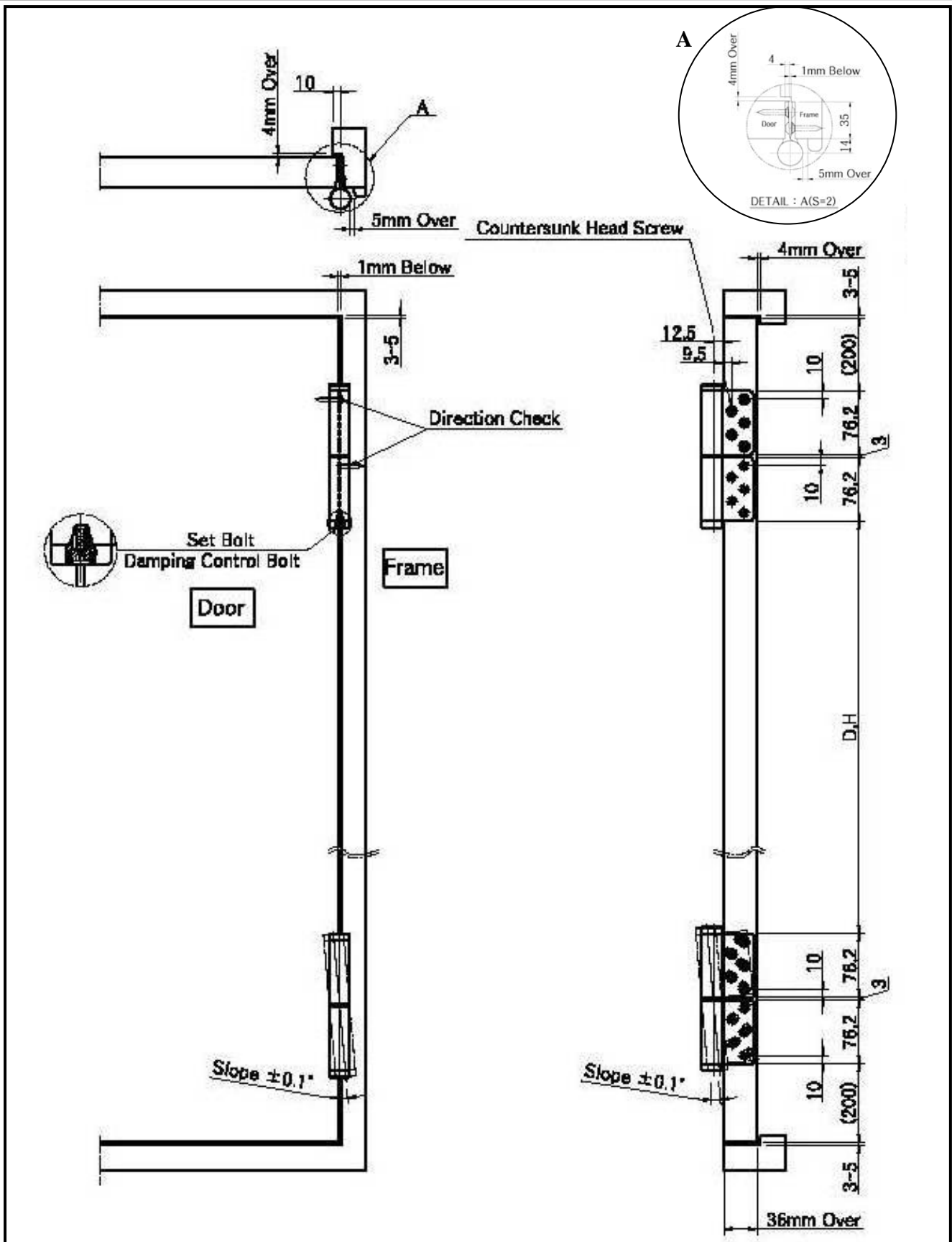


IV-2-1. F-50 model

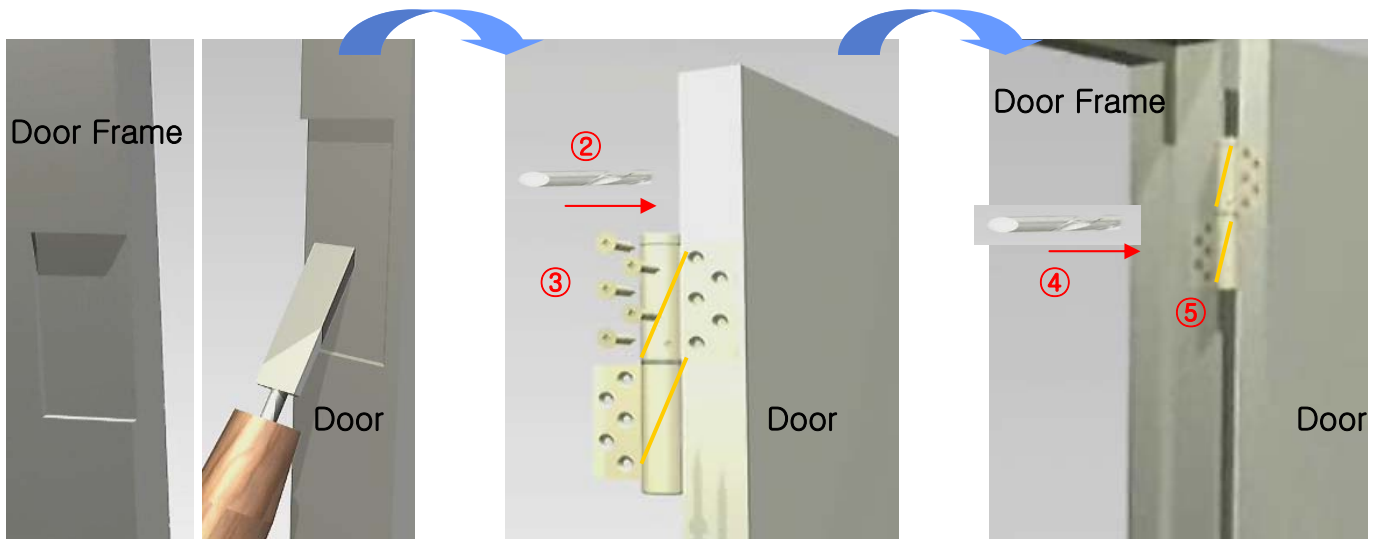
Series	Product Code	Closing Force (N.m)	Size (Φ/mm)	Weight (g)	Max Opening Degree	Hold Open Degree	Material	Coating	Installation	Function
F	50M	5.0	Φ24X 172X98	600	180°	80° ~180°	AL St'l	Liquid	Mortise	Multi
	50S					-				Spring
	50E	-		400		0°~180°				Dummy



* Supply additional drawing to cut



V-2-1. Installation : F-50 model



① Referring to installation drawing, groove (mortise) door and doorframe with 4mm depth evenly.

After check door opening direction, arrange product with correct opening direction.

② Drill hole on the door surface.

③ Fasten each wing on Door top & bottom checking Speed adjustment valve to be bottom of the goods. (At this time, keep rubber band fastened)

④ Drill hole on the doorframe surface.

⑤ Fasten the other wing on doorframe top & bottom. (At this time, keep rubber band fastened)



⑥ Opening and closing the door several time, check interference between door and doorframe, closing speed & closing force.

⑦ If door closing pattern is not good, control speed adjustment valve in the bottom of the product (at this time, remove fastened rubber band)