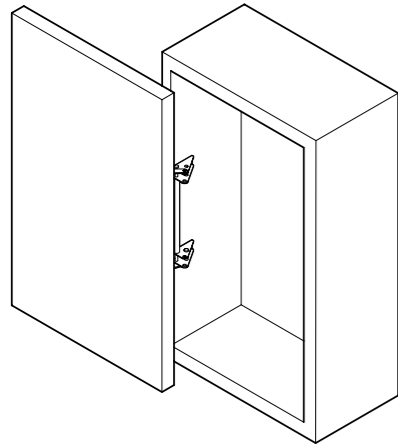


LAMP

MonoFlat FAD™

MonoFlat FAD-5 Instruction Manual PAT.P

Thank you for purchasing this MonoFlat FAD-5 by SUGATSUNE. Before proceeding with the installation, please read this instruction manual carefully for the best possible result and ensure your safety.



WARNING

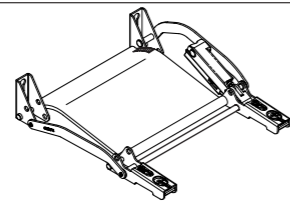
- Failure to observe the following precautions may result in injury and/or lead to damage to surrounding cabinets or fittings.
- Choose suitable screws to ensure of proper installation of the cabinet and door.
- Ensure that door size, weight and material correspond to the specifications stated in this manual.
- Do not disassemble or modify the system.
- Operation temperature range is 0°C~ 40°C .
- This product was manufactured and delivered with our utmost care. Should you however find any defect, please contact your dealer immediately.
- The Warranty period is one year after shipment date. Sugatsune's liability shall be limited to replacement of the product and will in no case extend to the assembly as a whole.

Product Specification

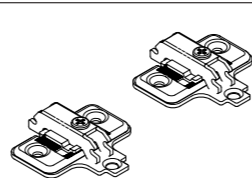
Door width	270 ~ 350mm
Door height	260 ~ 650mm
Door thickness	15 ~ 20mm
Door weight	Max 5kg(per door)

Parts List

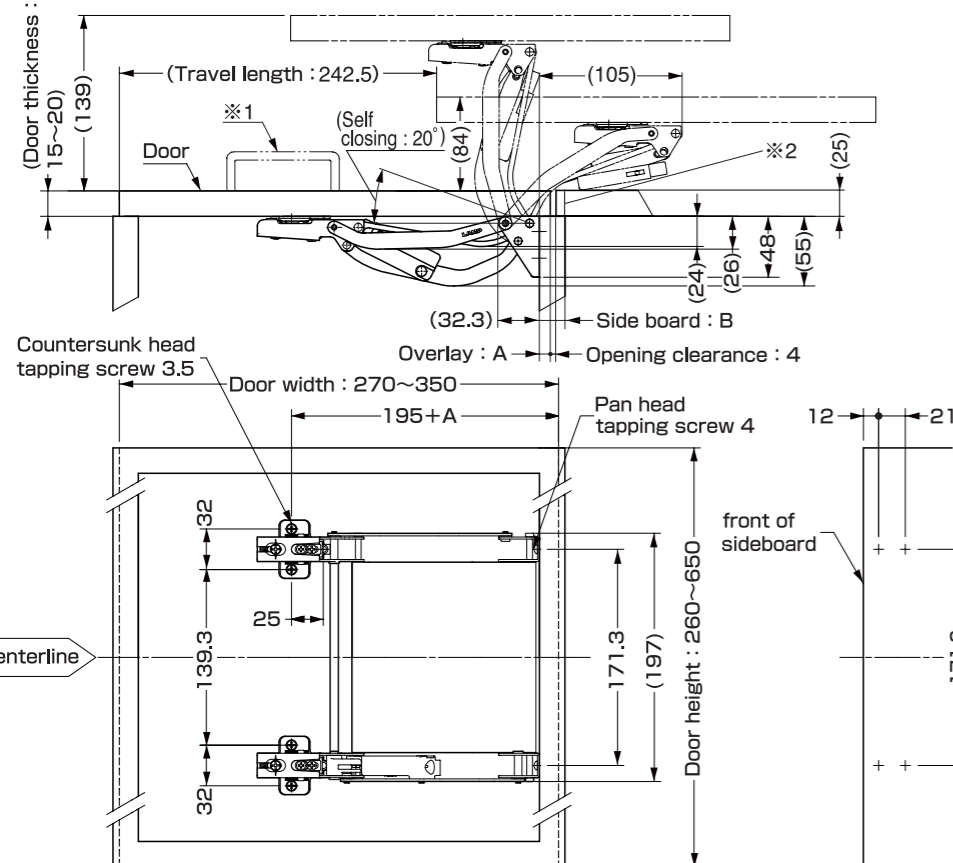
① FAD-5 Body.....1 pc.



② Mounting Plate...2pcs.



Overall (unit: mm) Picture shows the left hand door use. (Right hand door use is symmetrically reverse.) Prepare the door and sideboard as the following dimensions.

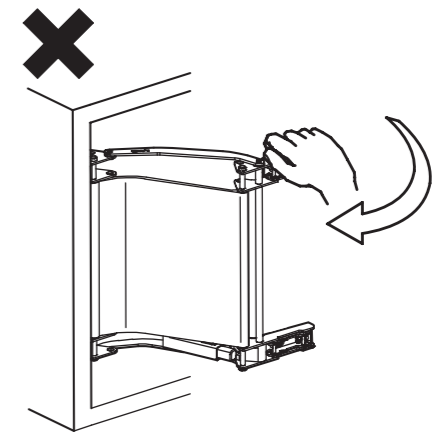
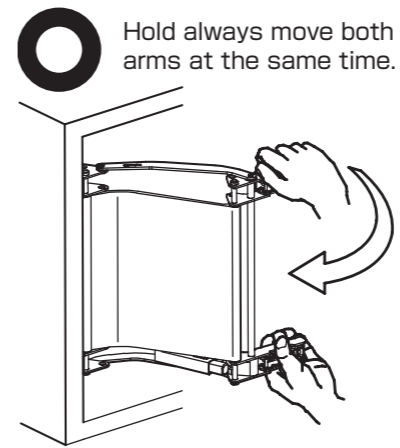


- ※ For the continuous doors installation,
 1. Be careful for the handle position in the next door.
 2. Be careful for the thickness of cushion material.(Ex: If the door thickness is 20 mm, cushion must be less 3mm/thick.)

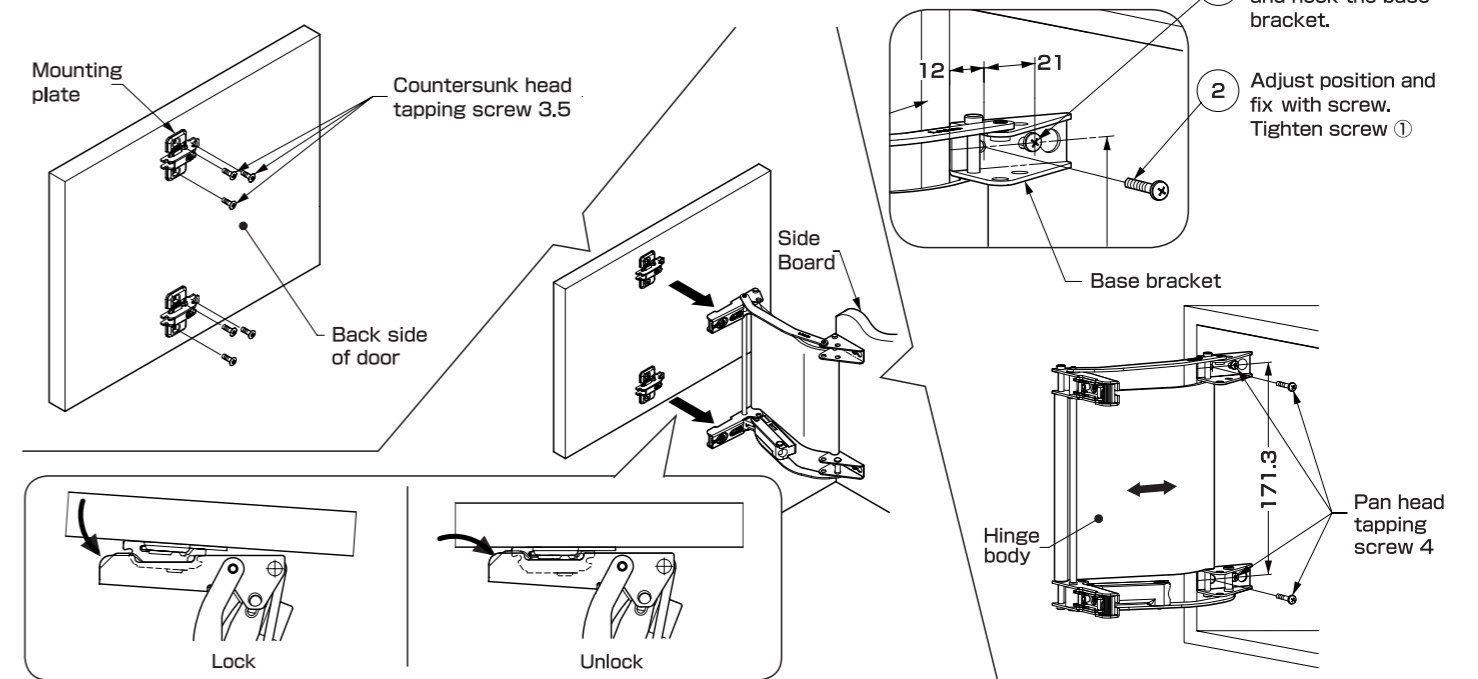
side board B (mm)	Overlay A(mm)				
	5	6	7	8	8.5~
15	21.5	-	-	-	-
16	22.5	21.5	-	-	-
17	23	22.5	-	-	-
18	23	22.5	-	-	-
19	23	-	-	-	-
20	23	-	-	-	-
21~	23	-	-	-	-
Total thickness of door and cushion(mm)					

WARNING

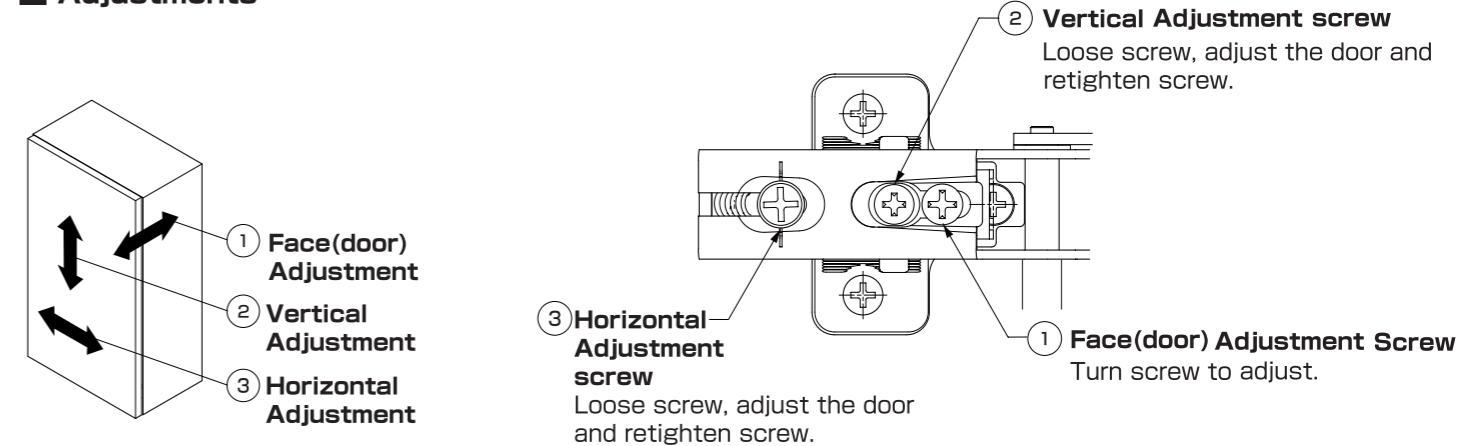
Do not use excessive force when operation the system.



Installation



Adjustments



Ensure that all the screws are securely tightened. Remove all the protection tape after assembly is finished.

SUGATSUNE KOGYO CO.,LTD.
 Phone: +81 (0)3 3866 2260
 Fax: +81 (0)3 3866 4447
 E-mail: export@sugatsune.co.jp
 Website: www.sugatsune-intl.com

SUGATSUNE KOGYO (UK) LTD.
 Phone: +44 (0)1491 680737
 Fax: +44 (0)1491 680762
 E-mail: sales@sugatsune.co.uk
 Website: www.sugatsune.co.uk

SUGATSUNE AMERICA, INC.
 Phone: +1 310 329 6373
 Fax: +1 310 329 0819
 E-mail: sales@sugatsune.com
 Website: www.sugatsune.com

SUGATSUNE SHANGHAI CO., LTD.
 Phone: +86 (0)21 3632 1858
 Fax: +86 (0)21 3632 1868
 E-mail: lamp@sugatsune.com.cn
 Website: www.sugatsune.com.cn

ISO9001(Japan offices only)and ISO14001(Chiba production division and Logistic center only)certified.

LAMP
 SUGATSUNE