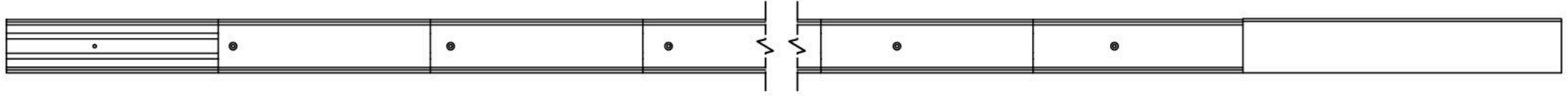
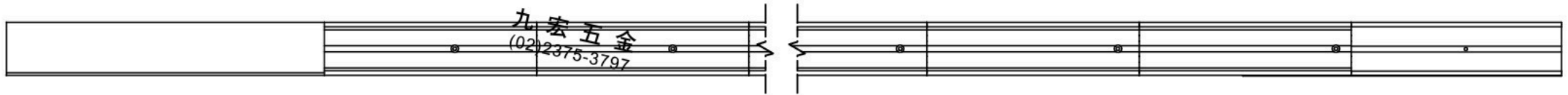
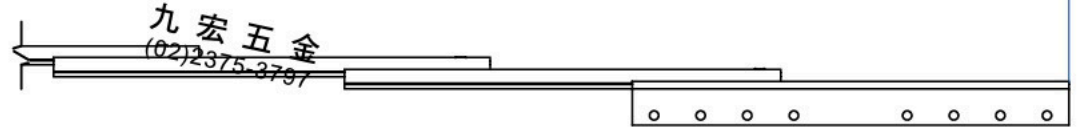
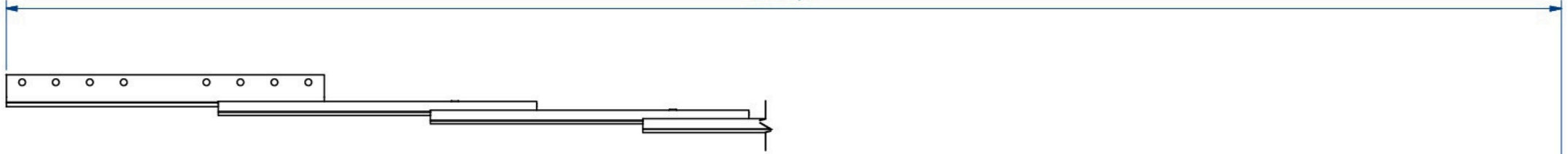


DESIGNED BY <b>F.Dino</b>	CHECKED AND APPROVED BY <b>L. Paleari</b>	REVISION	DATE 14/04/2016	CODE 9115300
		GENERAL TOLERANCE SS-ISO-2768-1M	UNIT mm	SHEET 1 of 3
		DESCRIPTION	MATERIAL Aluminum	
DEVICE		PAIR WEIGHT 3,79 Kg	06C	
<small>Property of RAM Industrie. Without its written authorization the present drawing shall neither be used for construction anyway, communicated to third parties, nor reproduced.</small>				

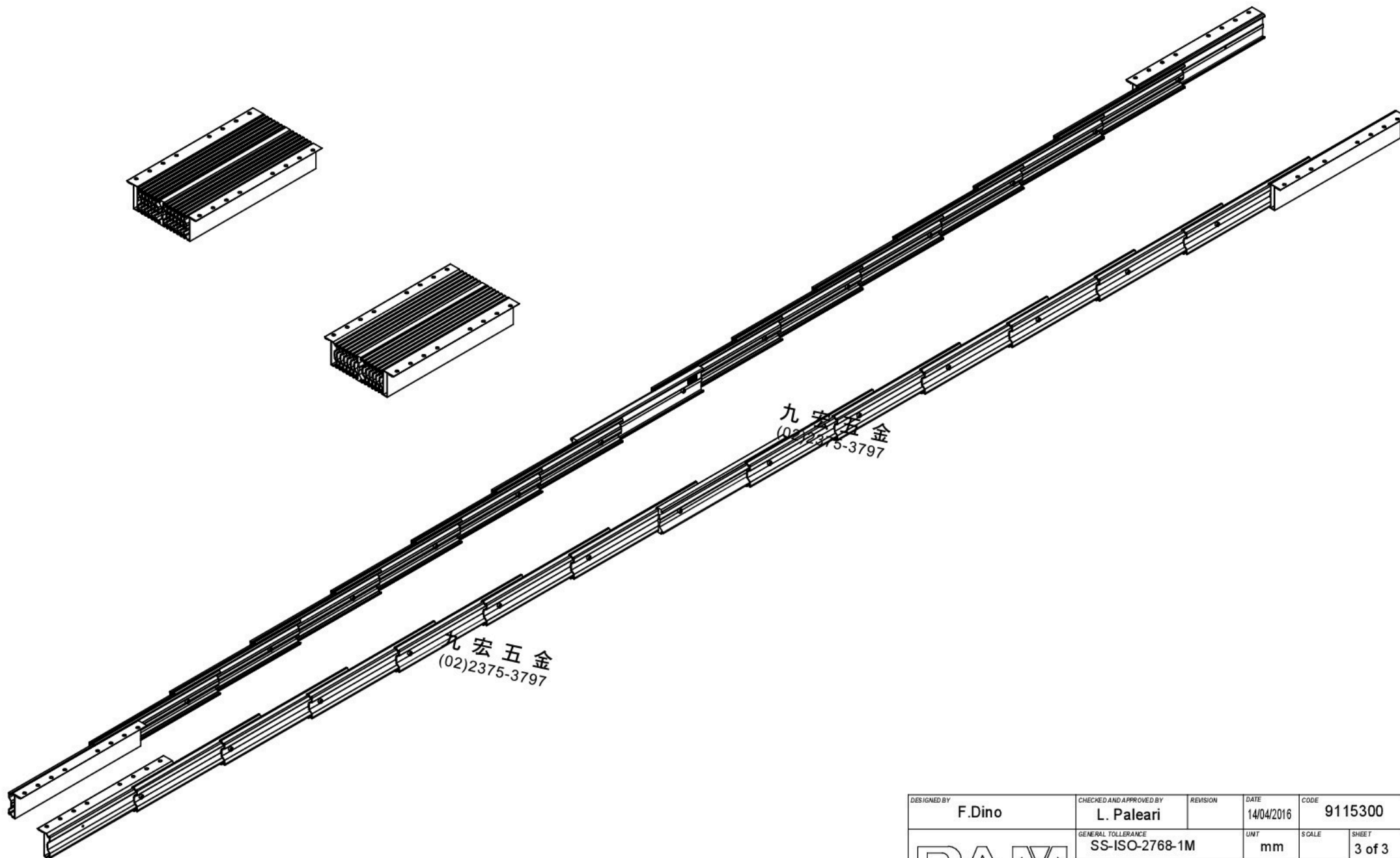


3098,0



DESIGNED BY <b>F.Dino</b>	CHECKED AND APPROVED BY <b>L. Paleari</b>	REVISION	DATE 14/04/2016	CODE 9115300
<b>RAM INDUSTRIE</b>	GENERAL TOLERANCE <b>SS-ISO-2768-1M</b>	UNIT <b>mm</b>	SCALE	SHEET 2 of 3
	DESCRIPTION	MATERIAL <b>Aluminum</b>		
	DEVICE	PAIR WEIGHT <b>3,79 Kg</b>	<b>06C</b>	

Property of RAM Industrie.  
Without its written authorization the present drawing shall neither be used for construction anyway, communicated to third parties, nor reproduced.

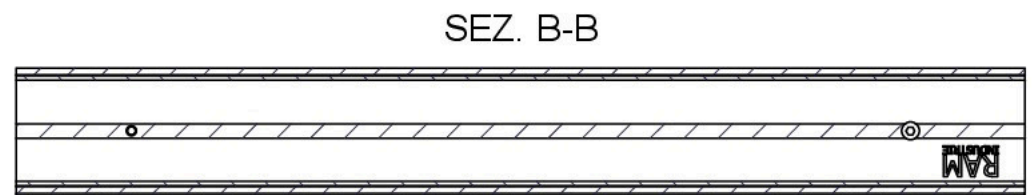
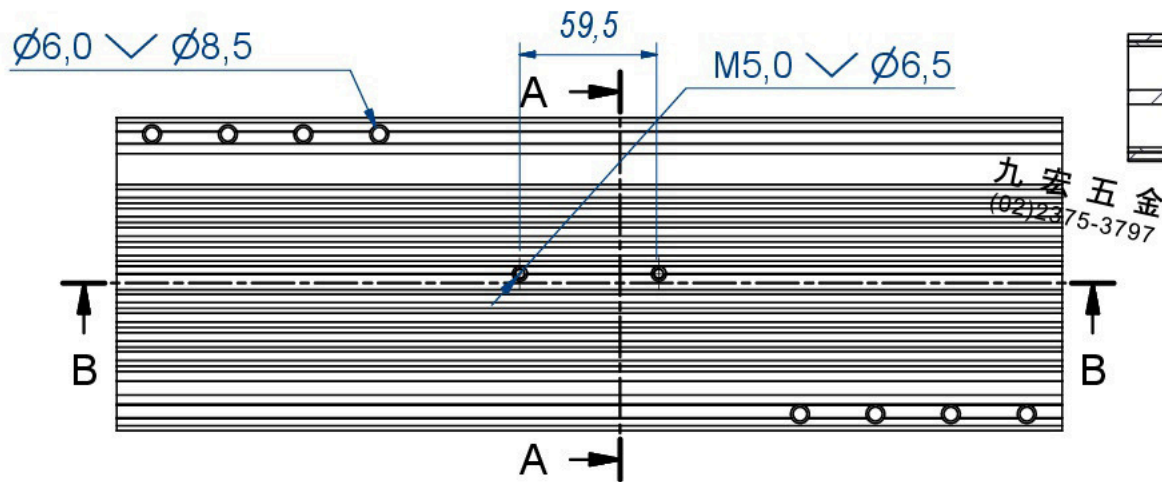
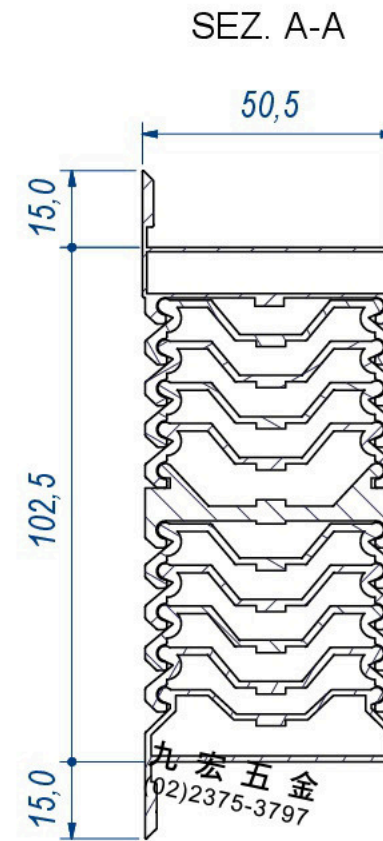
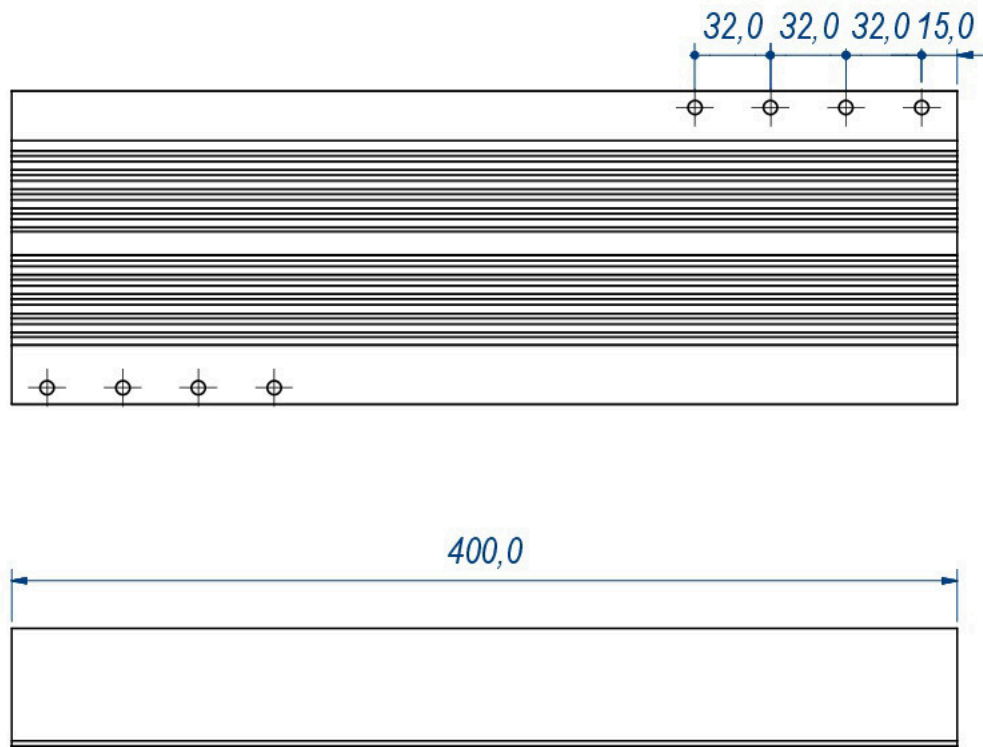


九宏五金  
(02)2375-3797

九宏五金  
(02)2375-3797

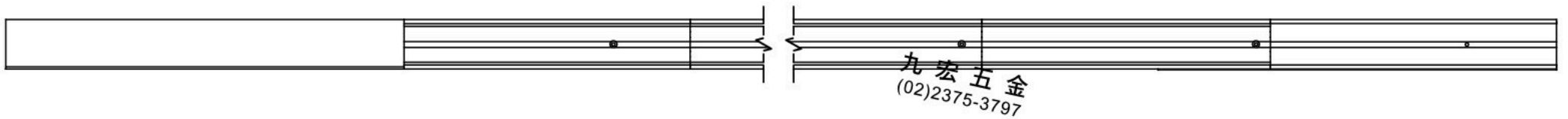
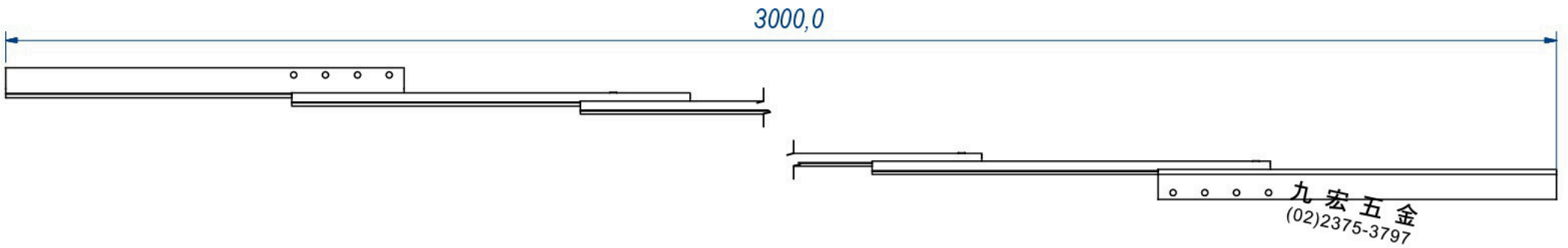
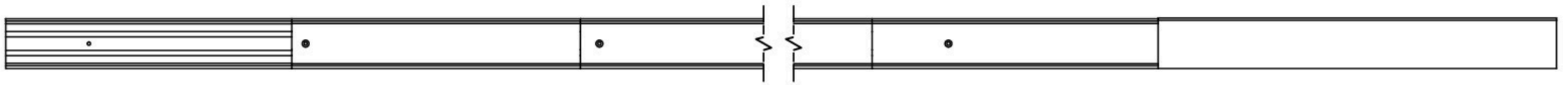
DESIGNED BY <b>F.Dino</b>	CHECKED AND APPROVED BY <b>L. Paleari</b>	REVISION	DATE 14/04/2016	CODE <b>9115300</b>
<b>RAM INDUSTRIE</b>	GENERAL TOLERANCE <b>SS-ISO-2768-1M</b>	UNIT <b>mm</b>	SCALE	SHEET <b>3 of 3</b>
	DESCRIPTION	MATERIAL <b>Aluminum</b>		
	DEVICE	PAIR WEIGHT <b>3,79 Kg</b>	<b>06C</b>	

Property of RAM Industrie.  
Without its written authorization the present drawing shall neither be used for construction anyway, communicated to third parties, nor reproduced.



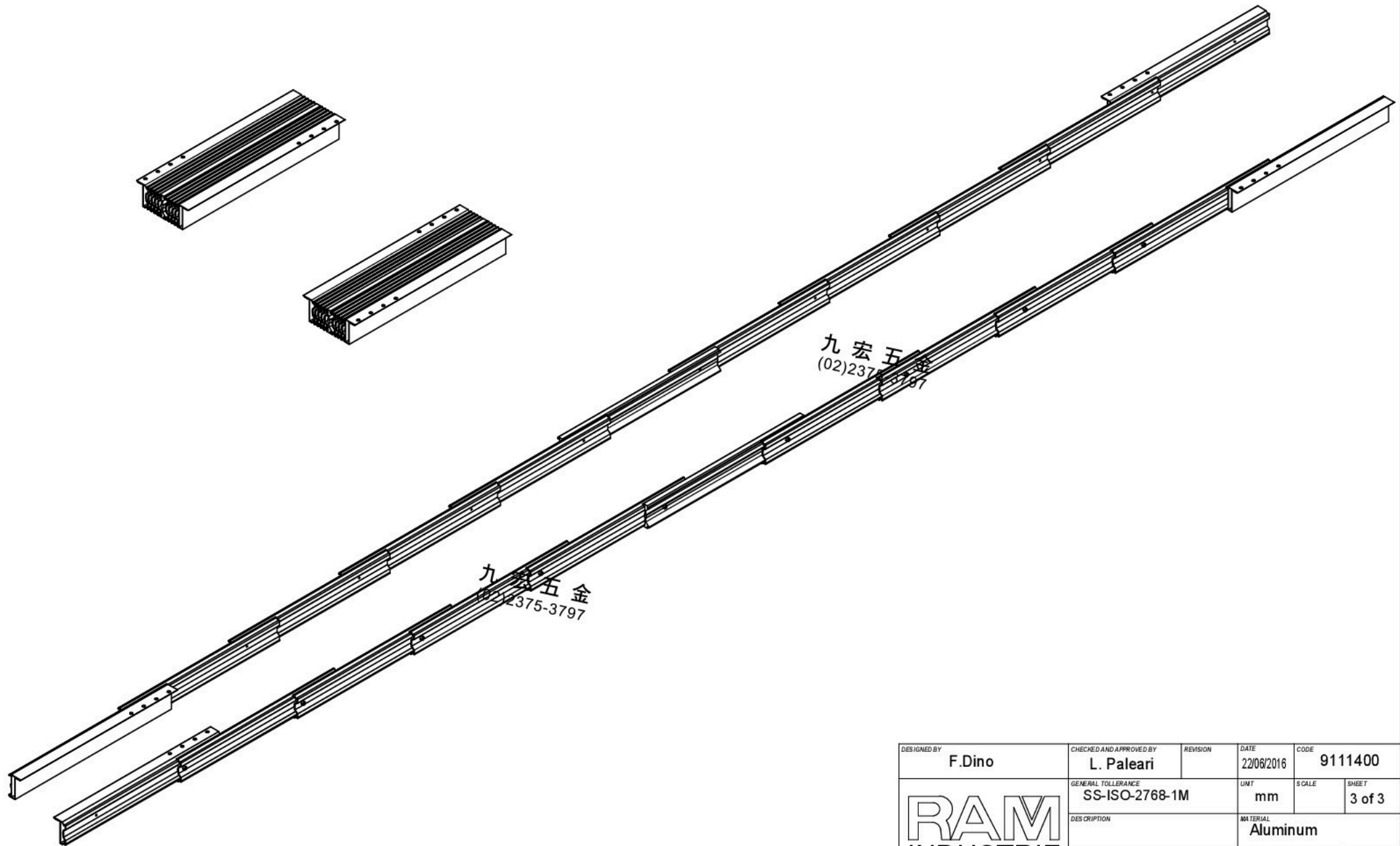
DESIGNED BY <b>F.Dino</b>	CHECKED AND APPROVED BY <b>L. Paleari</b>	REVISION	DATE 22/06/2016	CODE 9111400
		GENERAL TOLERANCE <b>SS-ISO-2768-1M</b>	UNIT mm	SHEET 1 of 3
		DESCRIPTION	MATERIAL <b>Aluminum</b>	
DEVICE		PAIR WEIGHT 3,818 Kg	06C	

Property of RAM Industrie.  
Without its written authorization the present drawing shall neither be used for construction anyway, communicated to third parties, nor reproduced.



DESIGNED BY <b>F.Dino</b>	CHECKED AND APPROVED BY <b>L. Paleari</b>	REVISION	DATE 22/06/2016	CODE 9111400
<b>RAM INDUSTRIE</b>	GENERAL TOLERANCE <b>SS-ISO-2768-1M</b>	UNIT mm	SCALE	SHEET 2 of 3
	DESCRIPTION	MATERIAL <b>Aluminum</b>		
	DEVICE	PAIR WEIGHT 3,818 Kg	<b>06C</b>	

Property of RAM Industrie.  
Without its written authorization the present drawing shall neither be used for construction anyway, communicated to third parties, nor reproduced.



九宏五金  
(02)2375-3797

九宏五金  
(02)2375-3797

DESIGNED BY <b>F.Dino</b>	CHECKED AND APPROVED BY <b>L. Paleari</b>	REVISION	DATE 22/06/2016	CODE <b>9111400</b>
<b>RAM INDUSTRIE</b>	GENERAL TOLERANCE <b>SS-ISO-2768-1M</b>	UNIT <b>mm</b>	SCALE	SHEET <b>3 of 3</b>
	DESCRIPTION	MATERIAL <b>Aluminum</b>		
	DEVICE	PAIR WEIGHT <b>3,818 Kg</b>	<b>06C</b>	

Property of RAM Industrie.  
Without its written authorization the present drawing shall neither be used for construction anyway, communicated to third parties, nor reproduced.