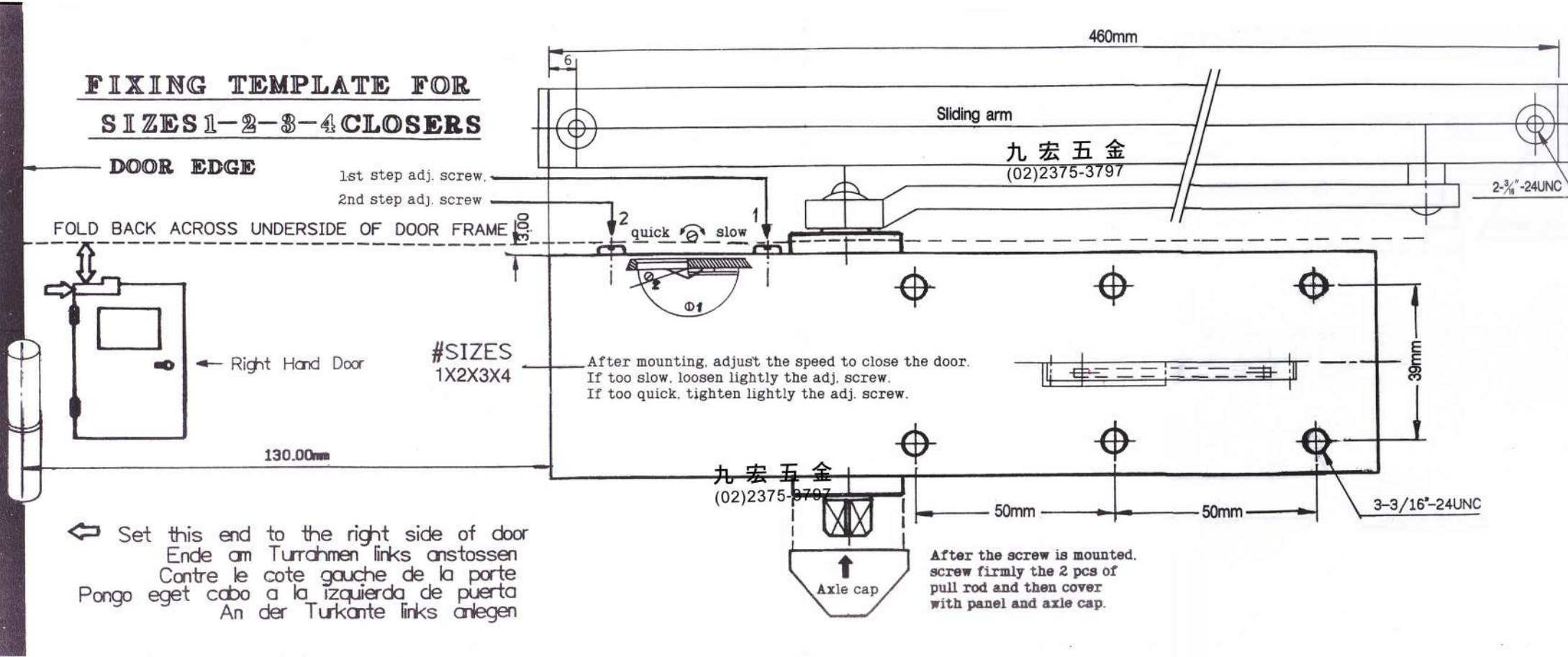


# FIXING TEMPLATE FOR SIZES 1-2-3-4 CLOSERS



DOOR EDGE

1st step adj. screw  
2nd step adj. screw

FOLD BACK ACROSS UNDERSIDE OF DOOR FRAME

Right Hand Door

130.00mm

#SIZES  
1X2X3X4

After mounting, adjust the speed to close the door.  
If too slow, loosen lightly the adj. screw.  
If too quick, tighten lightly the adj. screw.

九宏五金  
(02)2375-3797

Axle cap

After the screw is mounted,  
screw firmly the 2 pcs of  
pull rod and then cover  
with panel and axle cap.

← Set this end to the right side of door  
Ende am Türrahmen links anstossen  
Contre le cote gauche de la porte  
Pongo eget cabo a la izquierda de puerta  
An der Türkante links anlegen

460mm

Sliding arm

九宏五金  
(02)2375-3797

2-3/8" -24UNC

39mm

3-3/16" -24UNC

50mm

50mm

