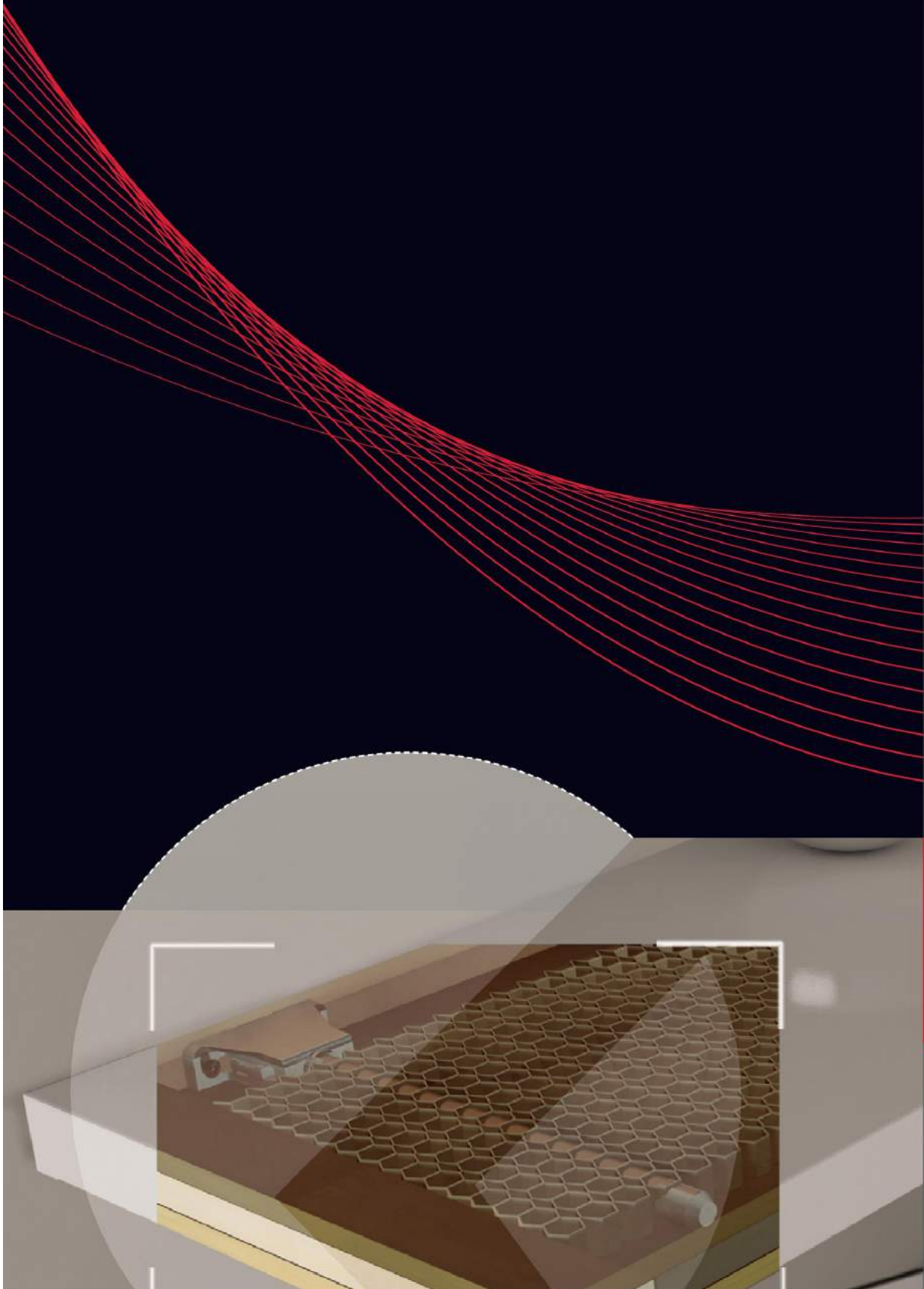


TRIADE XXL



WOOD AND
GLASS
SHELVING
SYSTEMS



TRIADE XXL

TRIADE XXL is the concealed mounting bracket for honeycomb shelves minimum 40mm thick. It has been conceived to simplify the shelf installation.

It is provided with three independent adjustments:

1) **VERTICAL**

Before installing the shelf, the mounting brackets can be adjusted in height and (vertically) aligned through the slots.

2) **HORIZONTAL**

While placing the shelf in position, the supporting pins can be slid horizontally.

3) **INCLINATION**

When the shelf is partially inserted, the shelf angle can be adjusted front to back by turning the supporting pins with a 12mm open-ended wrench.

The capacity loading is 20Kg each (shelf weight included) for a shelf max 400mm deep.

Shelf minimum depth: 300mm

Zinc alloy and steel

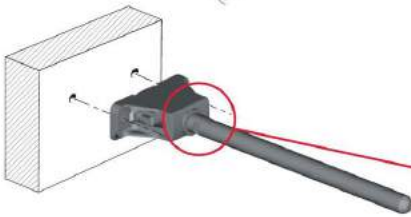
40 mm min. 

20 kg for each shelf support for shelf 400 mm deep 

PAT. PENDING 

INSTALLATION AND ADJUSTMENTS

WOOD PANEL

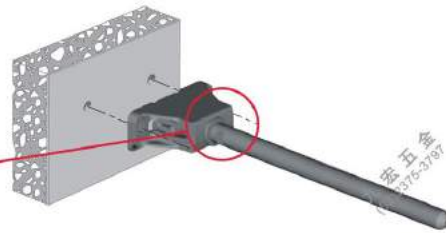


Recommended fixing pan head screw type - head Ø 5 mm max

VERY IMPORTANT
Triade XXL has to be installed with the arrow facing upwards.

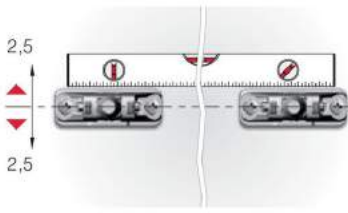


SOLID AND PLASTERBOARD PANEL

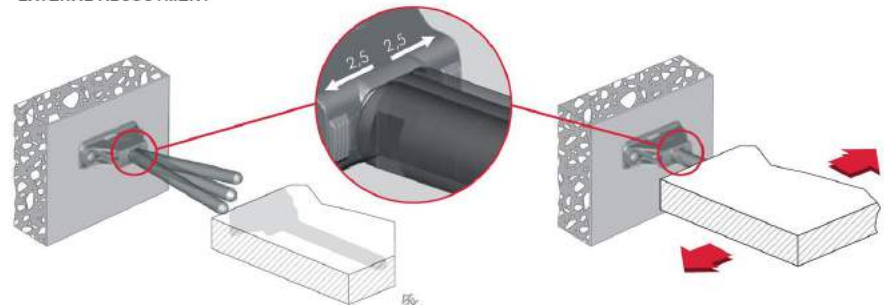


It is the responsibility of the customer:
- to ensure the wall is of a suitable quality to hold the shelf fixing in place.
- to use the proper hardware fittings according to the construction of the wall.
For more specific information, please refer to the WARNINGS section at the end of the catalogue.

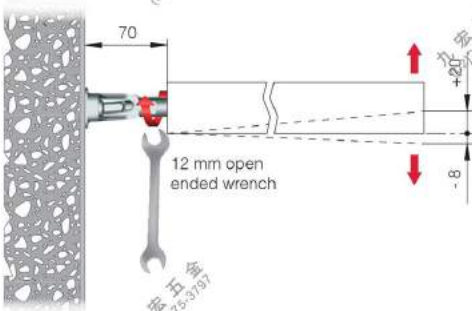
BRACKET ALIGNMENT



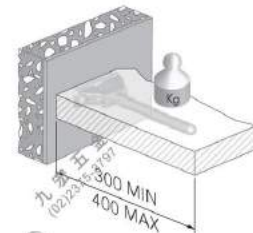
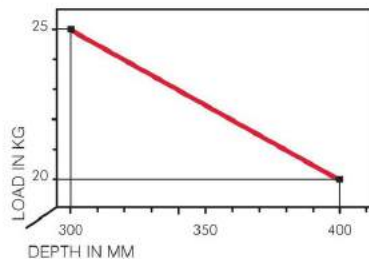
LATERAL ADJUSTMENT



INCLINATION ADJUSTMENT



COMBINATION SHELF LOAD AND SHELF DEPTH (The figures refer to 1 shelf support)



+ shelf weight = 20 kg MAX for each shelf support

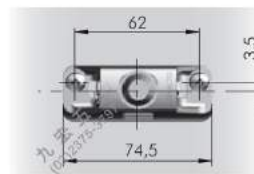
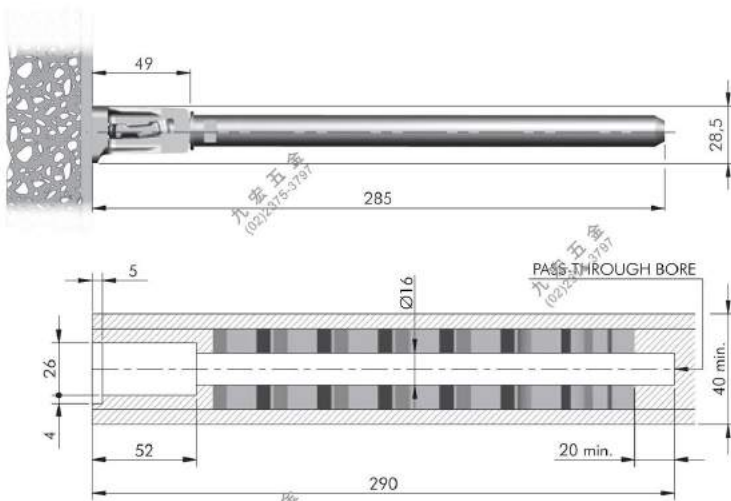
For installation details refer to "APPLICATION FOR ALL TRIADE VERSIONS"



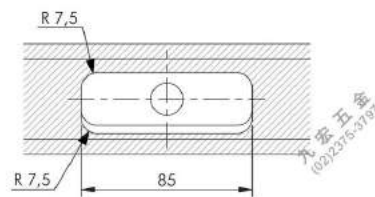
= PZ2
 = open ended wrench 12 mm

 = 25 pcs.

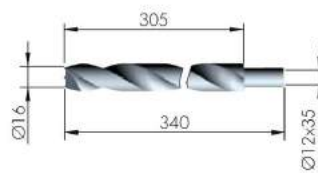
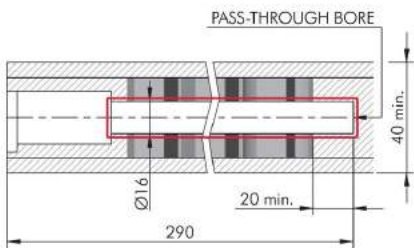
123
 1621701000



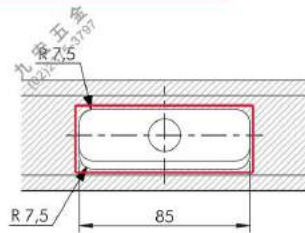
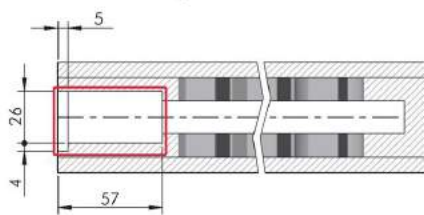
VERY IMPORTANT
Centre of the hole is shifted 3,5 mm upwards. Please keep in mind when levelling the shelf.



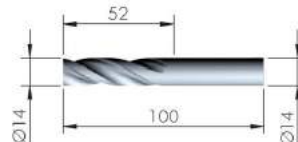
DRILL BIT FOR TRIADE XXL



 = on request
 123
 1621456000



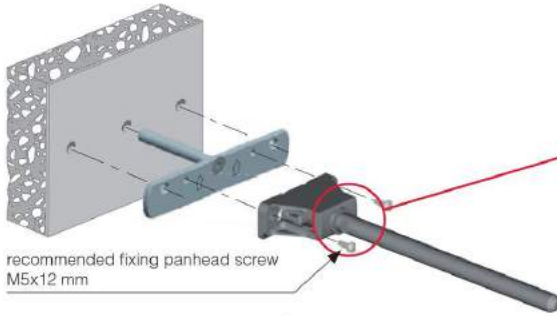
 = on request
 123
 1621454000



TRIADE XXL AND BRACKET

INSTALLATION

SOLID AND PLASTERBOARD PANEL



recommended fixing panhead screw
M5x12 mm

VERY IMPORTANT

Triade XXL has to be installed
with the arrow facing upwards.

It is the responsibility of the customer:

- to ensure the wall is of a suitable quality to hold the shelf fixing in place.
- to use the proper hardware fittings according to the construction of the wall.

For more specific information, please refer to the WARNINGS section at the end of the catalogue.



九家五金
(02)2375-3797

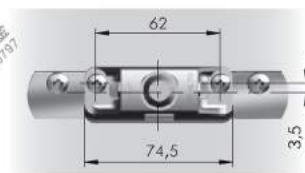
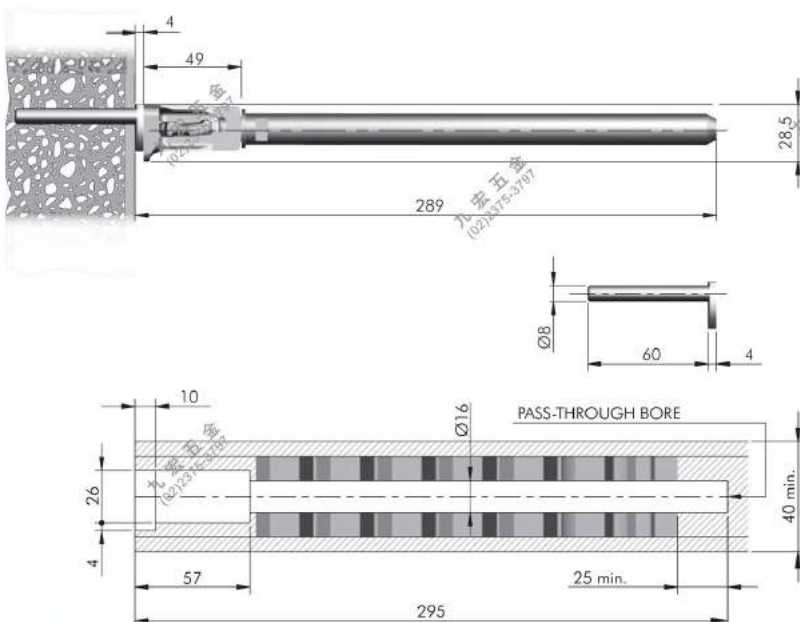
九家五金
(02)2375-3797

| | |
|------------|------------------------------|
| = PZ2 | = open ended wrench 12 mm |
| ZA | ST |
| 123 | = 25 pcs. |
| 1621701000 | 九家五金 (02)2375-3797 |

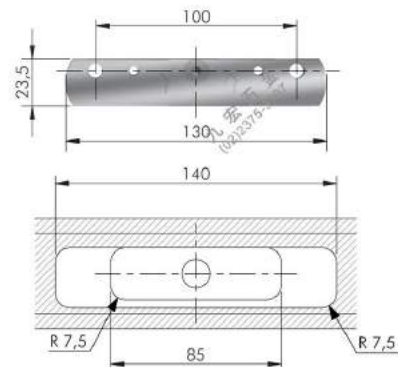


九家五金
(02)2375-3797

| | |
|------------|------------|
| = M5 | = 100 pcs. |
| ST | |
| 123 | |
| 16215030ZN | |

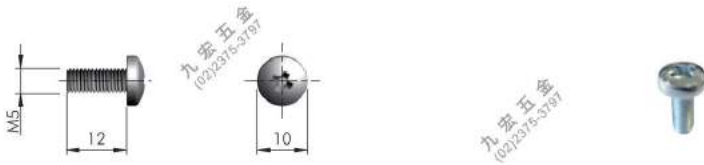


VERY IMPORTANT
Centre of the hole
is shifted 3,5 mm
upwards.
Please keep in mind
when levelling the
shelf.



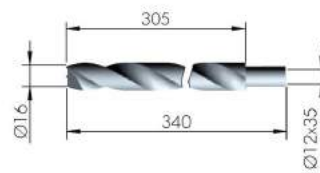
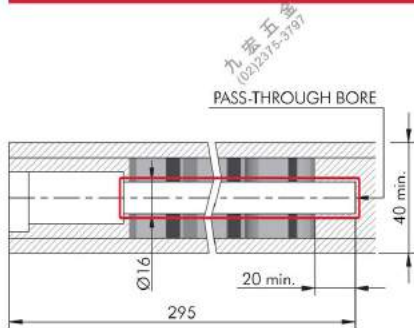


TRIADE MAXI BRACKET FIXING ACCESSORY

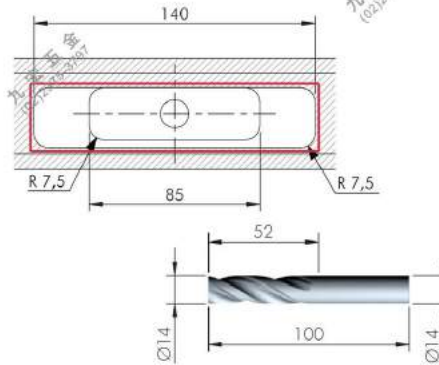
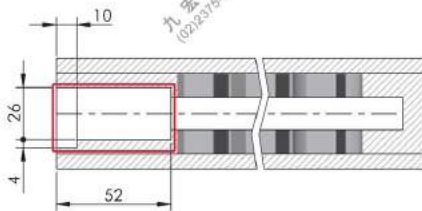


| | | |
|------------|-------|-------------|
| = M5 | = PZ2 | = 1000 pcs. |
| ST | | |
| | | |
| 60334030ZN | | |

DRILL BIT FOR TRIADE XXL AND BRACKET



| | |
|------------|--------------|
| HSS | = on request |
| | |
| 1621456000 | |

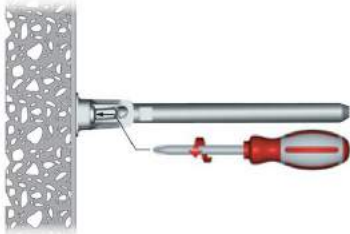


| | |
|------------|--------------|
| HSS | = on request |
| | |
| 1621454000 | |

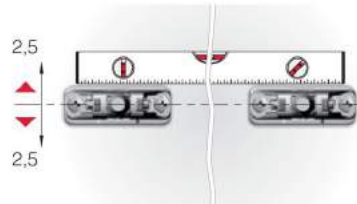
APPLICATION FOR ALL TRIADE VERSIONS

VERTICAL ADJUSTMENTS

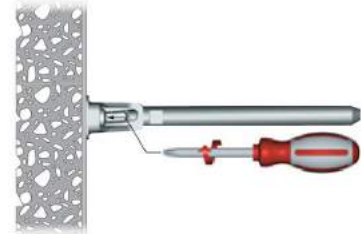
RELEASE THE FIXING SCREWS



ALIGN BRACKETS VERTICALLY ACCORDINGLY

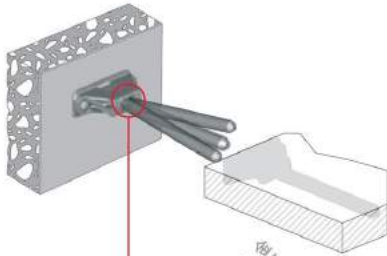


TIGHT THE FIXING SCREWS

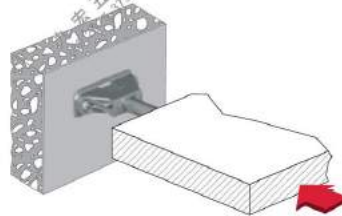


SHELF INSERTING AND LATERAL ADJUSTMENT

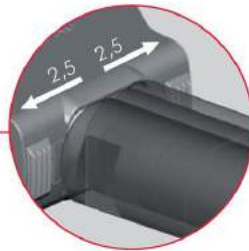
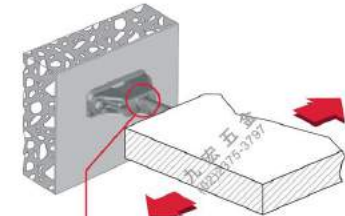
TILT THE SHELF TO MATCH BOTH SUPPORTING PINS AND SHELF HOUSINGS



INSERT PARTIALLY THE SHELF

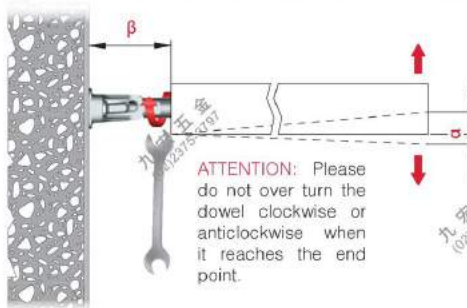


ADJUST THE SHELF Laterally ACCORDING TO THE APPLICATION (i.e. MULTI-SHELF COMPOSITION)



INCLINATION ADJUSTMENTS

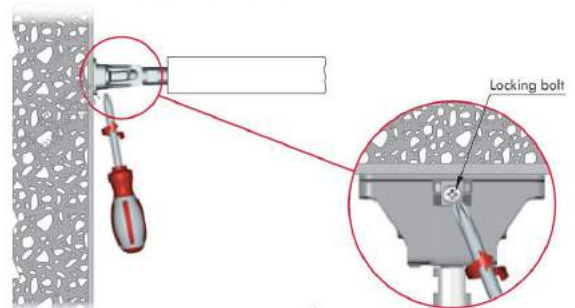
TURN CLOCKWISE THE SUPPORTING PIN WITH A 10 - 12 mm OPEN-ENDED WRENCH TO ADJUST THE SHELF ANGLE FRONT TO BACK ACCORDINGLY



ATTENTION: Please do not over turn the dowel clockwise or anticlockwise when it reaches the end point.

| MODEL | β (mm) | α (mm) |
|-------------|--------------|---------------|
| TRIADE MINI | approx. 45 | -6 +13 |
| TRIADE | approx. 45 | -6 +13 |
| TRIADE MAXI | approx. 70 | -8 +20 |
| TRIADE XXL | approx. 70 | -8 +20 |

SCREW THE LOCKING BOLT TO BLOCK THE PIN



SHELF INSERTING FOR ALL TRIADE MODELS

PUSH THE SHELF AGAINST THE WALL UNTIL THE END



SHELF INSERTING FOR TRIADE MODEL ONLY, WITH DRILLING PLAN FOR SHELVES 25-29 mm THICK

PUSH THE SHELF AGAINST THE WALL UNTIL THE END

