

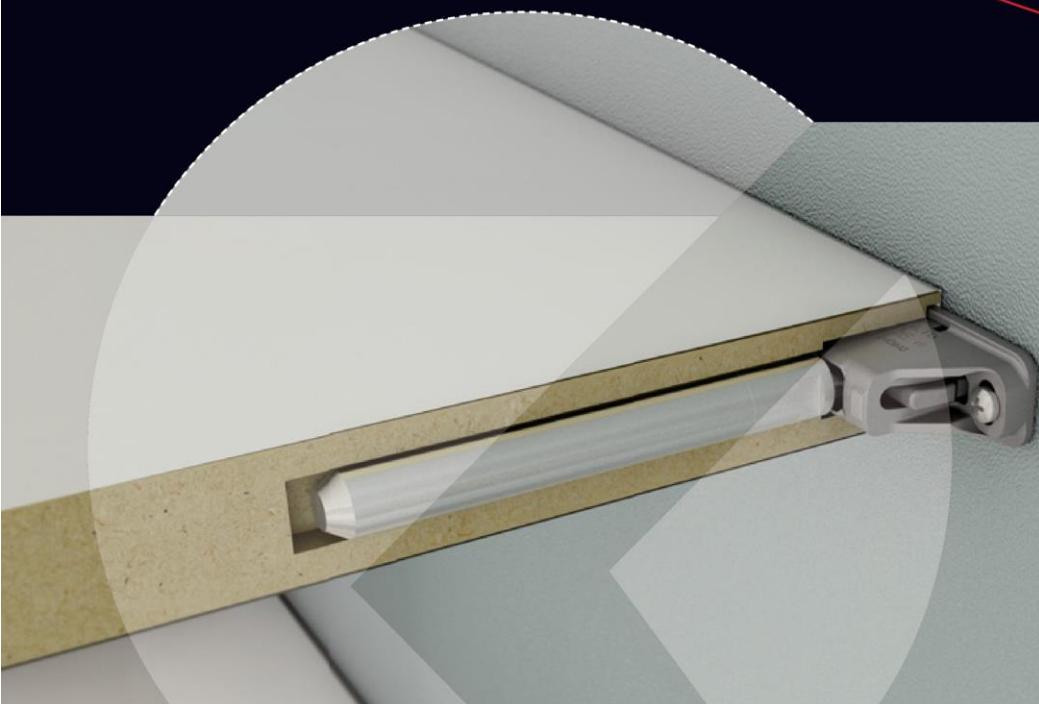
 **ITALIANA**<sup>®</sup>  
f e r r a m e n t a



TRIADE



WOOD AND  
GLASS  
SHELVING  
SYSTEMS



## TRIADE

**TRIADE** is the concealed mounting bracket for shelves 25 to 40mm thick. It has been conceived to simplify the shelf installation. It is provided with three independent adjustments:

1) **VERTICAL**

Before installing the shelf, the mounting brackets can be adjusted in height and (vertically) aligned through the slots.

2) **HORIZONTAL**

While placing the shelf in position, the supporting pins can be slid horizontally.

3) **INCLINATION**

When the shelf is partially inserted, the shelf angle can be adjusted front to back by turning the supporting pins with a 10mm open-ended wrench.

The capacity loading is 15Kg each (shelf weight included) for a shelf max 300mm deep.

Shelf minimum depth: 160mm

Zinc alloy and steel

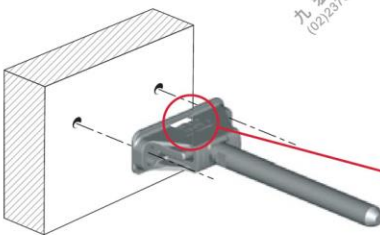
30-40 mm 

15 kg for each shelf support  
for shelf 300 mm deep 

PAT. PENDING 

### INSTALLATION AND ADJUSTMENTS

#### WOOD PANEL



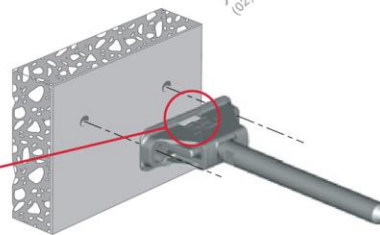
Recommended fixing pan head screw type - head Ø 5 mm max.

**VERY IMPORTANT**

Triade has to be installed with the writing "TOP - ALTO" facing upwards.



#### SOLID AND PLASTERBOARD PANEL

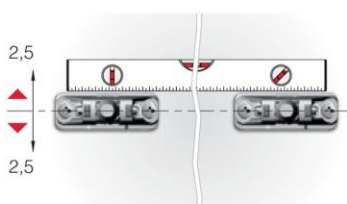


It is the responsibility of the customer:

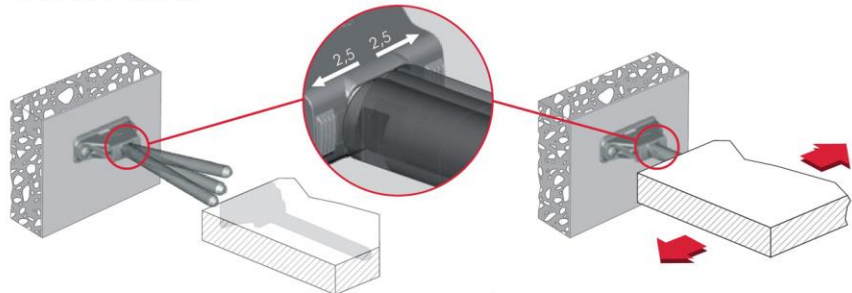
- to ensure the wall is of a suitable quality to hold the shelf fixing in place.
- to use the proper hardware fittings according to the construction of the wall.

For more specific information, please refer to the WARNINGS section at the end of the catalogue.

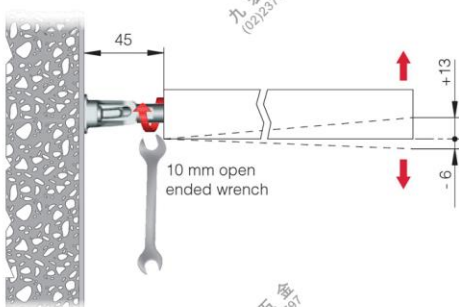
#### BRACKET ALIGNMENT



#### LATERAL ADJUSTMENT

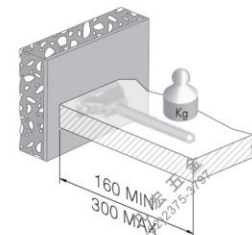
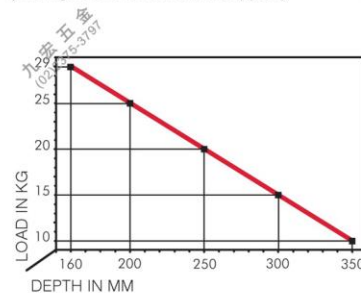


#### INCLINATION ADJUSTMENT



#### COMBINATION SHELF LOAD AND SHELF DEPTH

(The figures refer to 1 shelf support)

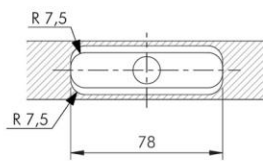
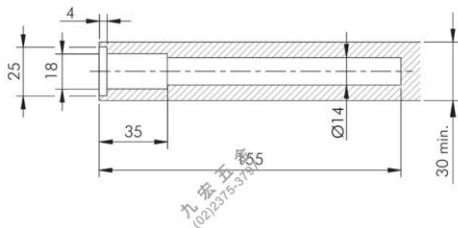
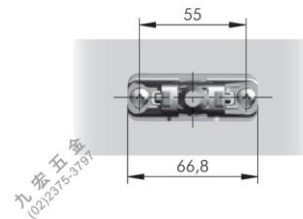
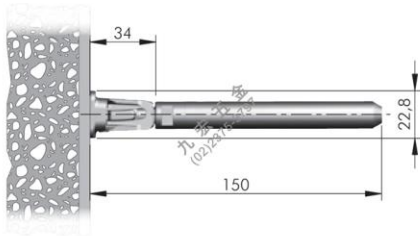


+ shelf weight = 15 kg MAX for each shelf support

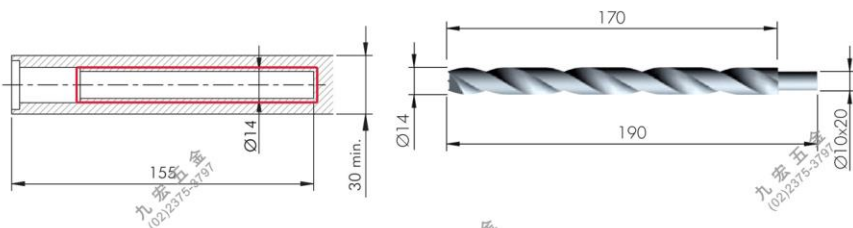
For installation details refer to "APPLICATION FOR ALL TRIADE VERSIONS"



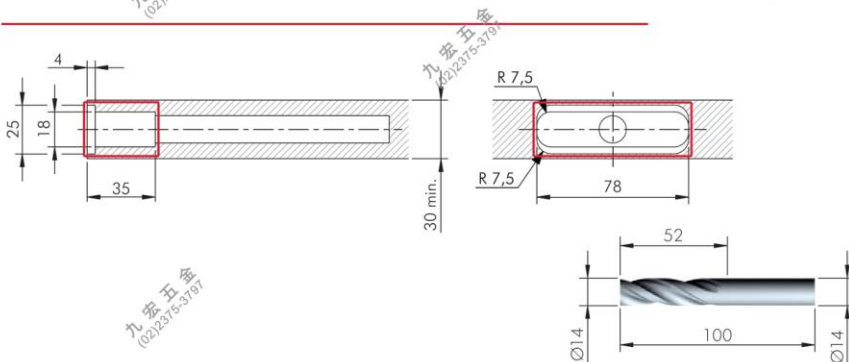
= PZ2	= open ended wrench 10 mm
ZA ST	= 50 pcs.
123	
1621501000	



**DRILL BIT FOR TRIADE**



HSS	= on request
123	
1621452000	

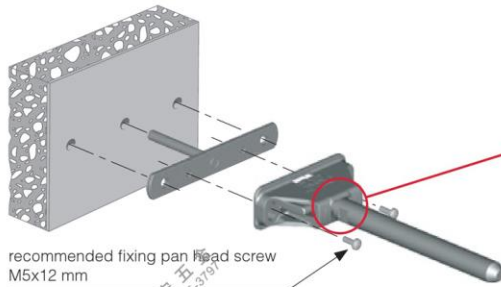


HSS	= on request
123	
1621454000	

## TRIADE AND BRACKET

### INSTALLATION

#### SOLID AND PLASTERBOARD PANEL



recommended fixing pan head screw  
M5x12 mm

#### VERY IMPORTANT

Triade has to be installed with the writing "TOP - ALTO" facing upwards.

It is the responsibility of the customer:  
- to ensure the wall is of a suitable quality to hold the shelf fixing in place.  
- to use the proper hardware fittings according to the construction of the wall.

For more specific information, please refer to the WARNINGS section at the end of the catalogue.



= PZ2      = open ended wrench 10 mm

ZA    ST

= 50 pcs.



1621501000

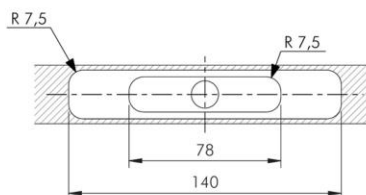
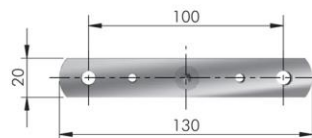
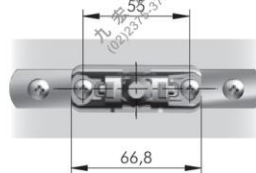
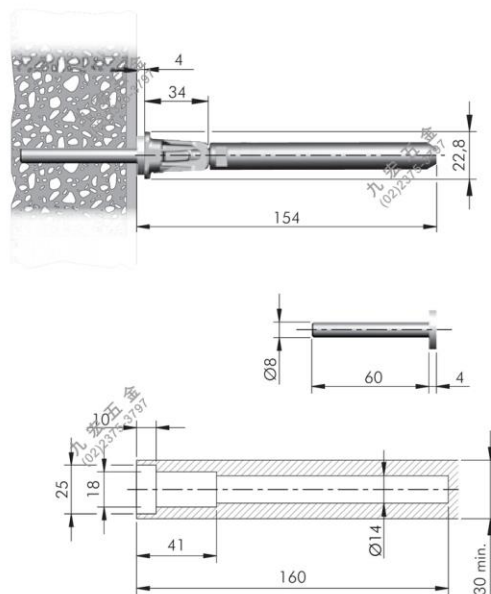
= M5

ST

= 100 pcs.



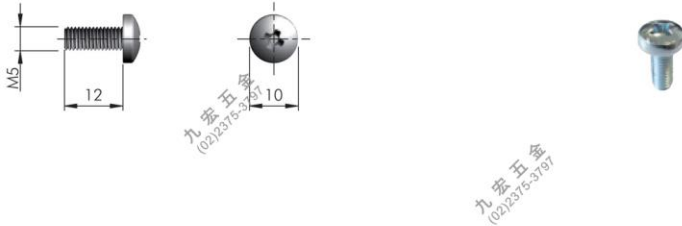
16215020ZN





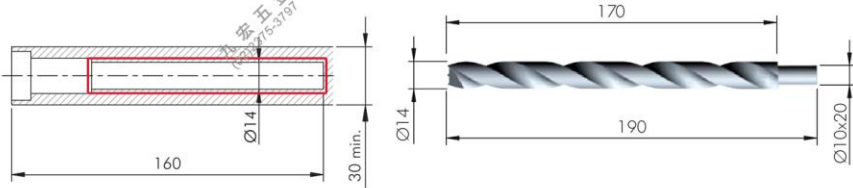


**TRIADE BRACKET FIXING ACCESSORY**

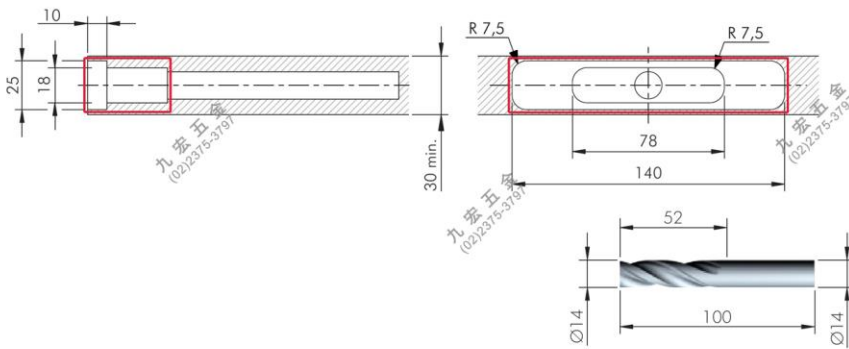


= M5	= PZ2	
ST	= 1000 pcs.	
60334030ZN		

**DRILL BIT FOR TRIADE AND BRACKET**



HSS	= on request
1621452000	



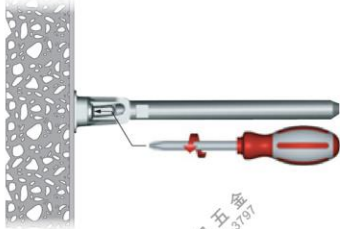
HSS	= on request
1621454000	

九家五金  
(02)2375-3797

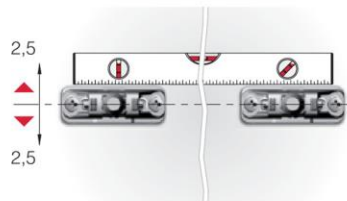
## APPLICATION FOR ALL TRIADE VERSIONS

### VERTICAL ADJUSTMENTS

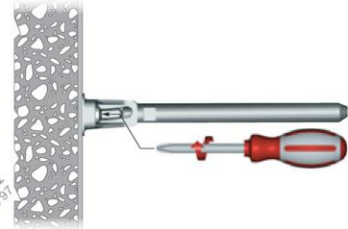
RELEASE THE FIXING SCREWS



ALIGN BRACKETS VERTICALLY ACCORDINGLY

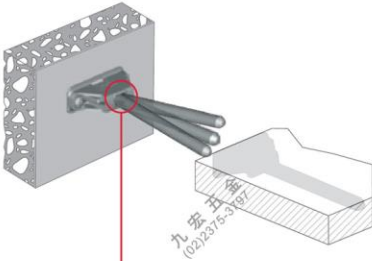


TIGHT THE FIXING SCREWS

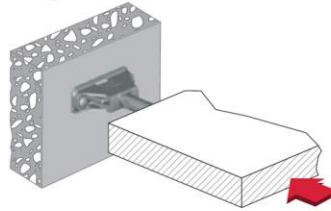


### SHELF INSERTING AND LATERAL ADJUSTMENT

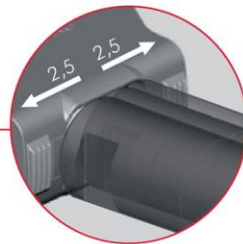
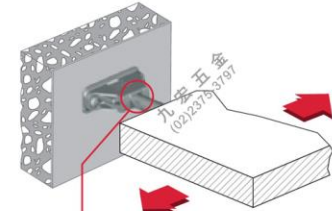
TILT THE SHELF TO MATCH BOTH SUPPORTING PINS AND SHELF HOUSINGS



INSERT PARTIALLY THE SHELF

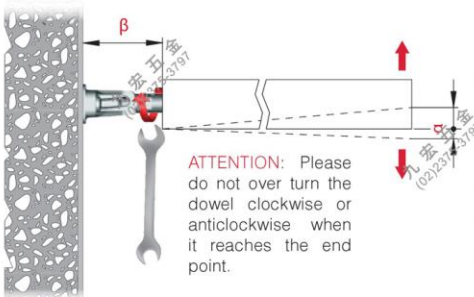


ADJUST THE SHELF Laterally ACCORDING TO THE APPLICATION (i.e. MULTI-SHELF COMPOSITION)



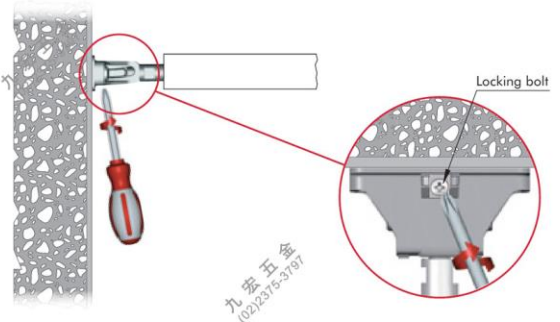
### INCLINATION ADJUSTMENTS

TURN CLOCKWISE THE SUPPORTING PIN WITH A 10 - 12 mm OPEN-ENDED WRENCH TO ADJUST THE SHELF ANGLE FRONT TO BACK ACCORDINGLY



MODEL	$\beta$ (mm)	$\alpha$ (mm)
TRIADE MINI	approx. 45	-6 +13
TRIADE	approx. 45	-6 +13
TRIADE MAXI	approx. 70	-8 +20
TRIADE XXL	approx. 70	-8 +20

SCREW THE LOCKING BOLT TO BLOCK THE PIN



### SHELF INSERTING FOR ALL TRIADE MODELS

PUSH THE SHELF AGAINST THE WALL UNTIL THE END

