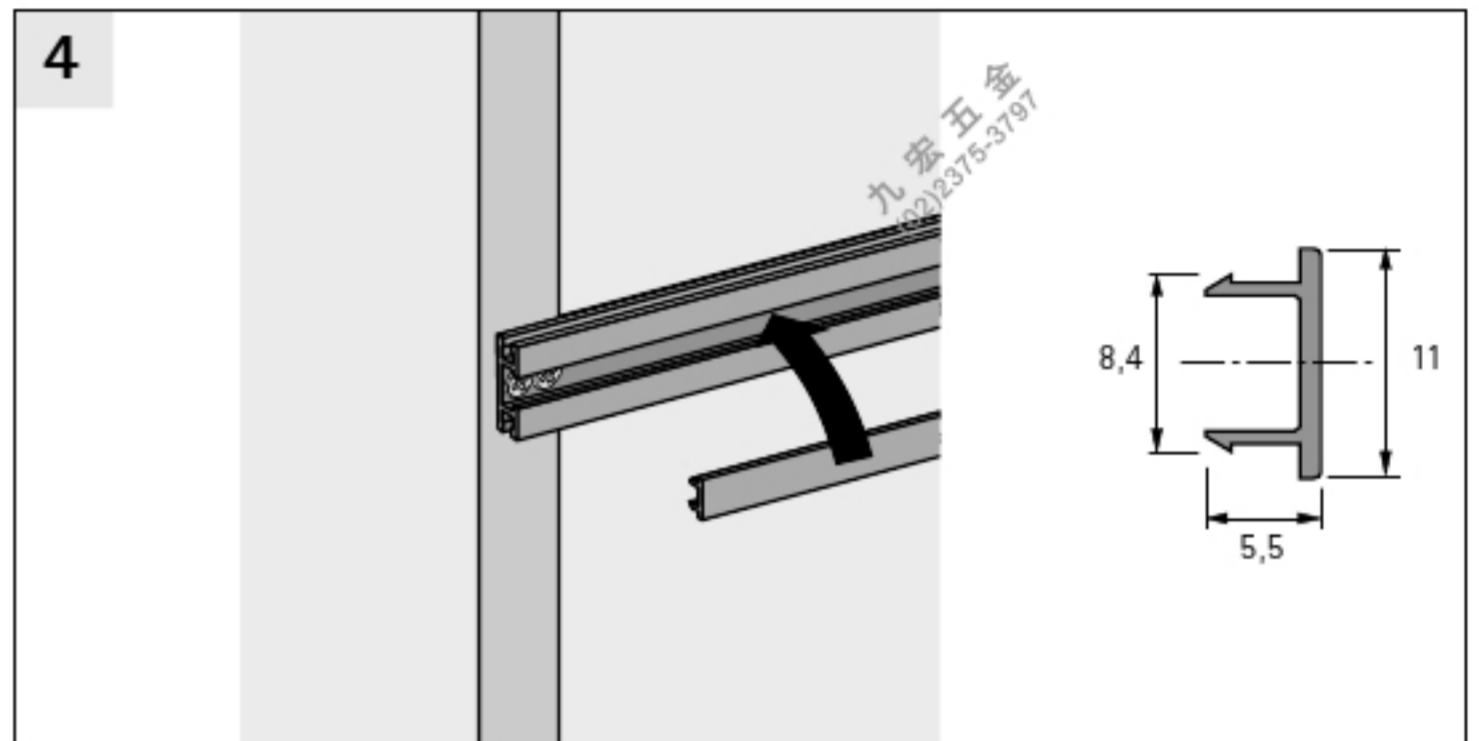
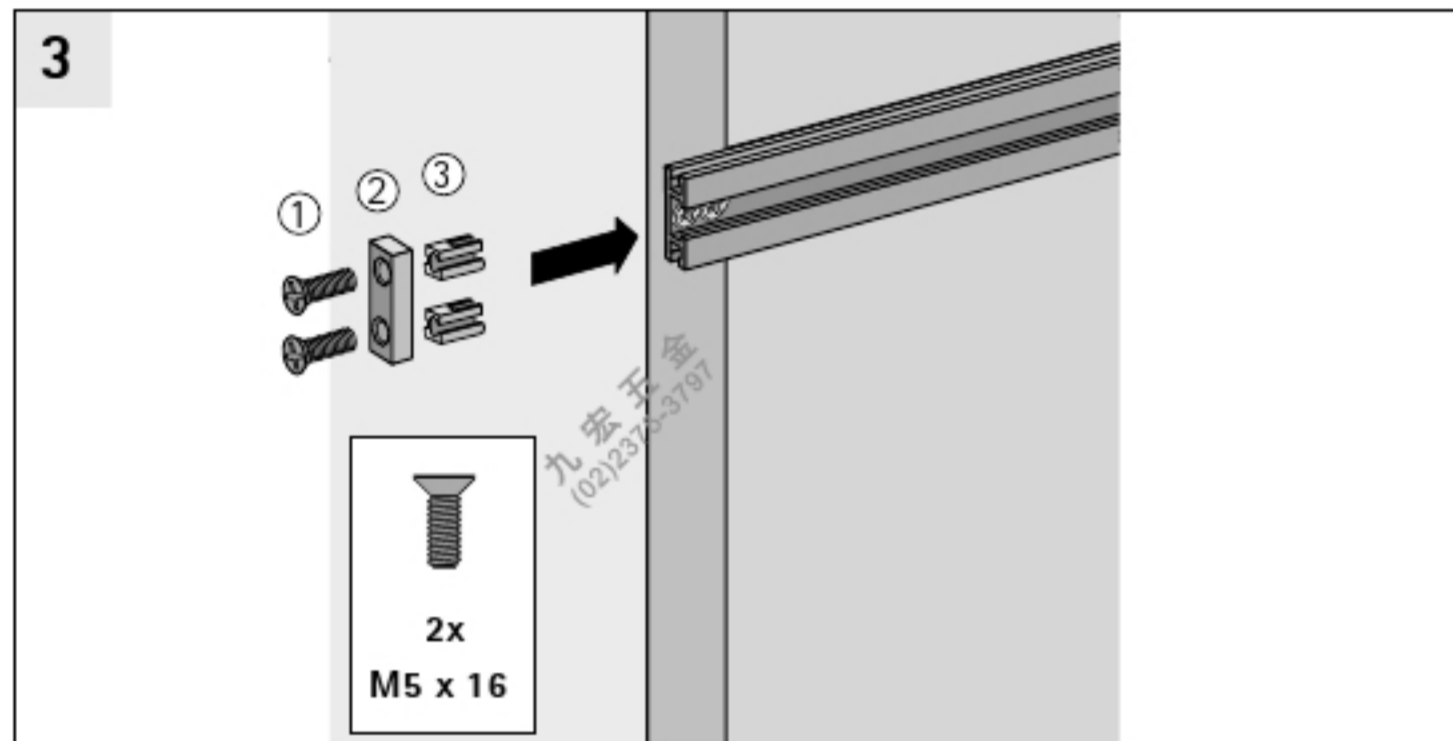
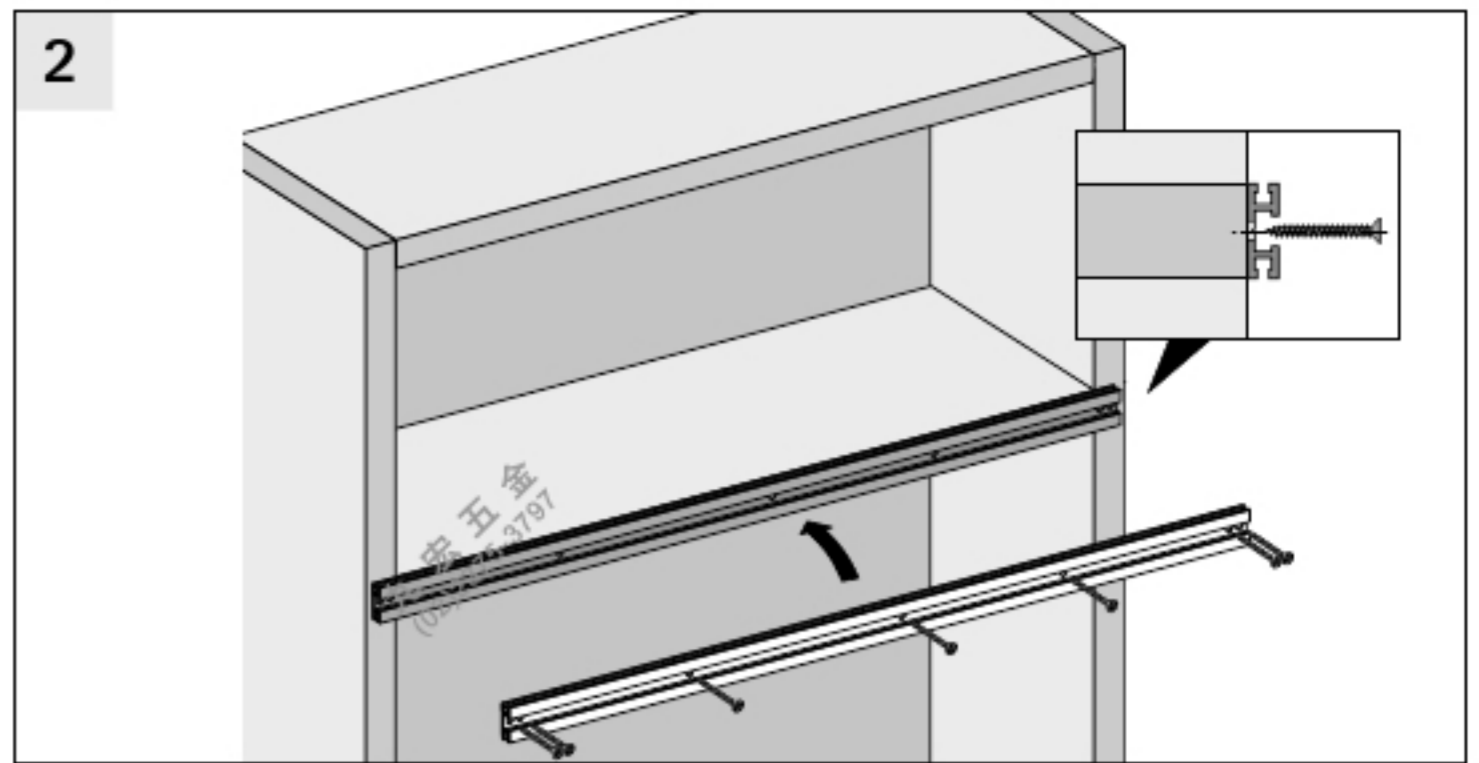
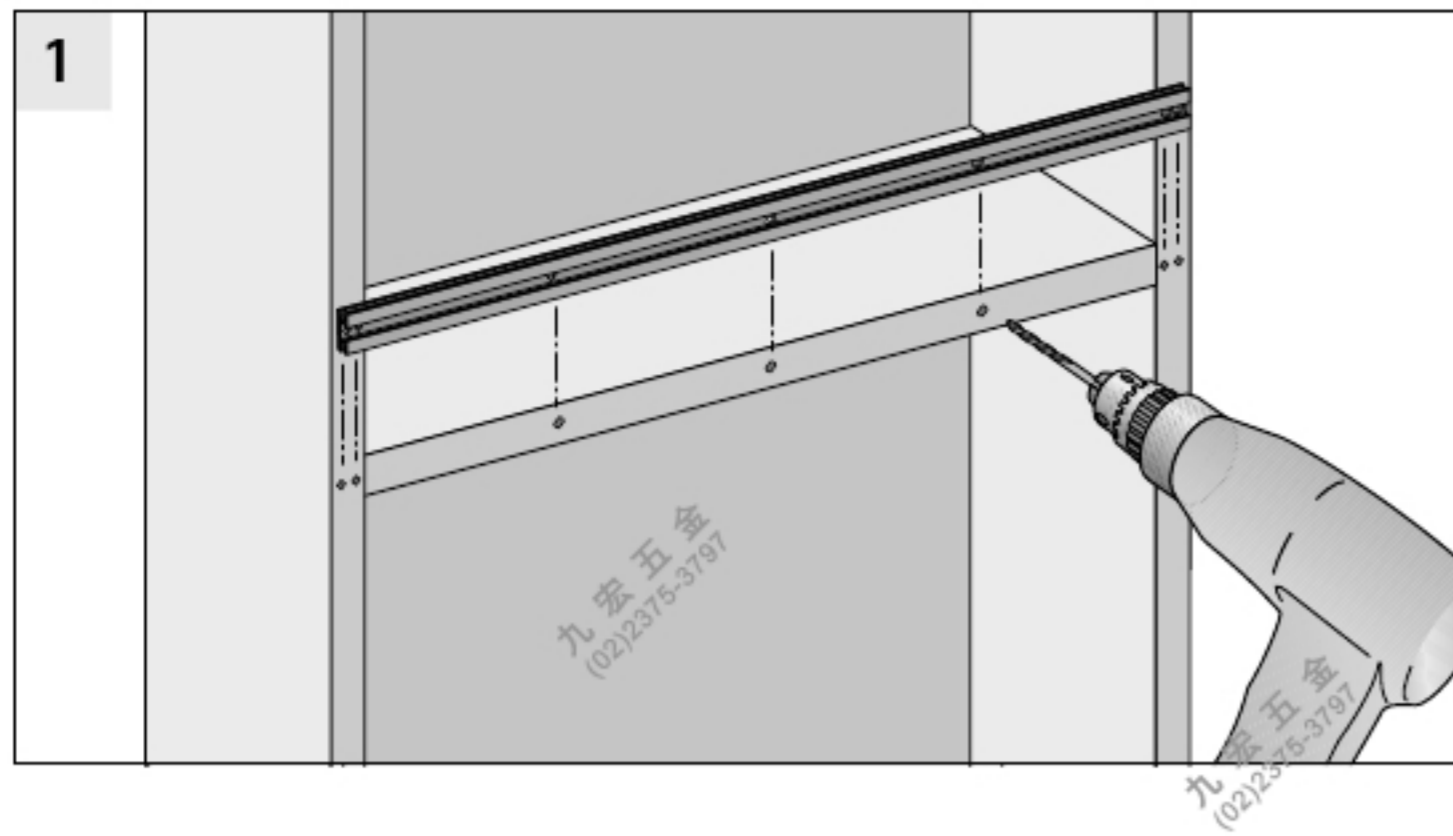


## Profile for screwing



## Non-visible attachment

