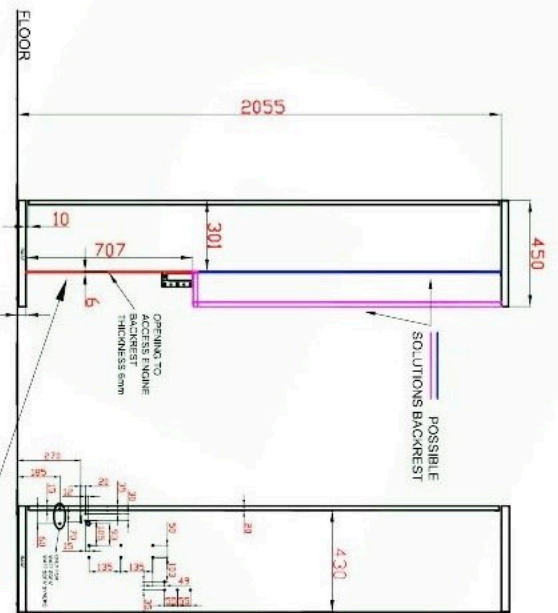


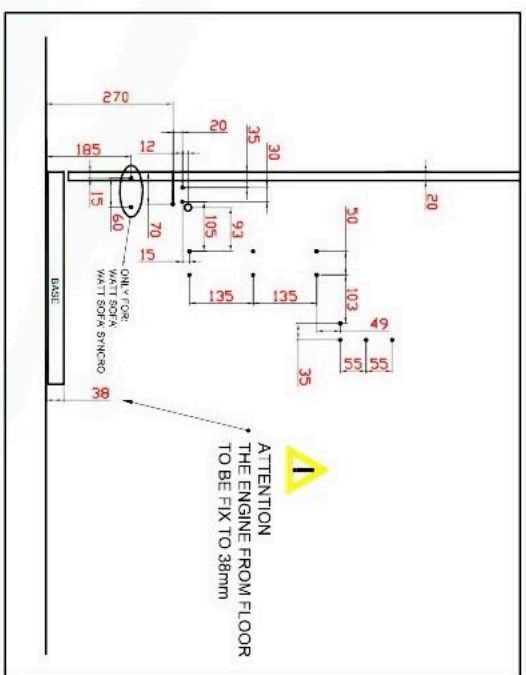
HEIGHT SIDE DX e SX



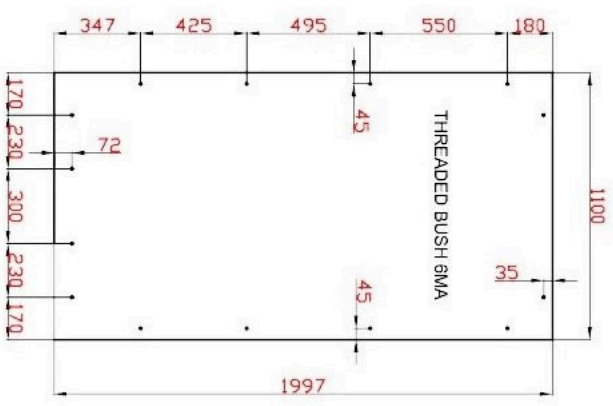
CABINET DIMENSIONS:
 INTERNAL WIDE 1126mm
 HEIGHT FROM THE FLOOR 2055mm
 BASAMENT HEIGHT MAX 38mm
 if you change basament dimension you have to change door size but remember where to fix the engine the dimension must be 38mm.

EXAMPLE:
 BASAMENT HEIGHT 30mm
 DOOR DIMENSION 1100x1997
DEPTH CABINET:
 THICKNESS DOOR + 430mm
 METAL BASE DIMENSION: 1060x1920

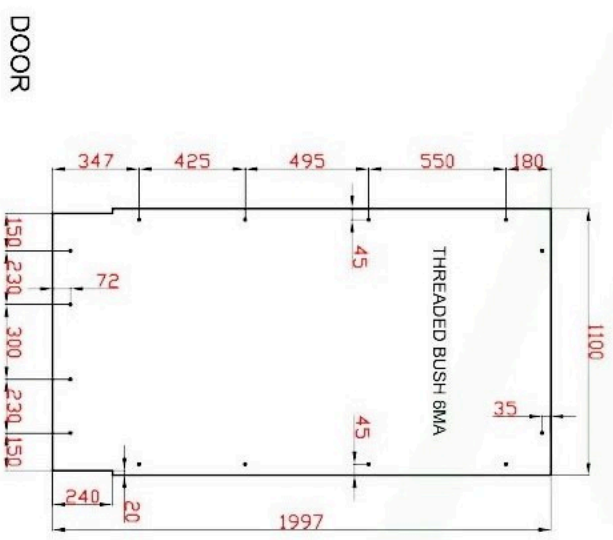
ATTENTION!
 THE ENGINE FROM FLOOR TO BE FIX TO 38mm
FRONTAL PANEL + MATTRESS WEIGHT 45KG
WEIGHT MATTRESS + WEIGHT FRONTAL PANEL HEIGHT MATTRESS 160mm



WATT / WATT SOFA'

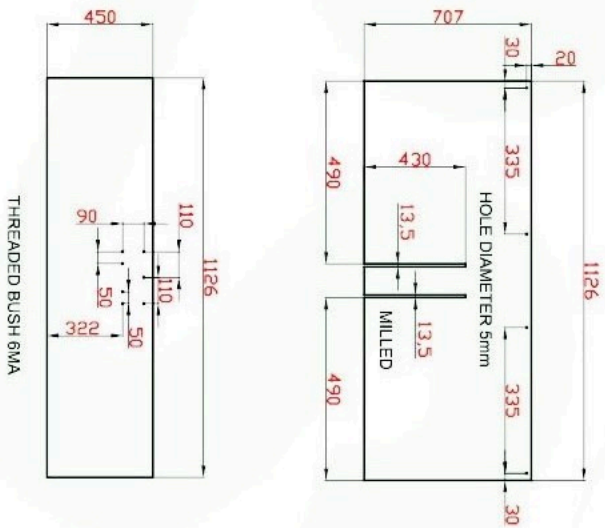


WATT SOFA'SYNCR0

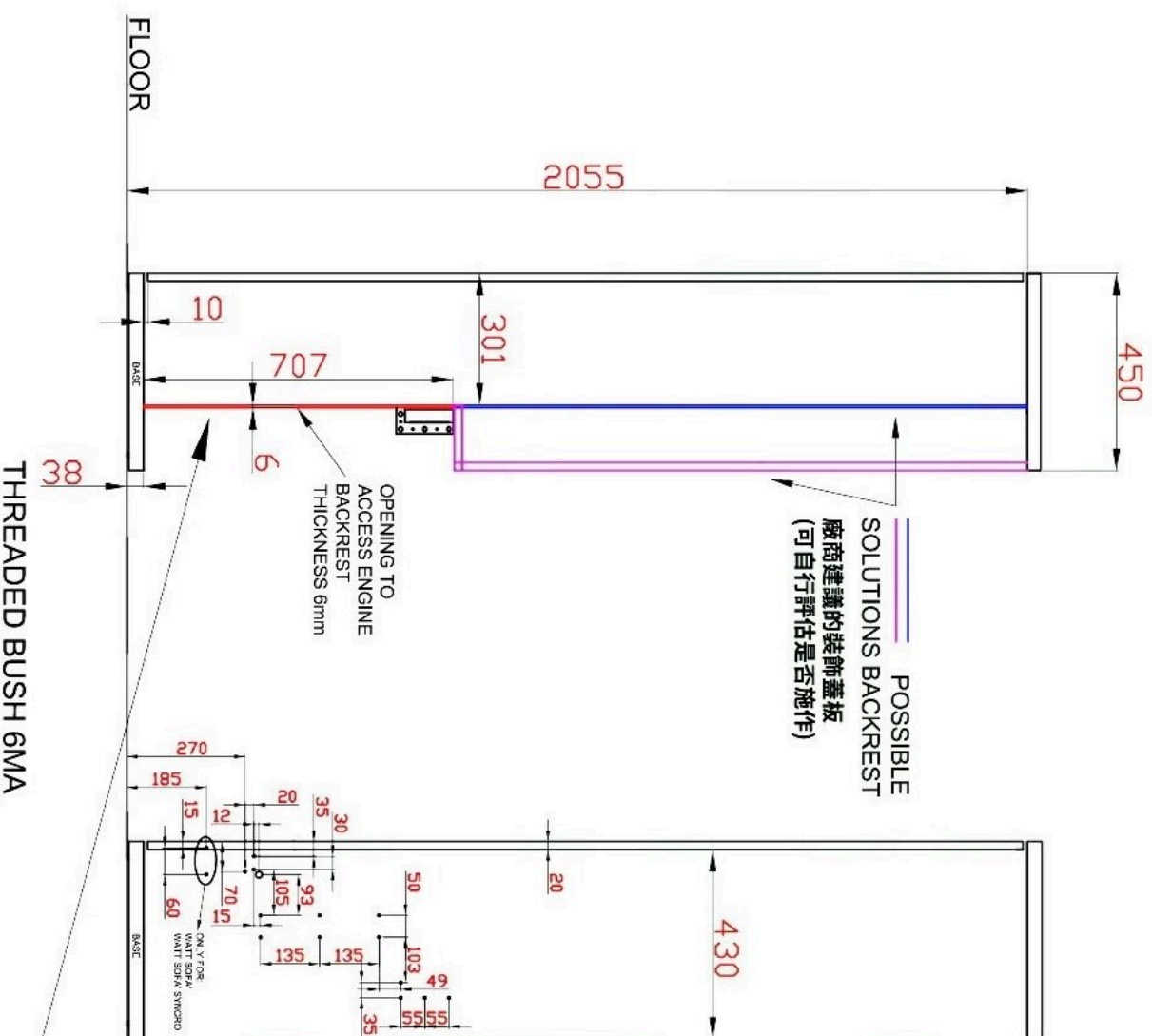


BACKREST OPENING TO ACCESS ENGINE thickness 6mm

BASE



HEIGHT SIDE DX e SX



CABINET DIMENSION:

- 櫃體內側寬度：1126mm
- 頂板內側距地面高度：2055mm
- 底板厚度：38mm
- 門板厚度：20mm
- 櫃體最小深度：
- 門板厚+背板厚+430mm
- 門板尺寸：1100x1997mm
- 排骨床架尺寸：1060x1920mm
- ※ 床墊+床板總重量(不含排骨床)：45KG
- (重量不足無法落地)
- 床墊厚度：200mm
- 靜態最大載重：150KG

※注意事項：
排骨床未放上床墊前，掀床無法
下掀(會造成回彈)，門板會呈現
向外傾斜的安全角度，以上皆為
正常現象。

⚠
ATTENTION
THE ENGINE FROM FLOOR
TO BE FIX TO 38mm
※注意!!
電動裝置必須離地為38mm

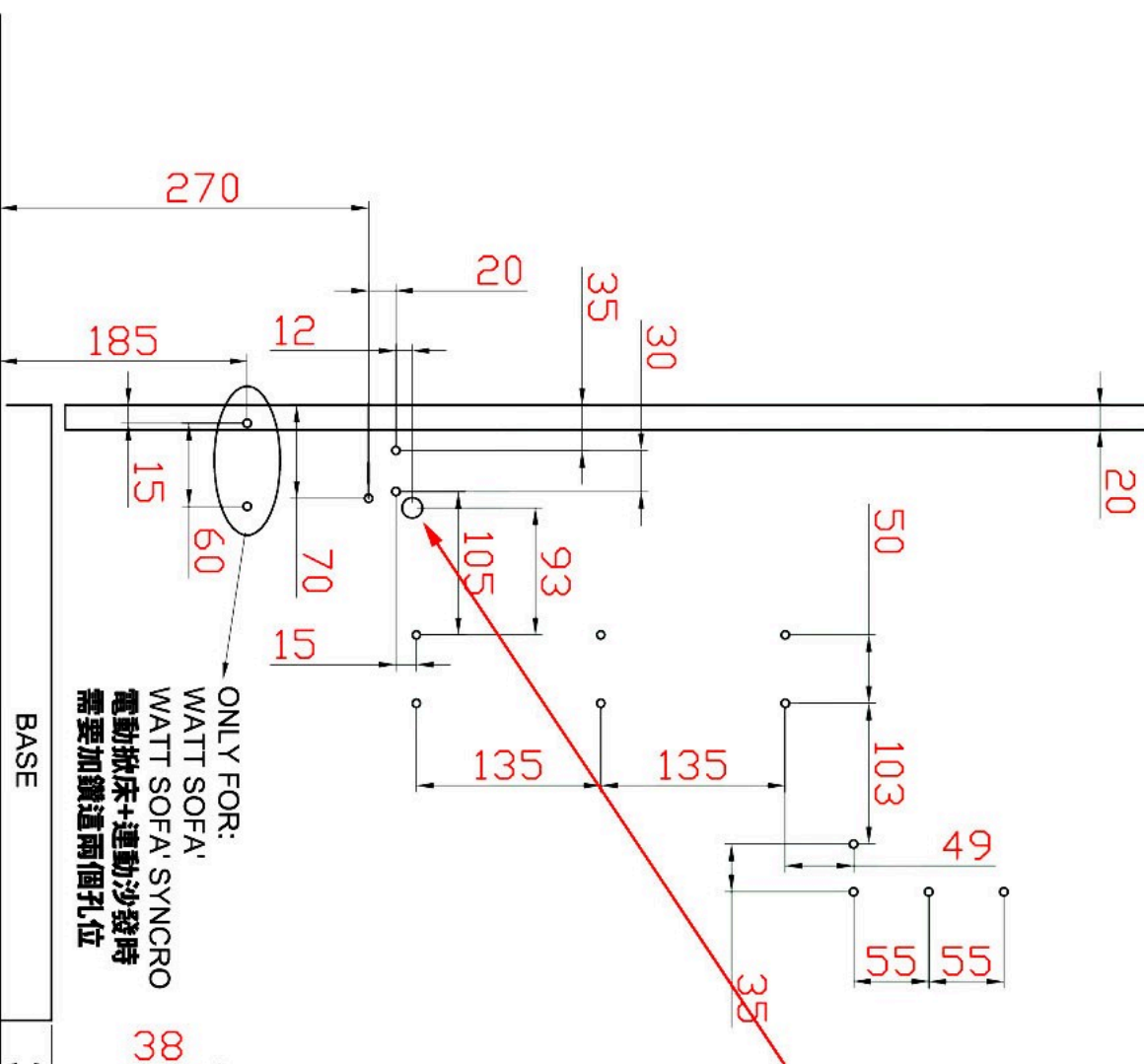
側板孔位放大圖

***請注意!!!**
 此孔是安裝自動腳使用
 挖孔尺寸：
 $\phi 15\text{mm} \times \text{深} 12\text{mm}$

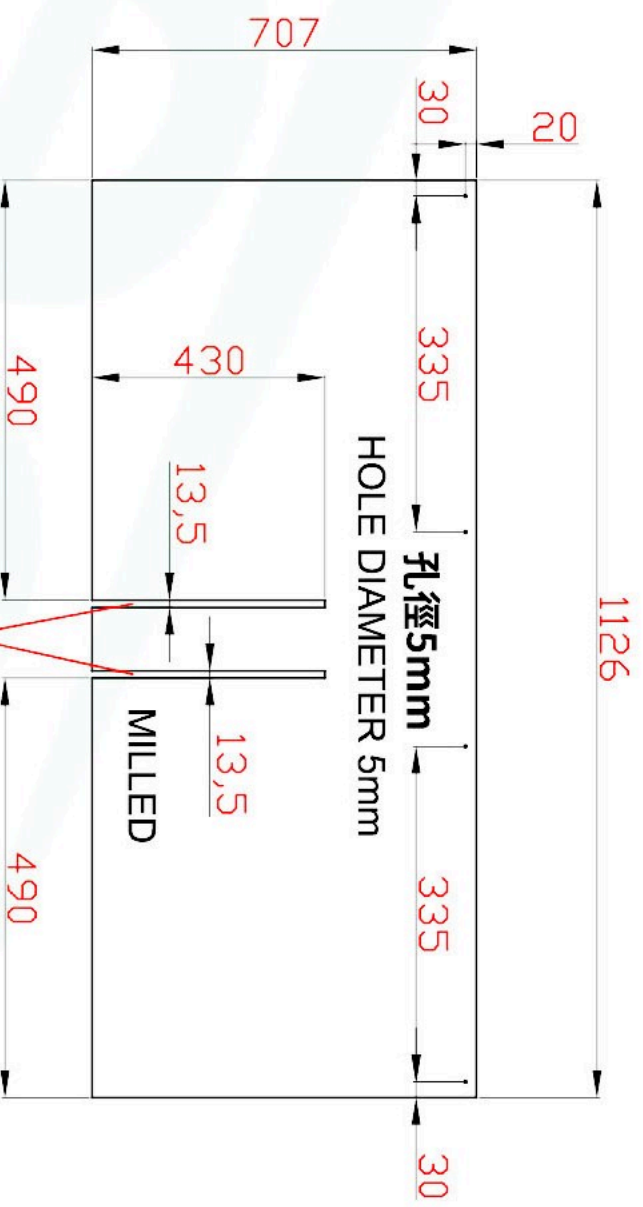


ATTENTION
 THE ENGINE FROM FLOOR
 TO BE FIX TO 38mm

※注意!
 電動裝置必須距離地面38mm，
 整組五金才能正常使用

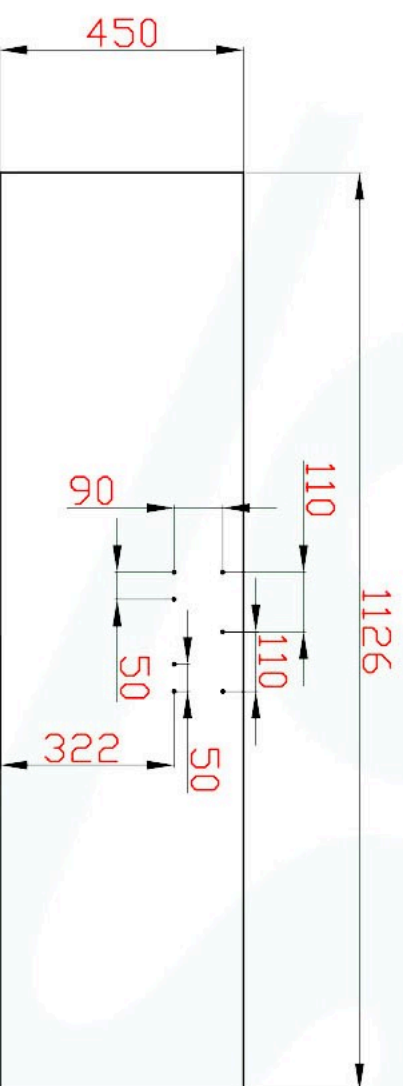


BACKREST OPENING
TO ACCESS ENGINE
thickness 6mm
電動裝置飾蓋板
板厚6mm



BASE

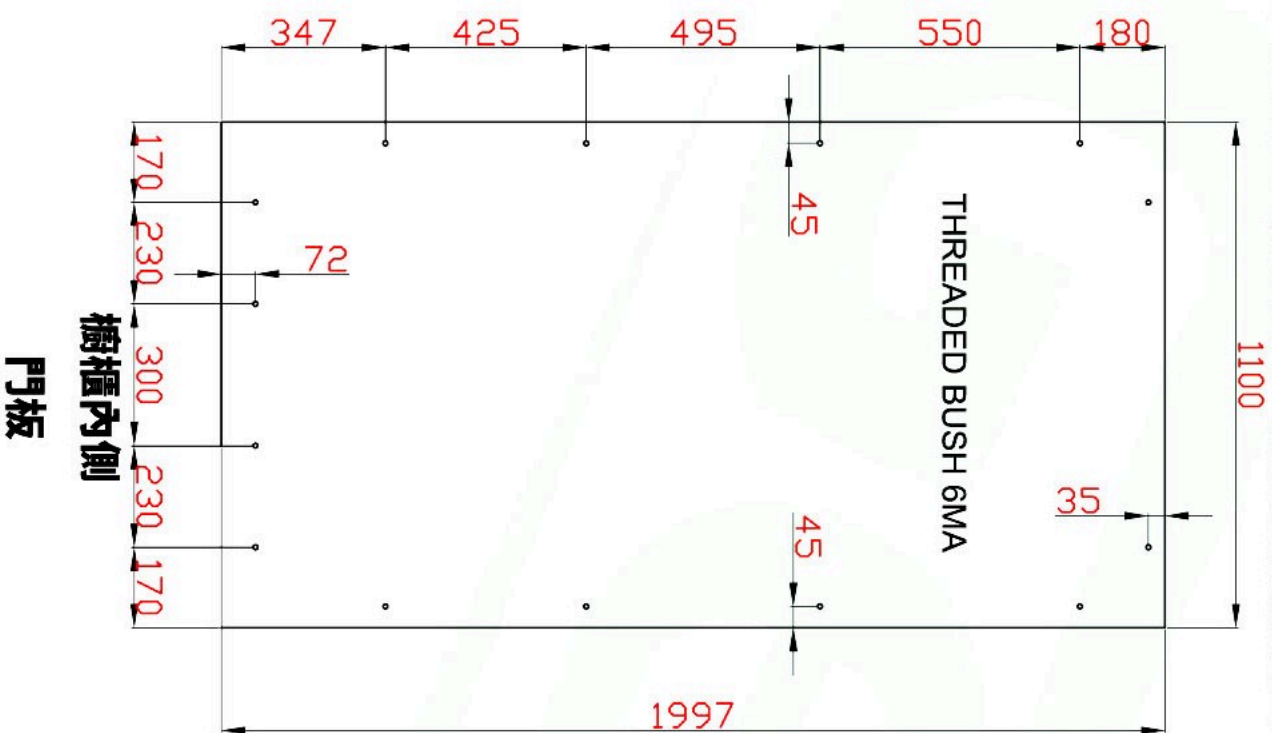
底板孔位俯視圖



THREADED BUSH 6MA

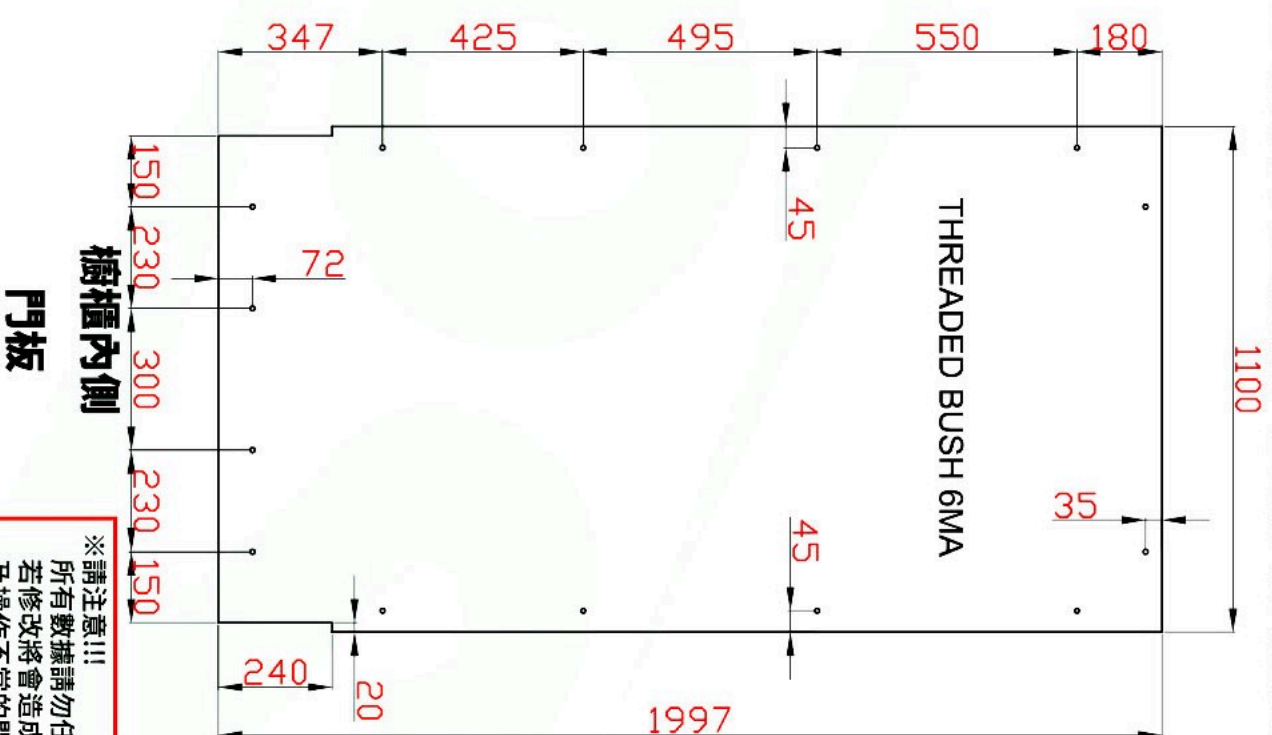
WATT 1060X1920

POZZOLI 電動單人正掀掀床門板孔位圖



WATT SOFA'S SYNCRO 1060X1920


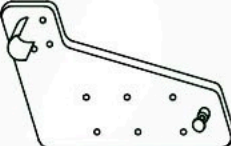

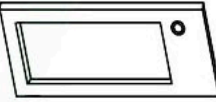
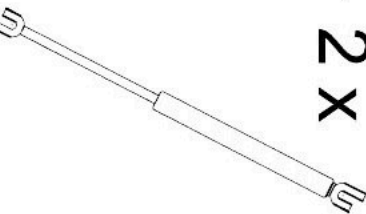
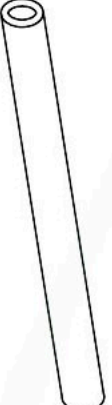



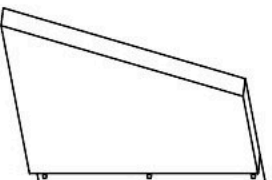
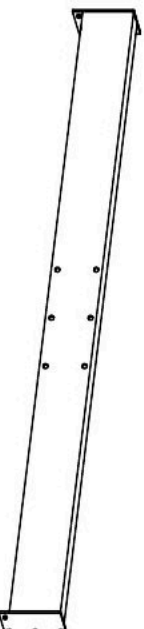
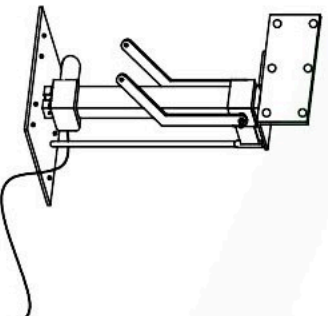
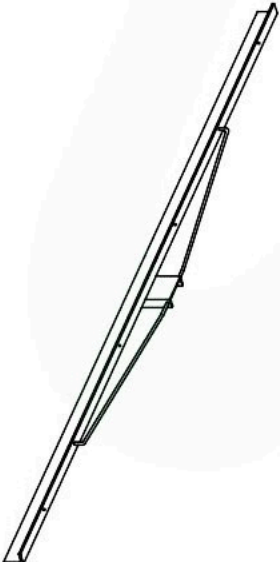
POZZOLI 電動單人正掀掀床+連動沙發門板孔位圖



※請注意!!!
所有數據請勿任意修改，
若修改將會造成後續安裝
及操作不當的問題。

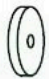
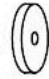
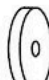






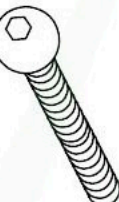


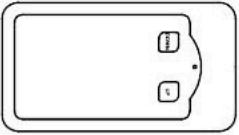



ART. WATT SINGOLO / SINGLE

MATERIALE FORNITO - MATERIALS PROVIDED

A · 1 X 	B 2 X 	C · 2 X 	D · 2 X 	E · 2 X 
F · 1 X  Ø10x146	G · 1 X  Ø14x107	H · 2 X  Ø16x25	I · 6 X 	
J · 2 X 	L · 1 X 	M · 1 X 	N · 1 X 	

ART. WATT SINGOLO / SINGLE

MATERIALE FORNITO - MATERIALS PROVIDED

O	P	Q	R
· 2 X	· 6 X	· 2 X	· 10 X
 6x16 plastica / plastic	 6x18 metallo / metal	 Ø24x4	 TP 6x50
S	T	U	V
· 4 X	· 17 X	· 20 X	· 6 X
 TB 5x10	 TB 6x15	 TPS 6x15	 TPS 8x25
Z	X	W	K
· 6 X	· 4 X	· 10 X	· 12 X
 TB 6x12	 TB 6x60	 TB 8x25	 4x20
Y	AA	BB	CC
· 1 X	· 2 X	· 2 X	· 2 X
	 TB 6x16		

ART. WATT

MONTAGGIO - MOUNTING

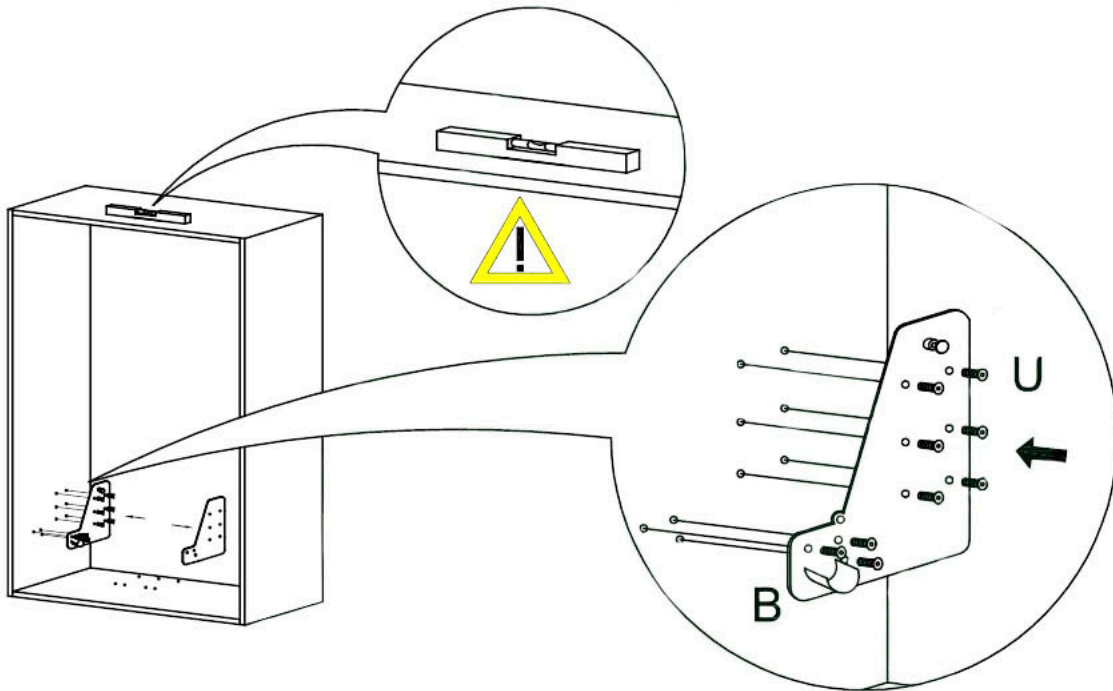


Assicuratevi di aver fissato il vostro mobile alla parete contro il ribaltamento, poichè le pareti sono di materiali diversi il fissaggio alla parete non è incluso

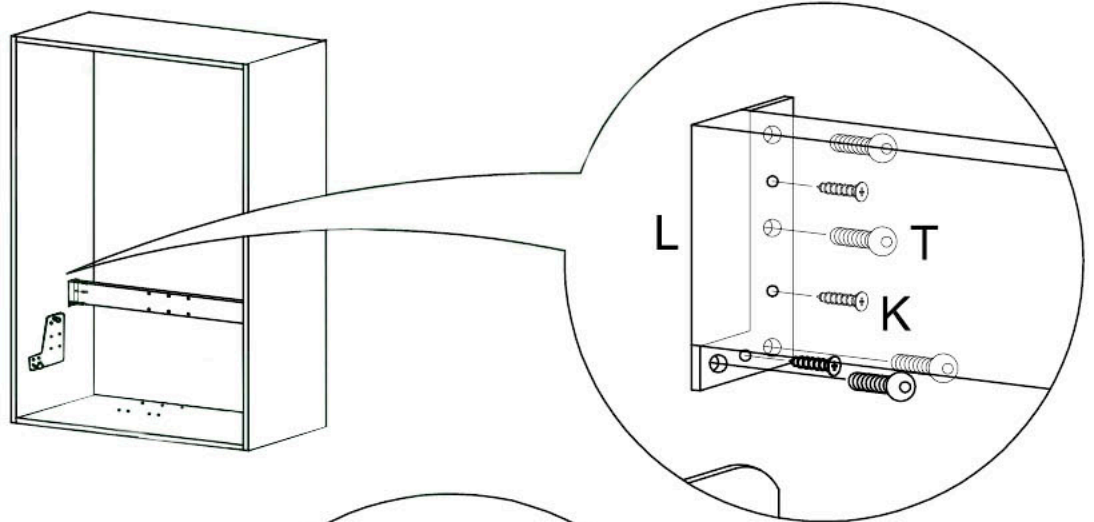
Make sure to fix your cabinet to the wall.

As wall materials vary, plates and screws for fixing to wall are not included.

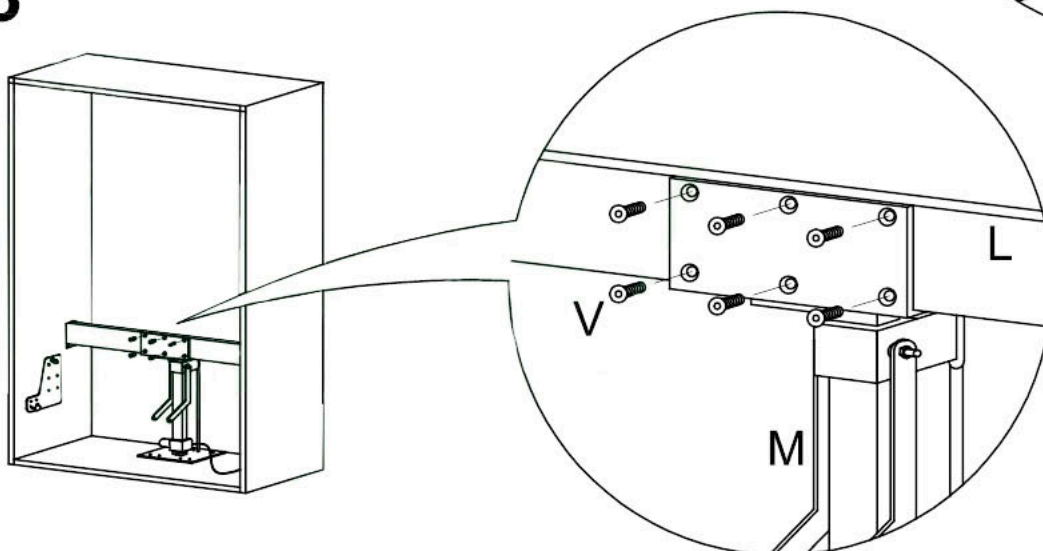
1



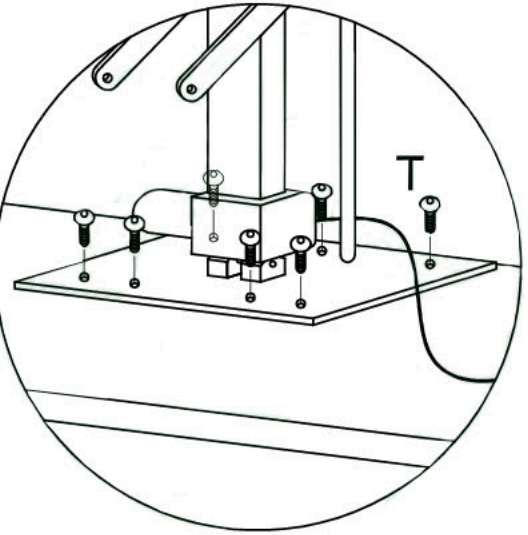
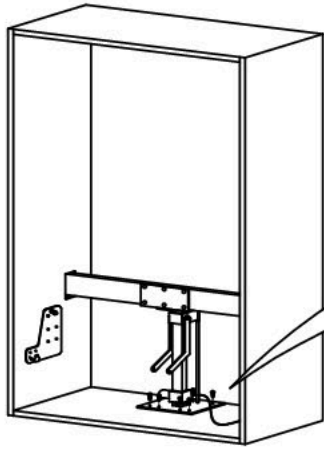
2



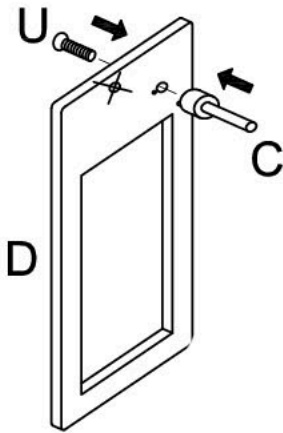
3



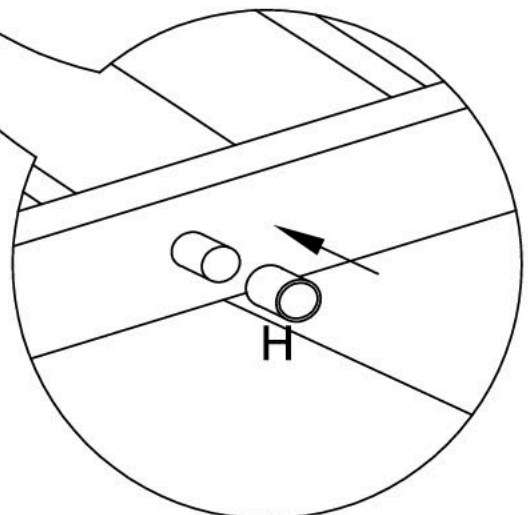
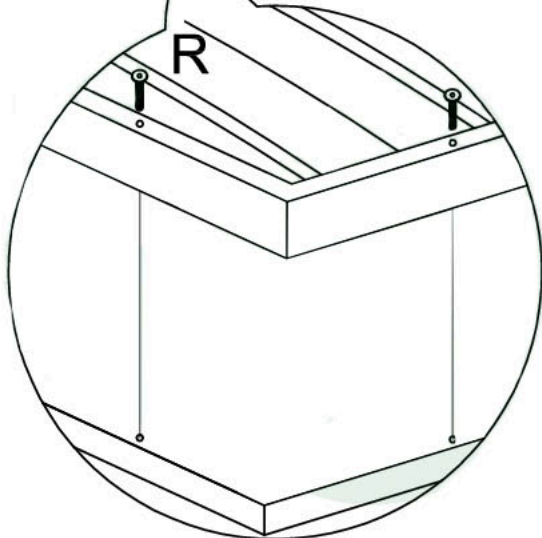
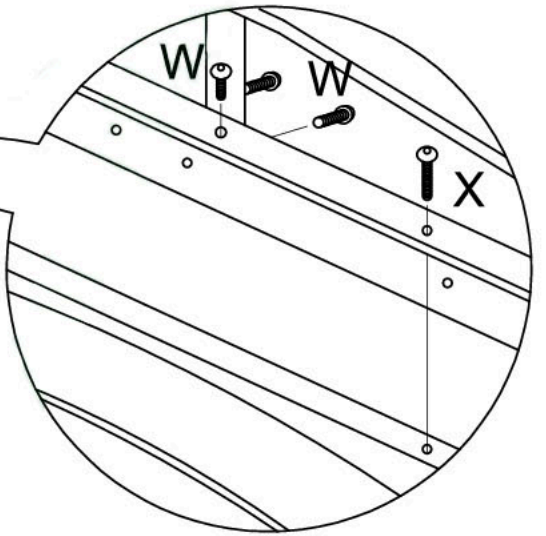
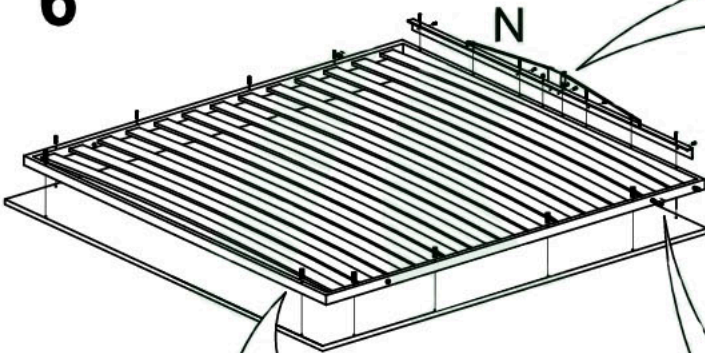
4



5

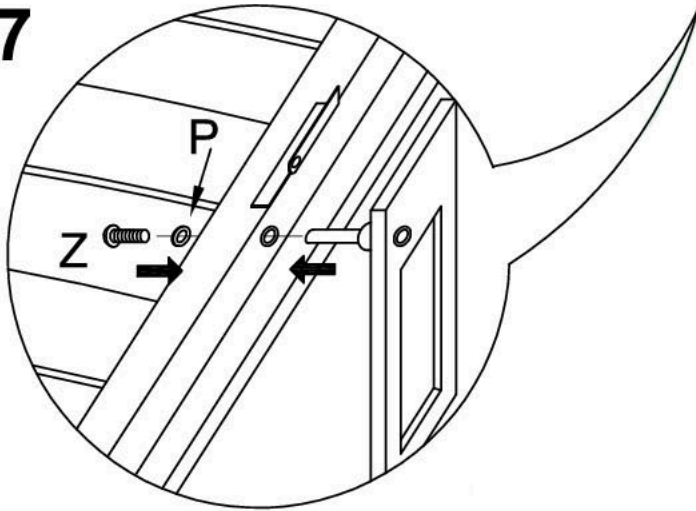


6

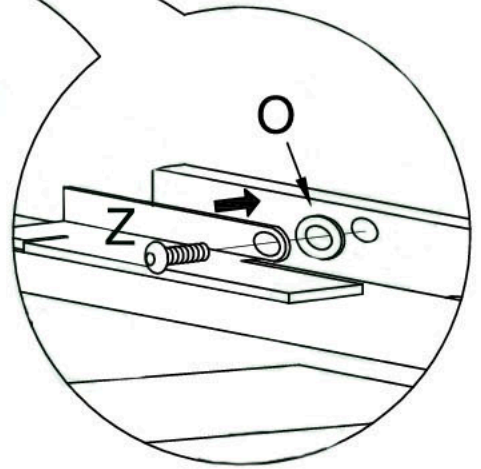




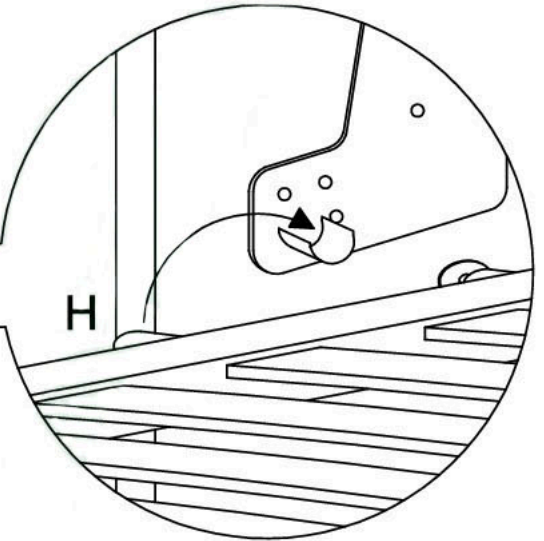
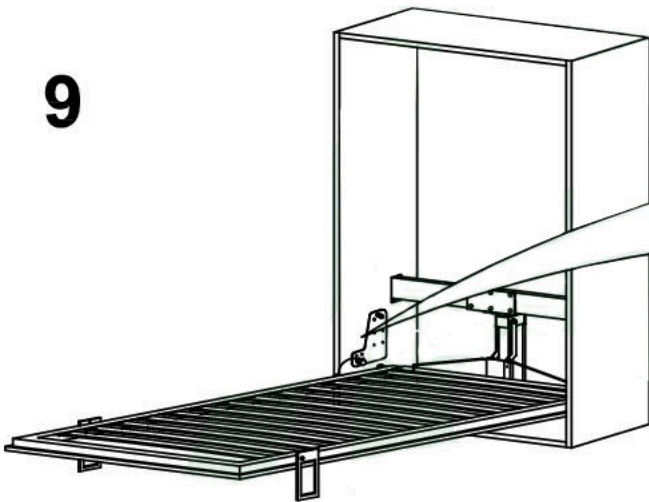
7



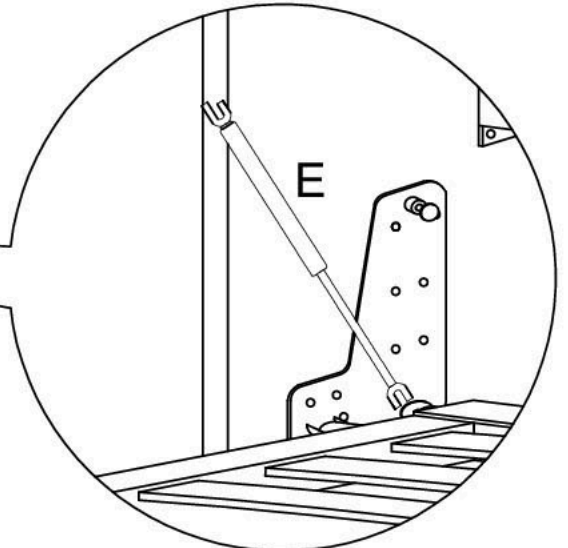
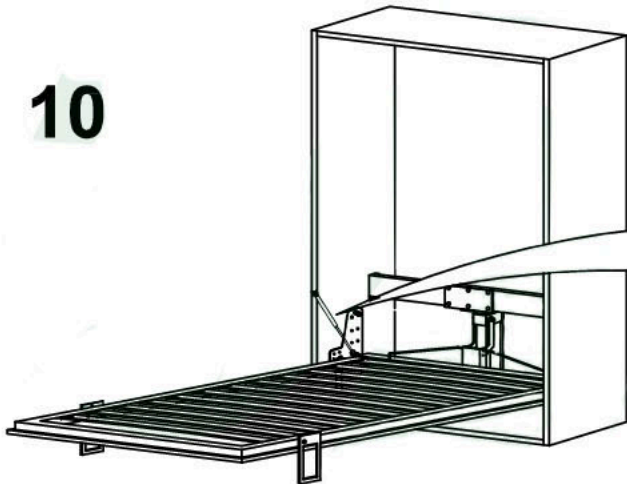
8



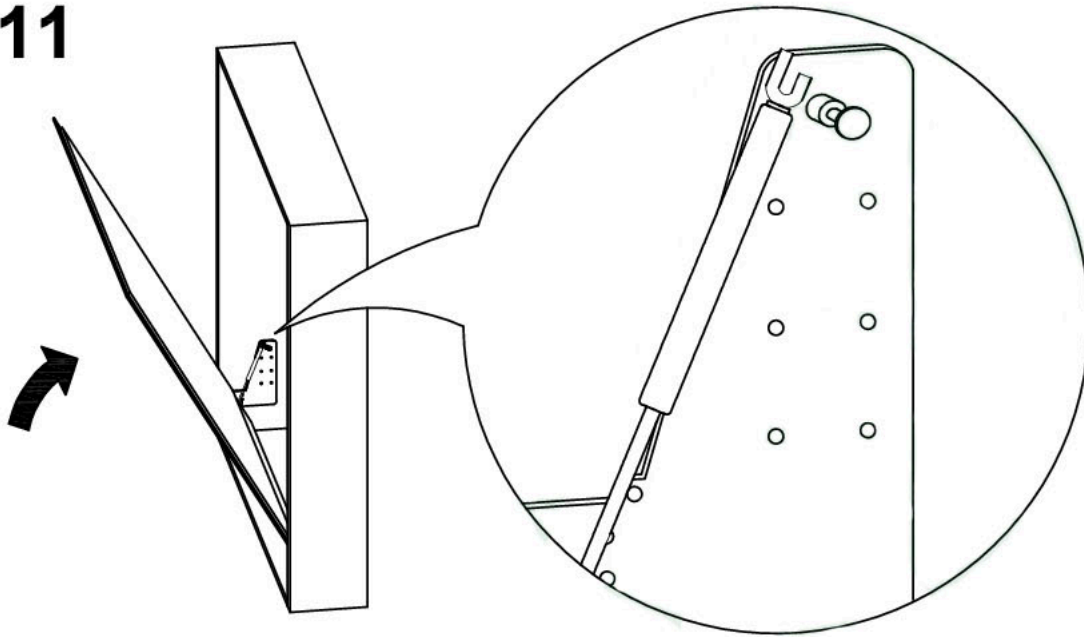
9



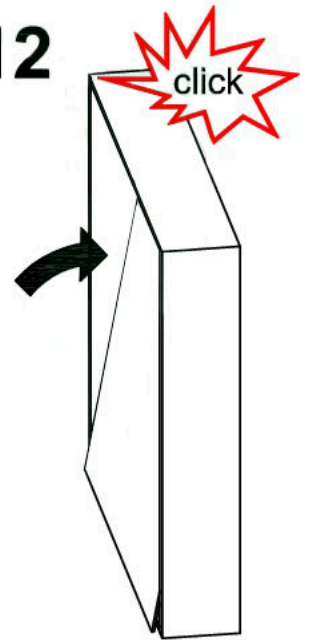
10



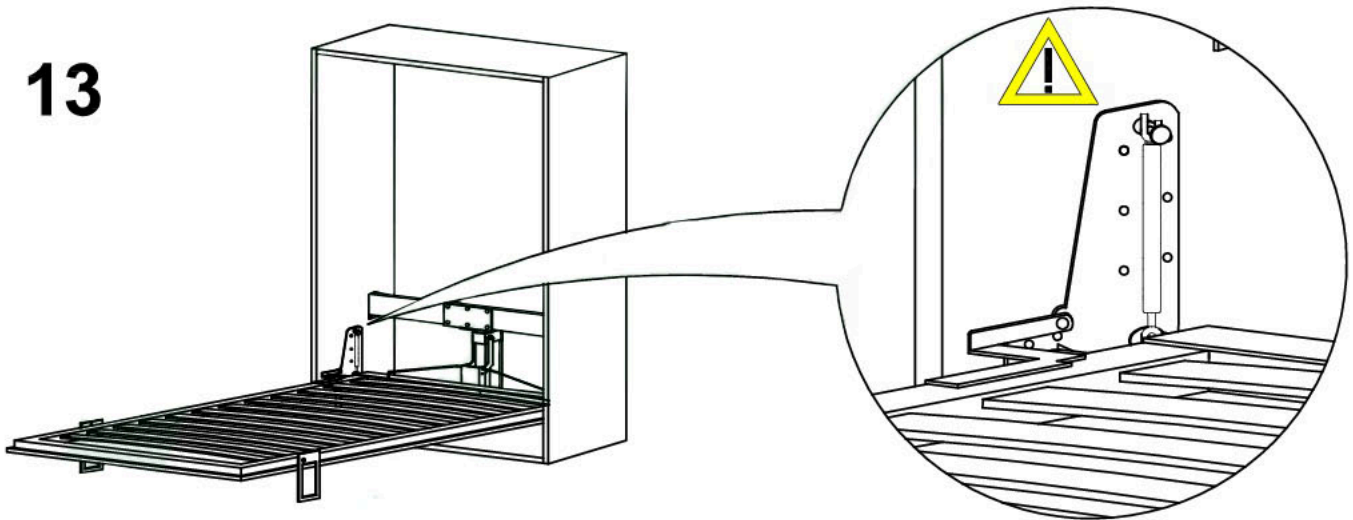
11



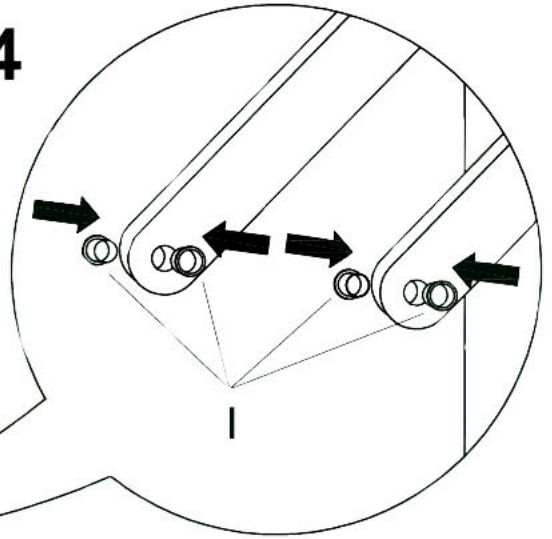
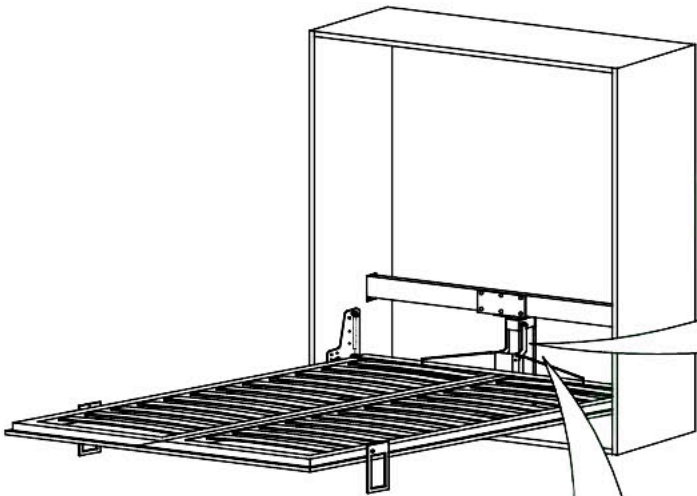
12



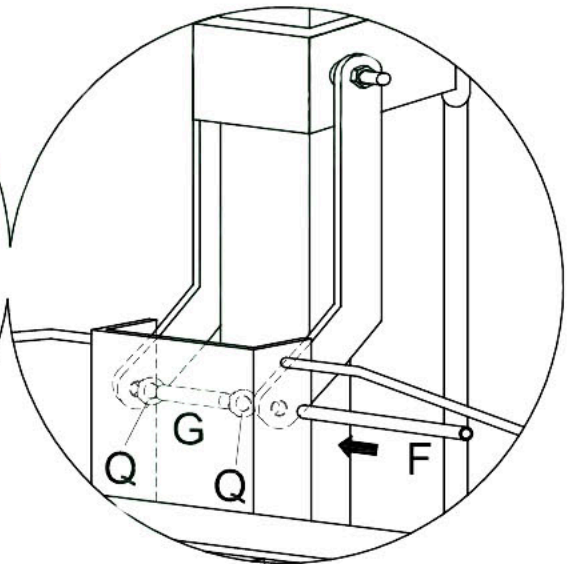
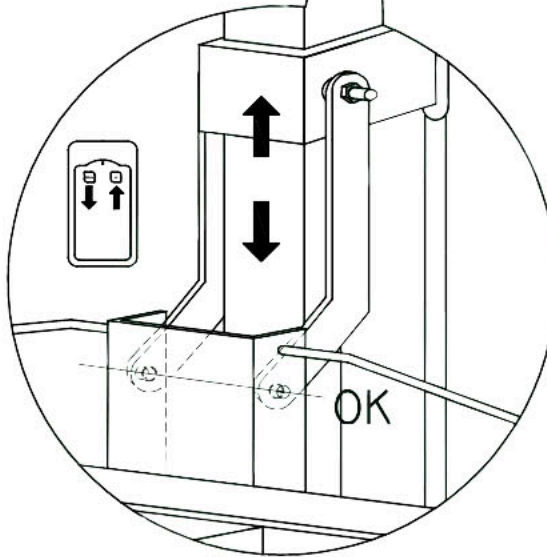
13



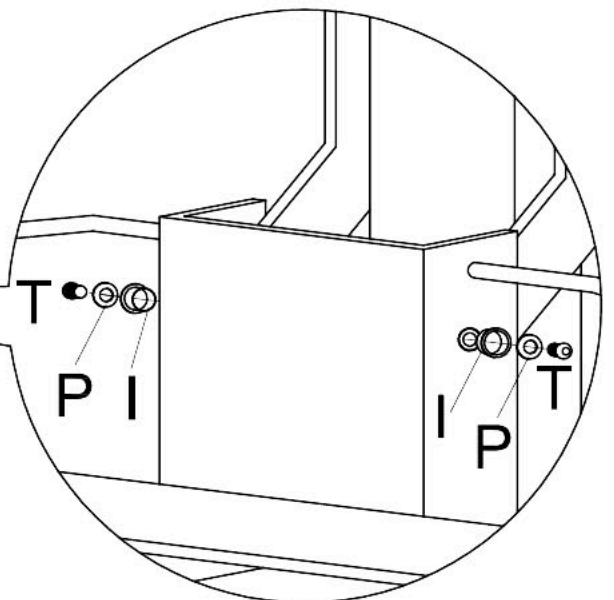
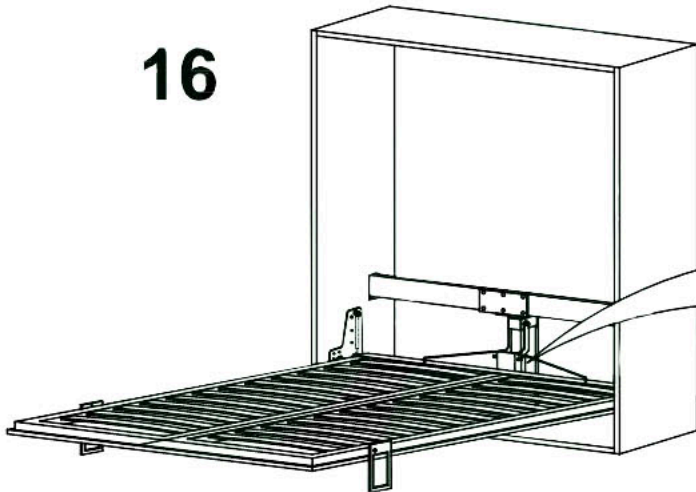
14



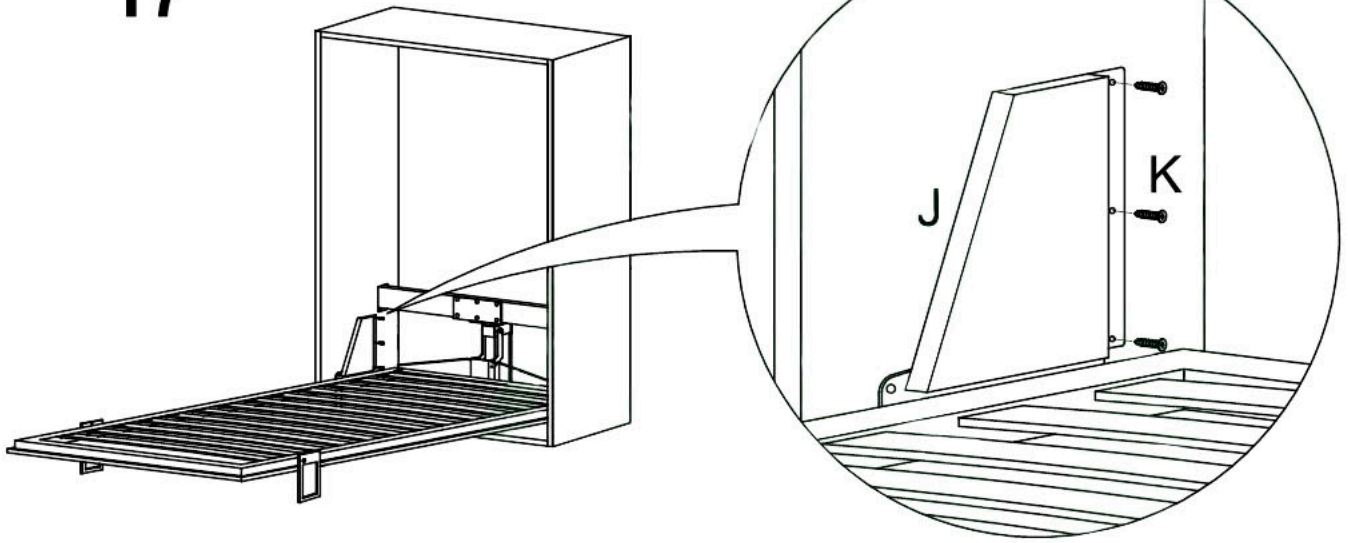
15



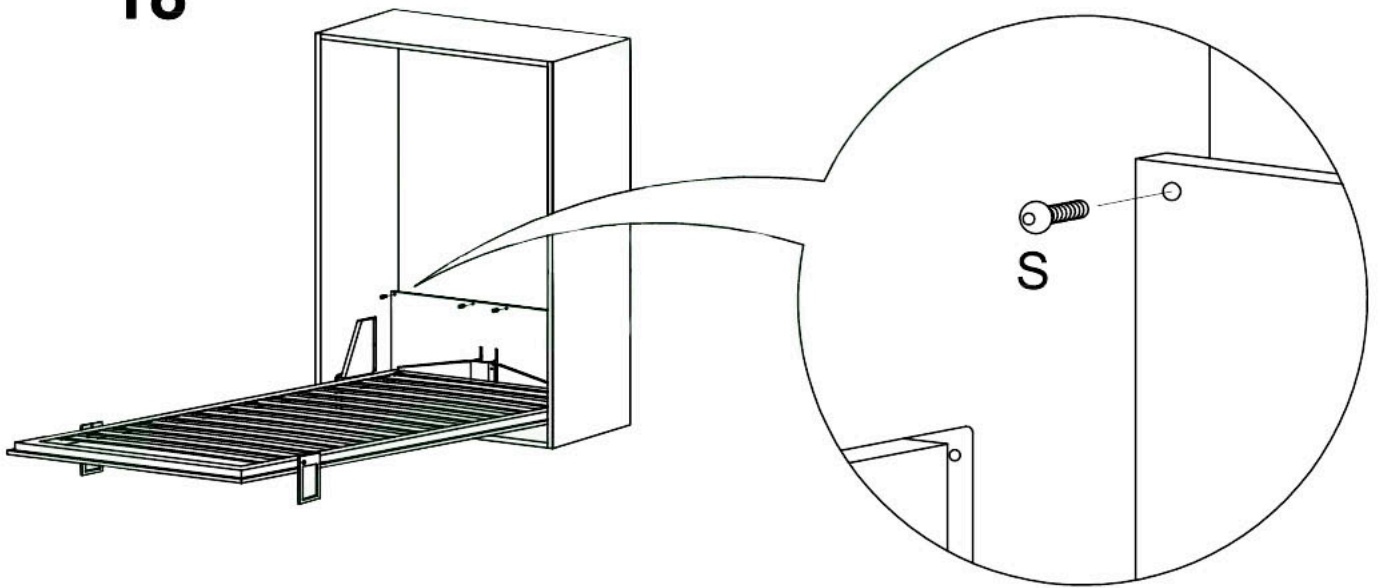
16



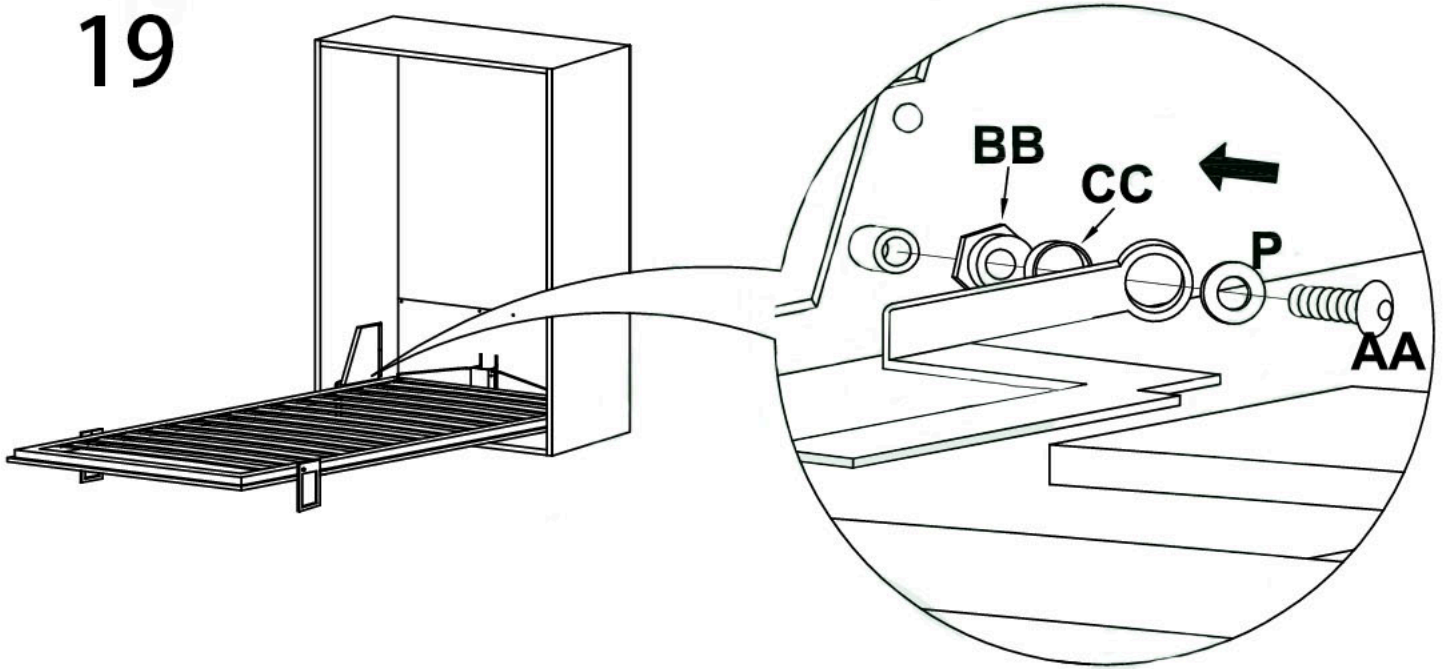
17



18



19



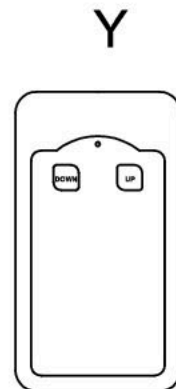
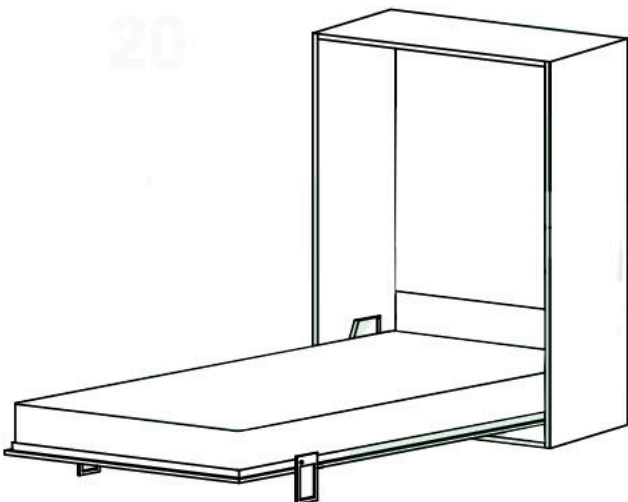
正確調整方式

1. 打開掀床
2. 把床腳平放在地上
3. 安裝螺絲(AA)

注意事項

1. 若希望掀床與櫃體呈現平行，需要在櫃體上方加裝一塊擋板。
2. 再安裝完成後、放上床墊前，門板會以安全開起角度向外傾斜，為正常現象，放上床墊後會恢復正常。

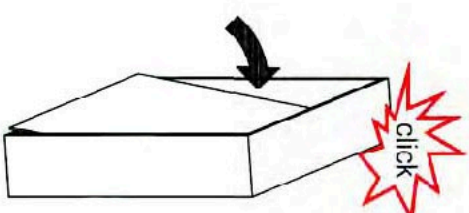
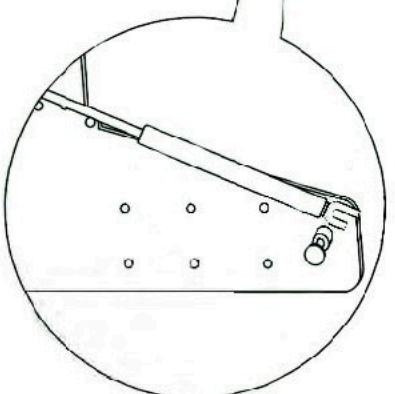
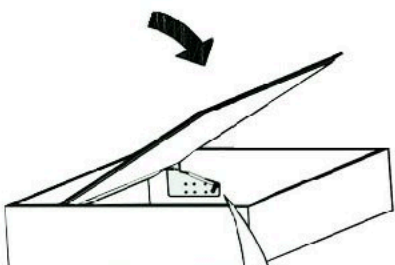
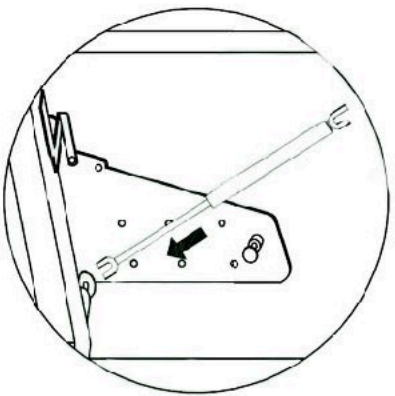
20



ISTRUZIONI / INSTRUCTIONS

DA CONSEGNARE ALL'UTILIZZATORE FINALE
TO BE GIVEN TO END USER
EN RAISON DE L'UTILISATEUR FINAL POUR

MONTAGGIO PISTONI MOUNTING OF THE PISTON ENSEMBLE DE PISTON



SMONTAGGIO PISTONI DISASSEMBLING OF THE PISTON RETRAIT PISTONS

