



NJ-38D58

Touch to Open
100 pound class (45 kgs)

Product Photo

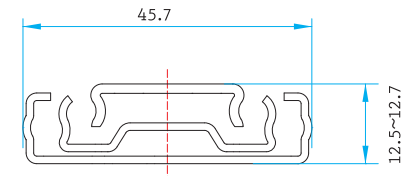


Features



Mounting | Side mount.
Slide Clearance | 12.7 mm plus 0.76 mm, minus 0 each side.
Height | 45.7 mm
Loading | 100 pound (45 kgs) class.
Size | 250 mm to 700 mm at 50 mm increment.
Feature | New touch to open mechanism, 4 mm activating stroke, almost 2/3 of drawer opening depending on installation and drawer loading.
Option | None.

Profile



Surface Treatment

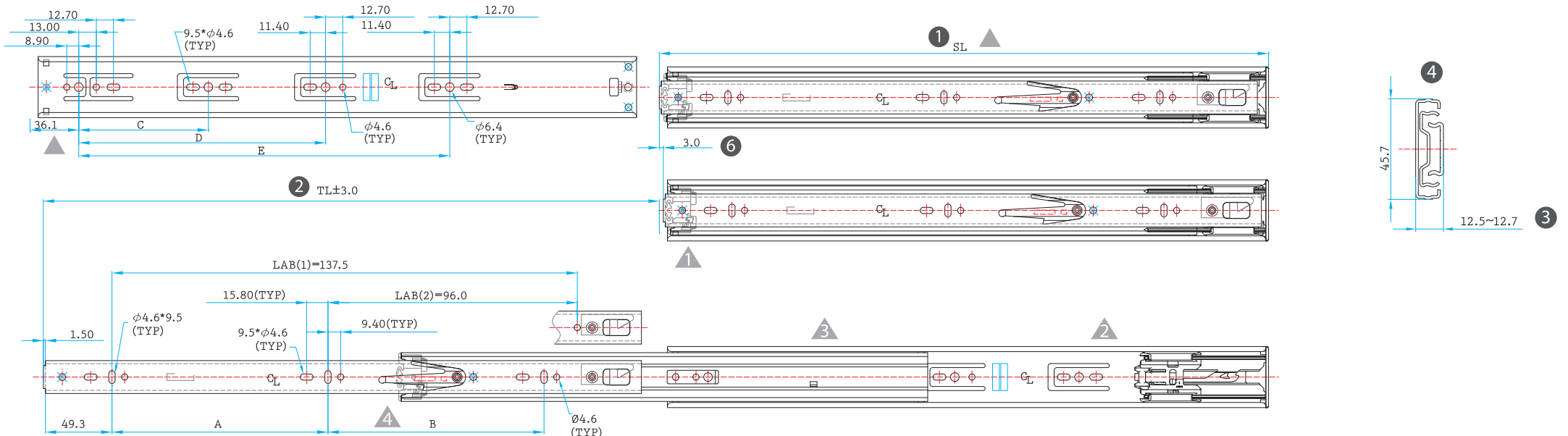
- Clear Zinc
- Black Zinc
- Black E. Coating
- White E Coating
- Stainless Steel
- Galvanized Steel

Packaging

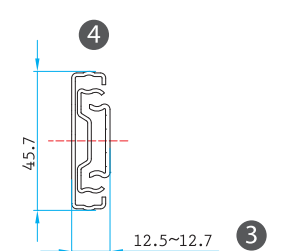
■ Distribution / 15 pairs per box

*Box QTY might vary with different length, the info provided here is based on 18" (450 mm)

Drawing



Profile



Specification Table

SIZE	SL	TL	A	B	C	D	E
10" (250mm)	251.0	230.0	LAB(1)		80.0		
12" (300mm)	301.0	304.8	96.0	LAB(2)		136.0	
14" (350mm)	351.0	355.6	96.0	128.0		192.0	
16" (400mm)	401.0	406.4	128.0	144.0		128.0	240.0
18" (450mm)	451.0	457.2	160.0	160.0		128.0	288.0
20" (500mm)	501.0	508.0	192.0	160.0		192.0	336.0
22" (550mm)	551.0	558.8	224.0	192.0	224.0		384.0
24" (600mm)	601.0	609.6	224.0	224.0	256.0		432.0
26" (650mm)	651.0	660.4	256.0	256.0	288.0		486.0
28" (700mm)	701.0	711.2	256.0	320.0	320.0		544.0

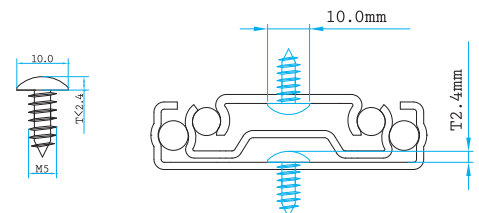
Installation Instructions

QUICK INSTALLATION GUIDE OF NJ-38D58

Touch to Open, 100 pound (45 kgs) loading

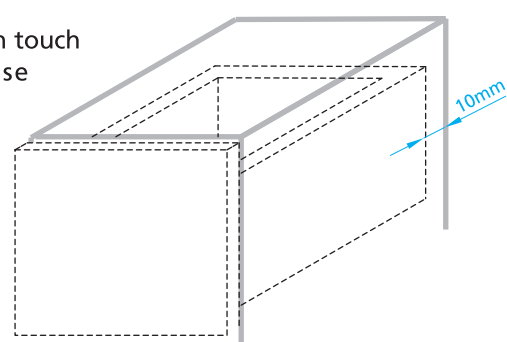
READ THROUGH QIG BEFORE INSTALLATION

A. Recommend pan head #8 pan head or count sunk screws for mounting. Each side shall use at least 3 screws.

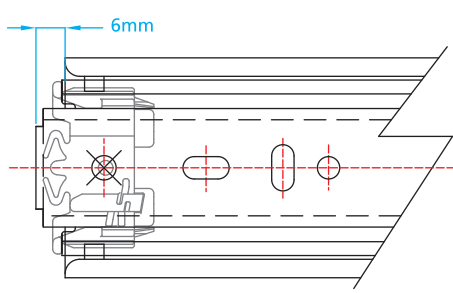


Step 1 > Overlay Drawer Front

The actuating stroke of Repon touch to open is 4 mm, so please reserve at least 10 mm gap between the drawer back and cabinet back.

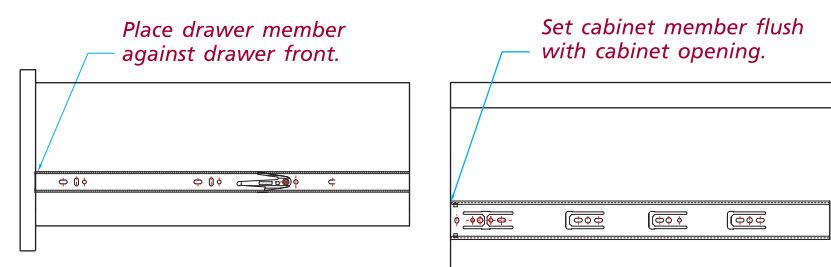


The new Repon touch to open deliberately set the drawer member above the cabinet member by 6 mm in fully closed position to absorb installation tolerance.



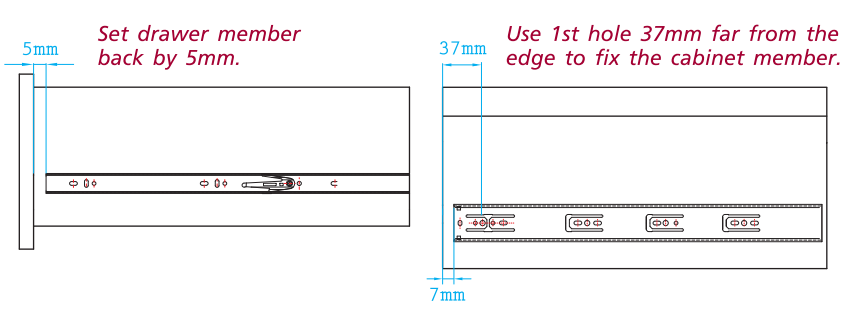
Please refer to the following drawings for the drawer member and cabinet member mounting position.

Not use computer boring (use jig to position)



*Set drawer member back by 3 mm when use chusion.

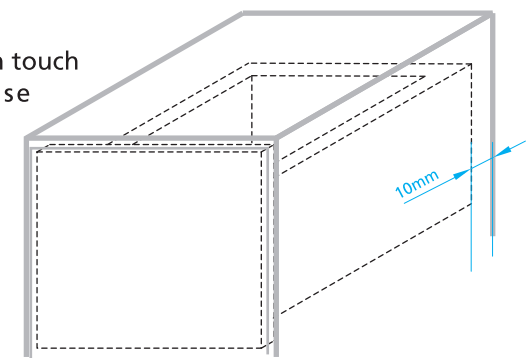
Using computer boring (32 mm system)



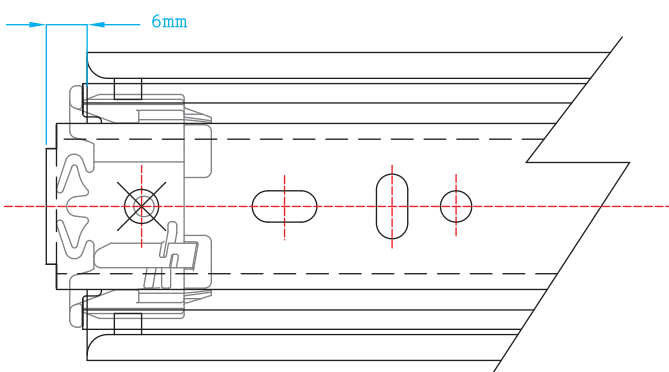
*Set drawer member back by 8 mm when use chusion.

Step 2 > Inset drawer front

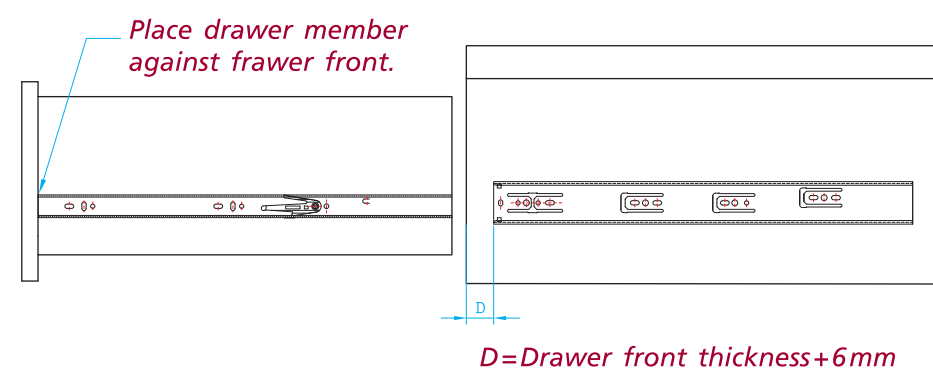
The actuating stroke of Repon touch to open is 4 mm, so please reserve at least 10 mm gap between the drawer back and cabinet back.



The new Repon touch to open deliberately set the drawer member above the cabinet member by 6mm in fully closed position to absorb installation tolerance.



Please refer to the following drawings for the drawer member and cabinet member mounting position.



D=Drawer front thickness+6mm

Step 3 > Insert drawer into cabinet

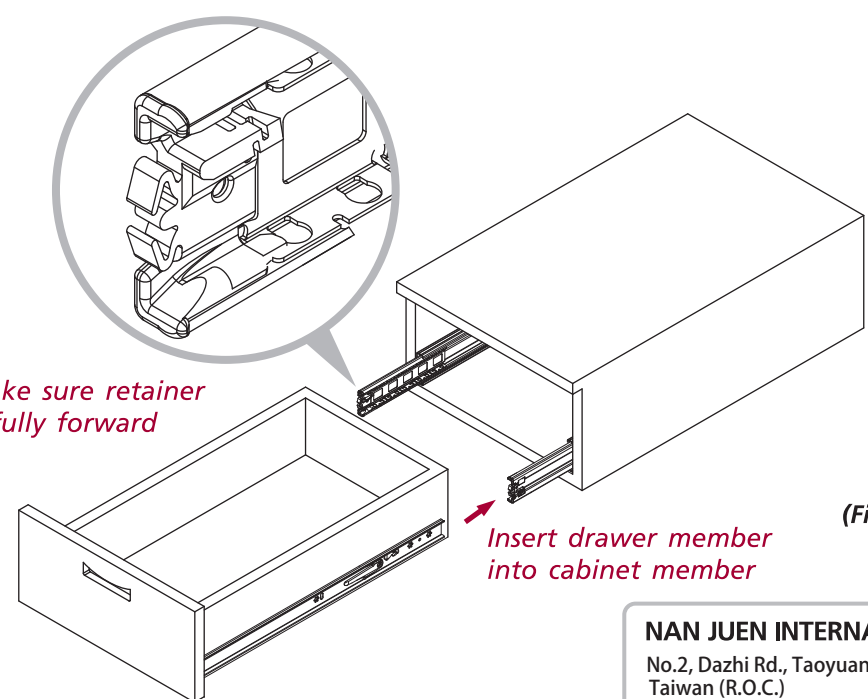
Make sure the bearing retainers are set to the front of the slides. Insert drawer member into the cabinet member and then push the drawer all the way in. Never use force when inserting the drawer. (Figure3-1)

*Note - If the drawer could not be closed, remove the drawer and reinsert the drawer into the cabinet.

Final Adjustment / installation

- Try to open and close the drawer to see if the slides function correctly and make sure no screws are interfering during opening and closing of the drawer. Drawers should move smoothly without any binding. There may be some resistance during the first time when balls in the retainer are being synchronized.
- If the drawer functions correctly, secure the screws and install additional screws if necessary. If not, make necessary adjustments until the slides function correctly.

Make sure retainer is fully forward



Insert drawer member into cabinet member

(Figure3-1)