

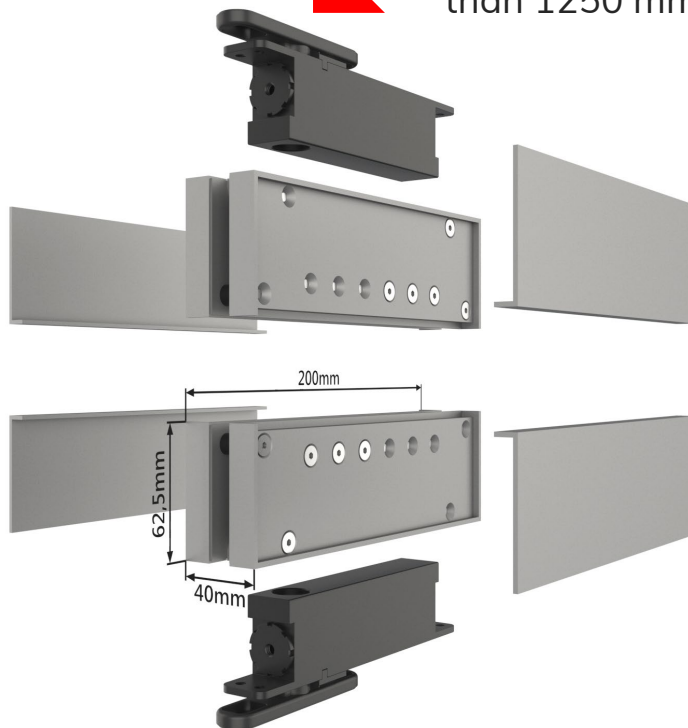
# ASSEMBLY MANUAL

## PortaPivot GLASS

Depending on the selected door size, a **normal (NL)** or **extra large (XL)** pivot hinge is included. All installation steps are identical, unless stated otherwise.

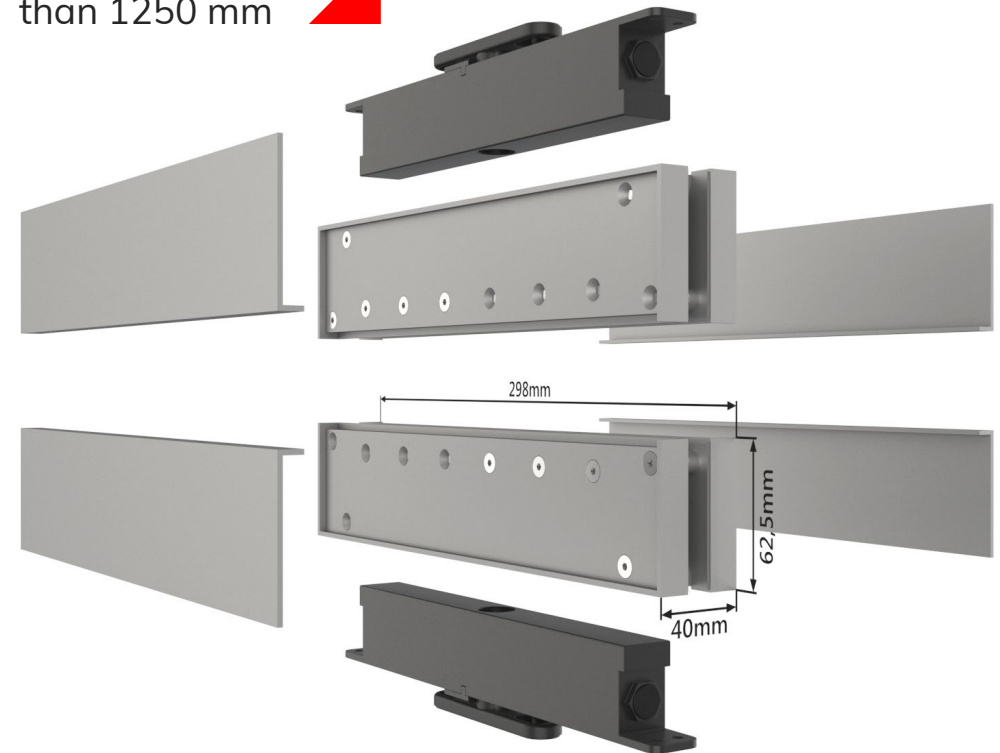
### NL pivot hinge

Door width smaller than 1250 mm

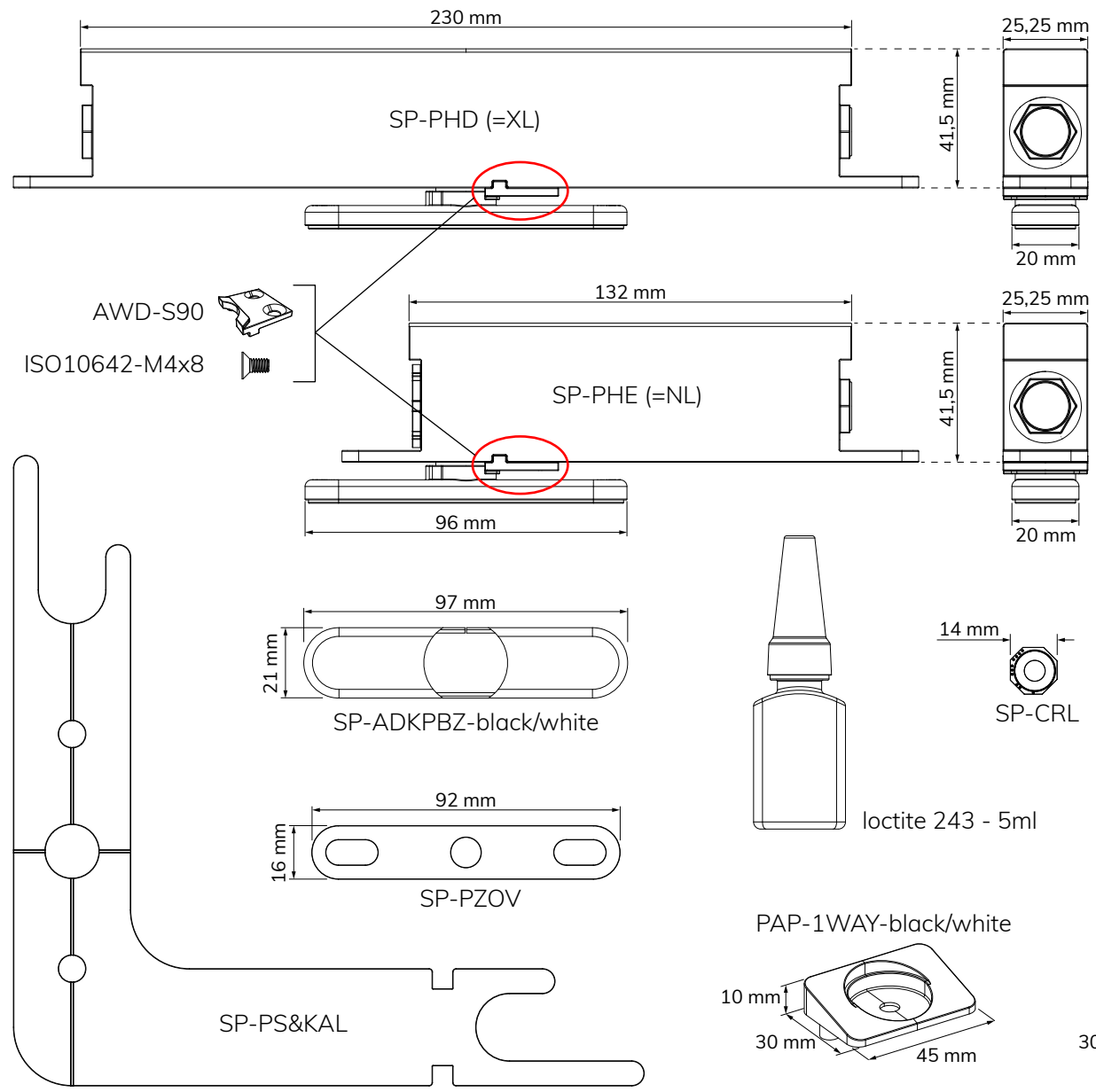








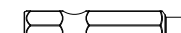
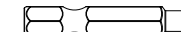
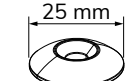
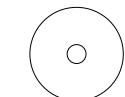
### XL pivot hinge

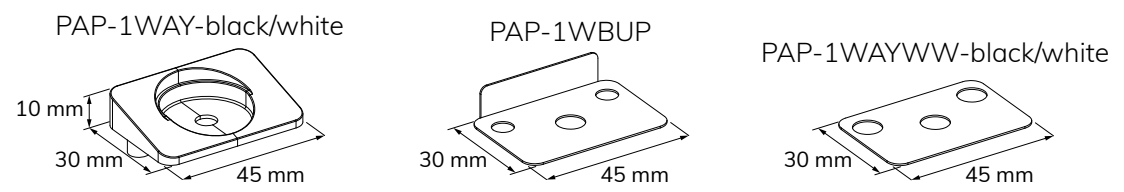
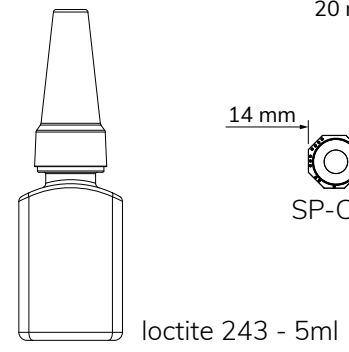
Door width larger than 1250 mm



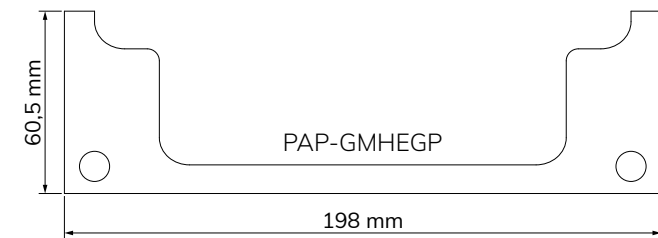
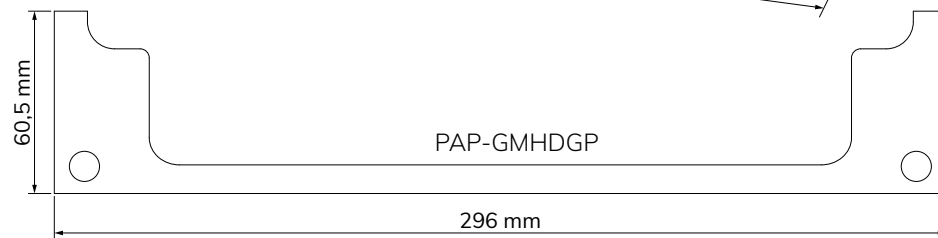
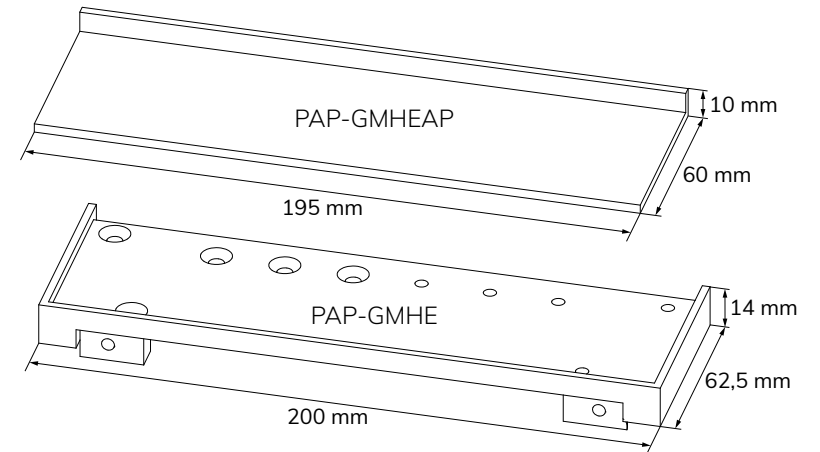
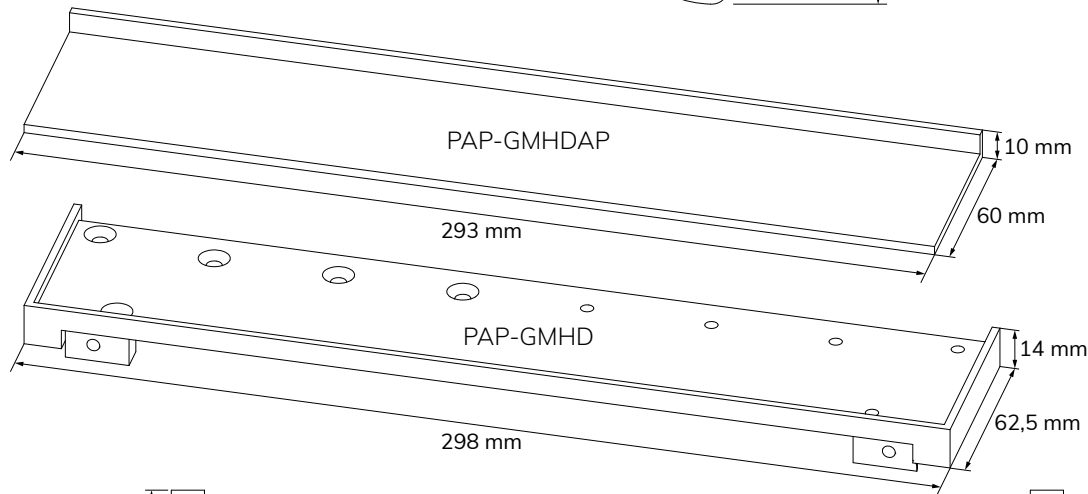
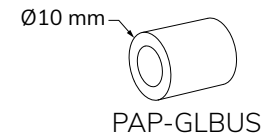
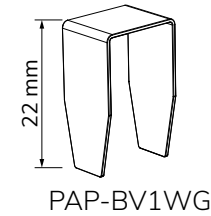
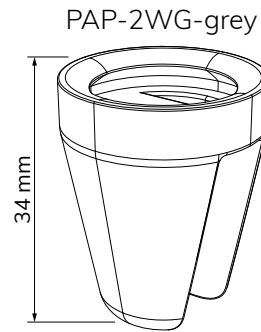
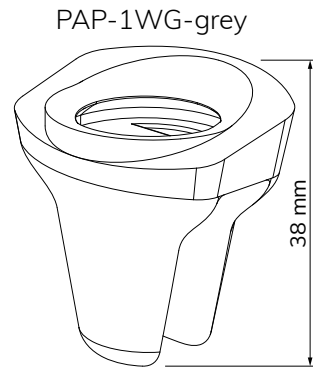
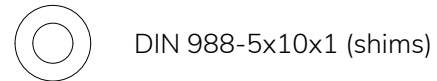
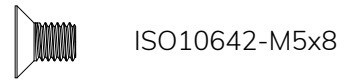
# Stealthpivot NL/XL parts



-  DIN916-M6x8
-  DIN 988-5x10x1 (shims)
-  Maxxfast VK 4,5x50
-  Maxxfast CK 6x50
-  Hiltiplug HUD-1 8x40
-  Hiltiplug HUD-1 6x50
-  TORX BIT TX 20 C6.3
-  TORX BIT TX 25 C6.3
-  25 mm  
Magneet 25x5 - north/south
-  carrossiering M5x25

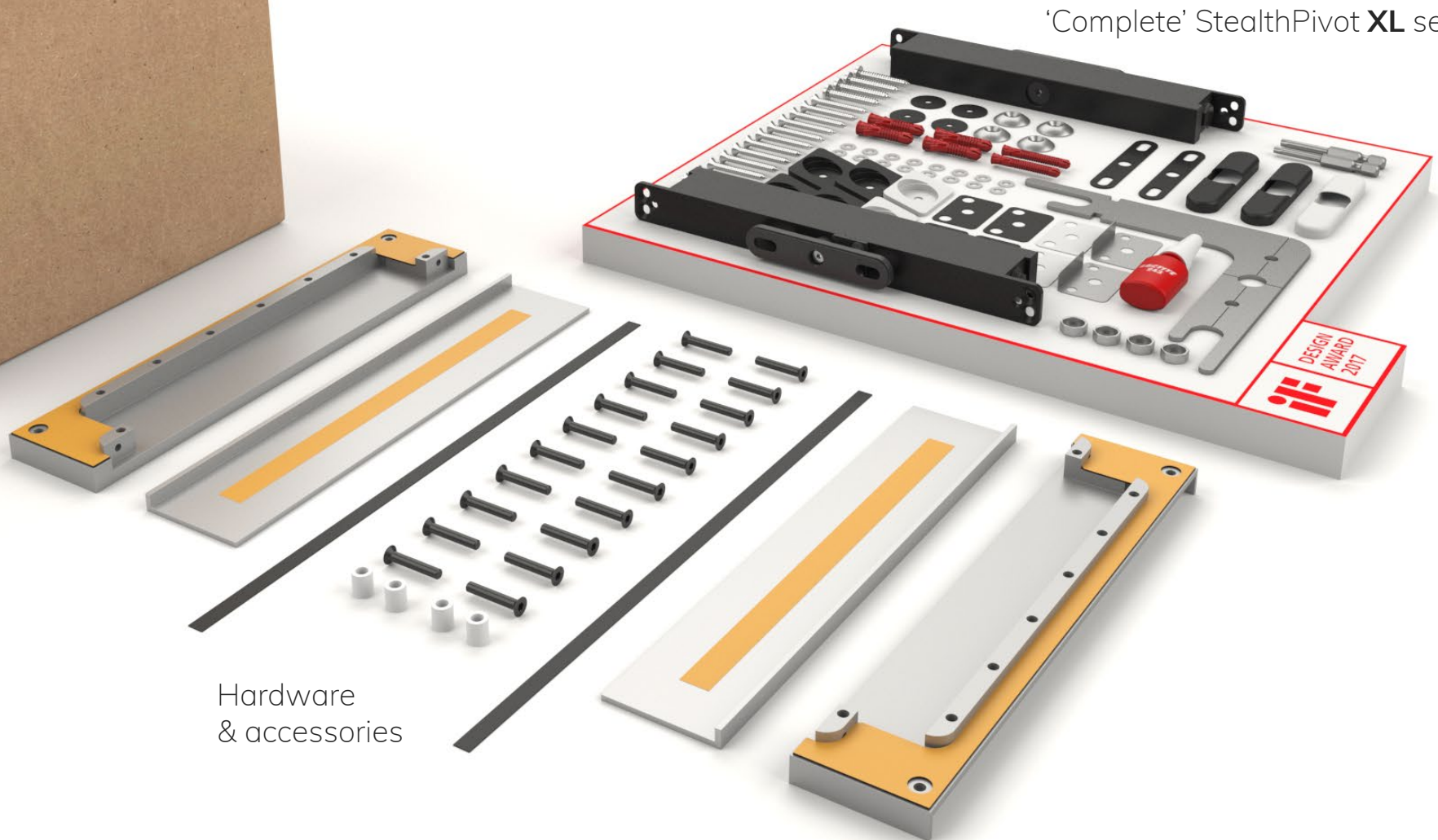


# PortaPivot GLASS parts



# PortaPivot GLASS **XL** example kit overview

'Complete' StealthPivot **XL** set

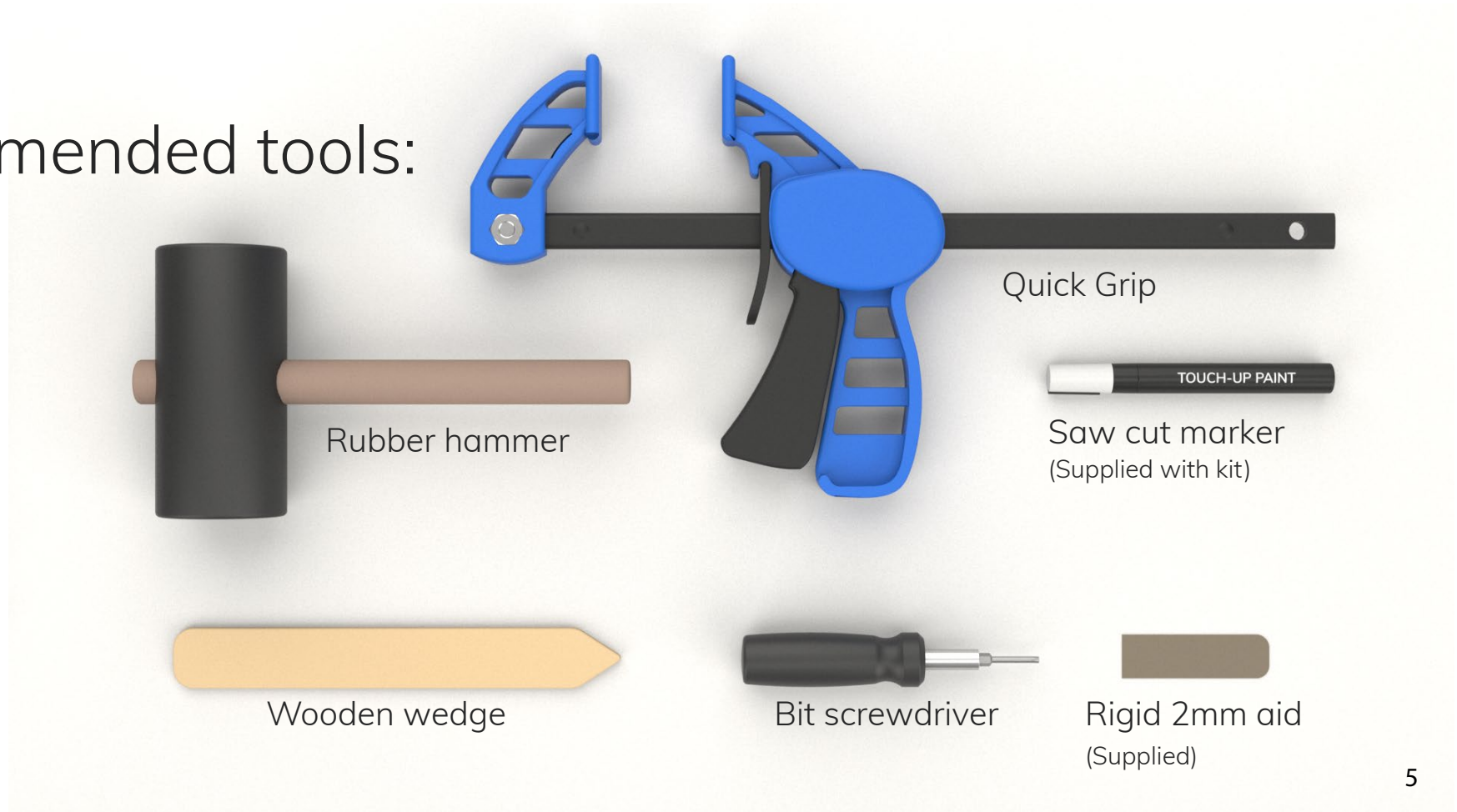


Hardware  
& accessories

# Materials to be purchased locally:

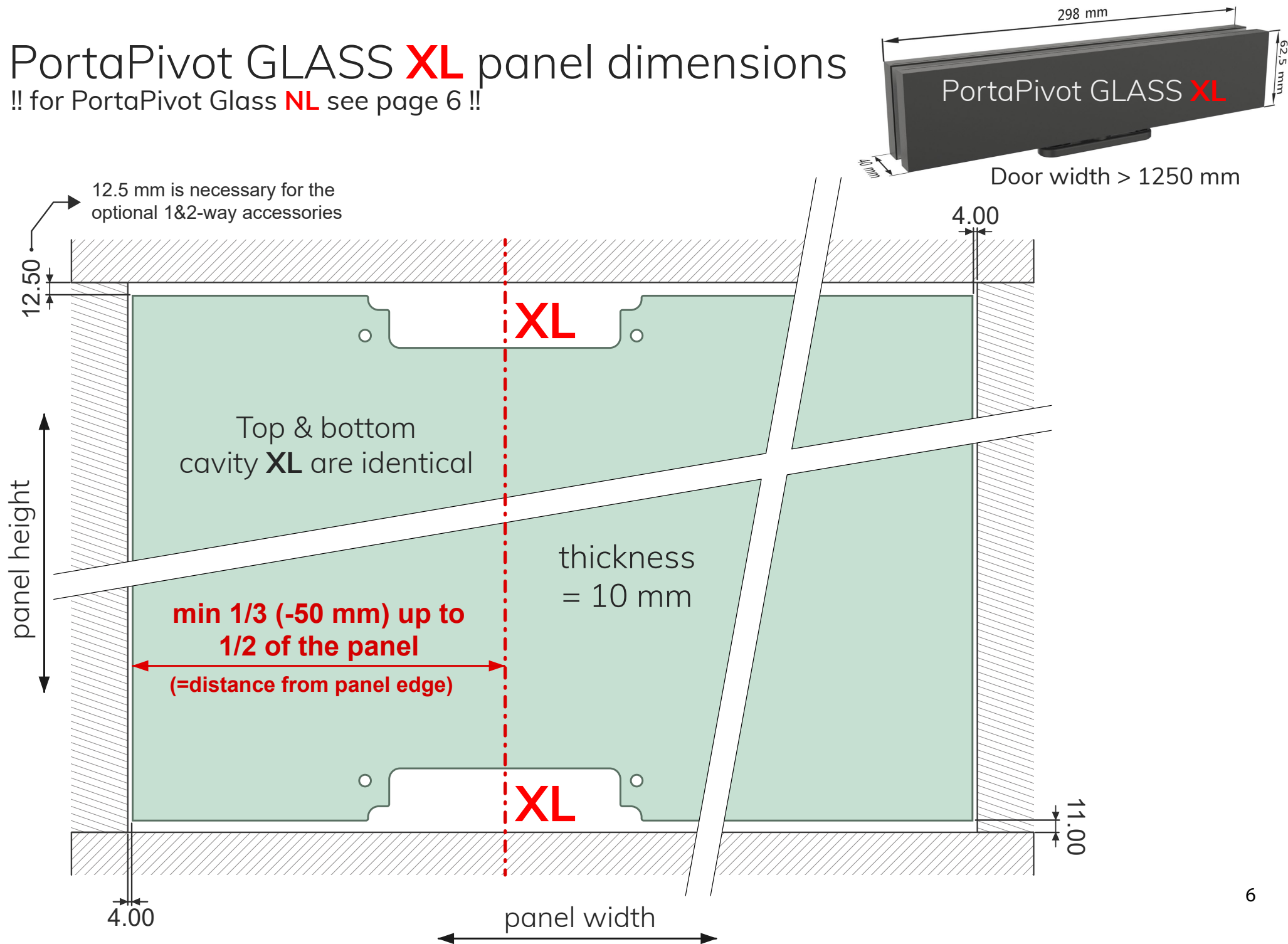
- Safety glass or paneling
- Isopropyl alcohol (degreaser)

# Recommended tools:



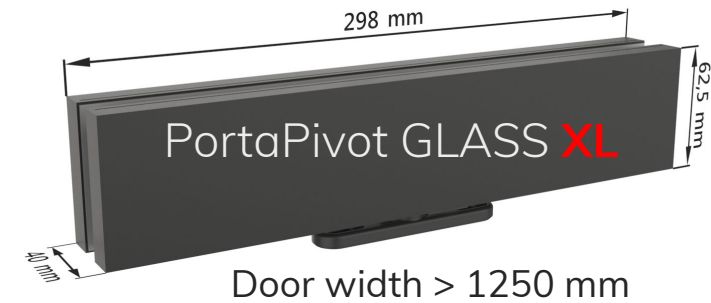
# PortaPivot GLASS XL panel dimensions

!! for PortaPivot Glass NL see page 6 !!

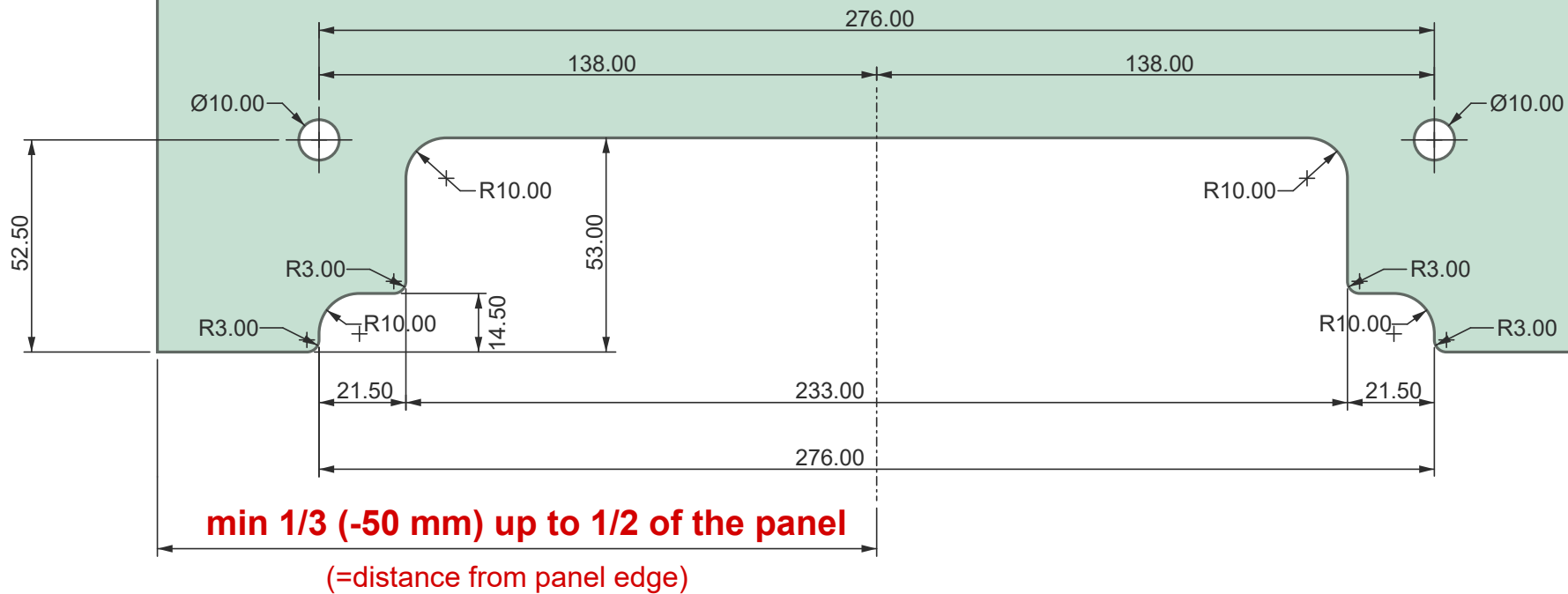


# PortaPivot GLASS XL detailed cavity dimensions

!! for PortaPivot Glass NL see page 7 !!



## detail XL cavity dimensions



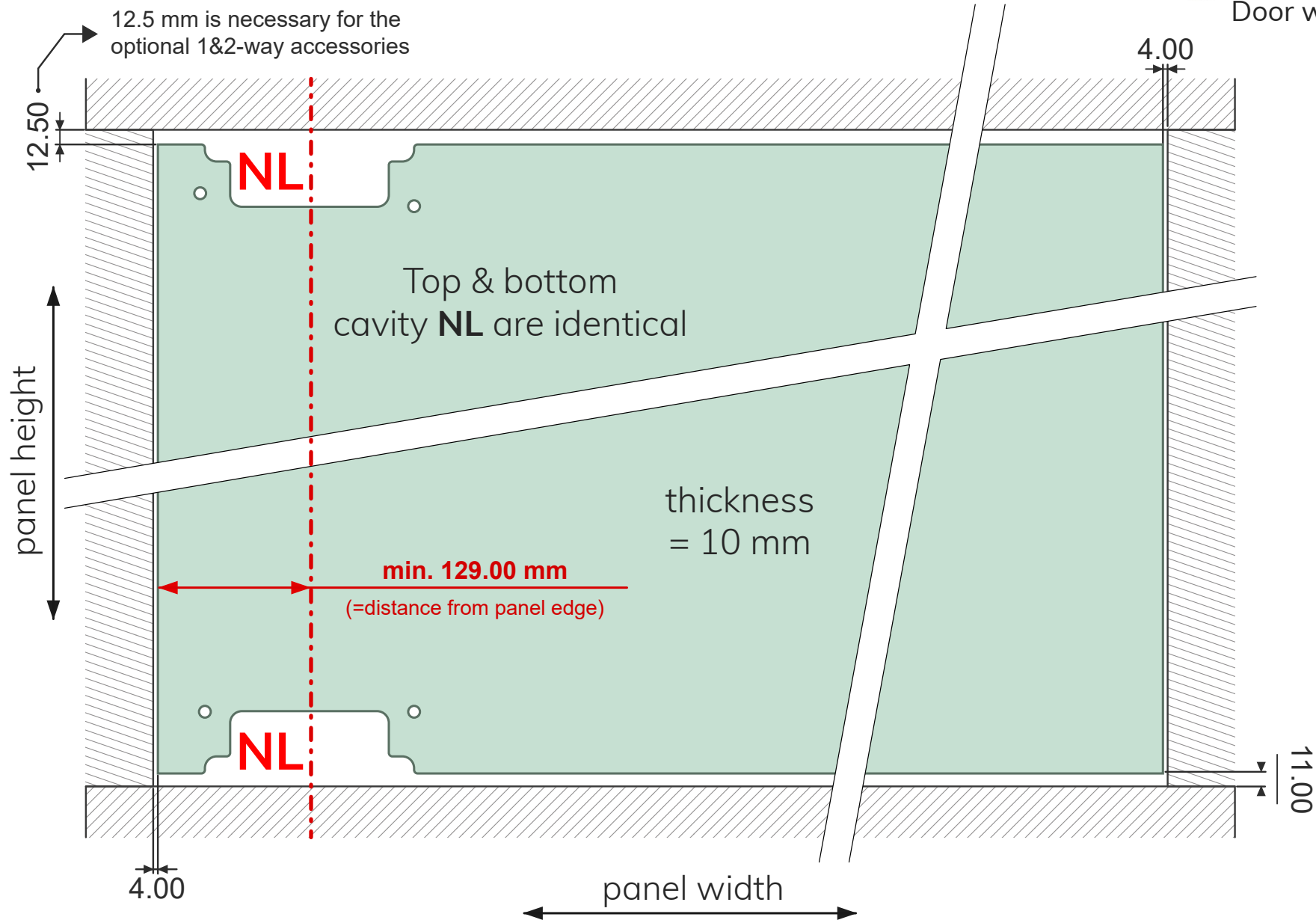


# PortaPivot GLASS **NL** panel dimensions

!! for PortaPivot Glass **XL** see page 4 !!



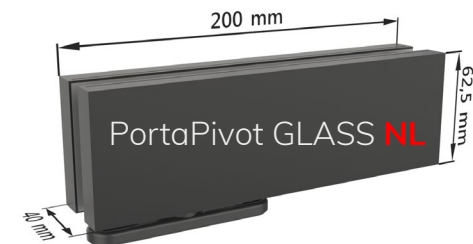
Door width < 1250 mm





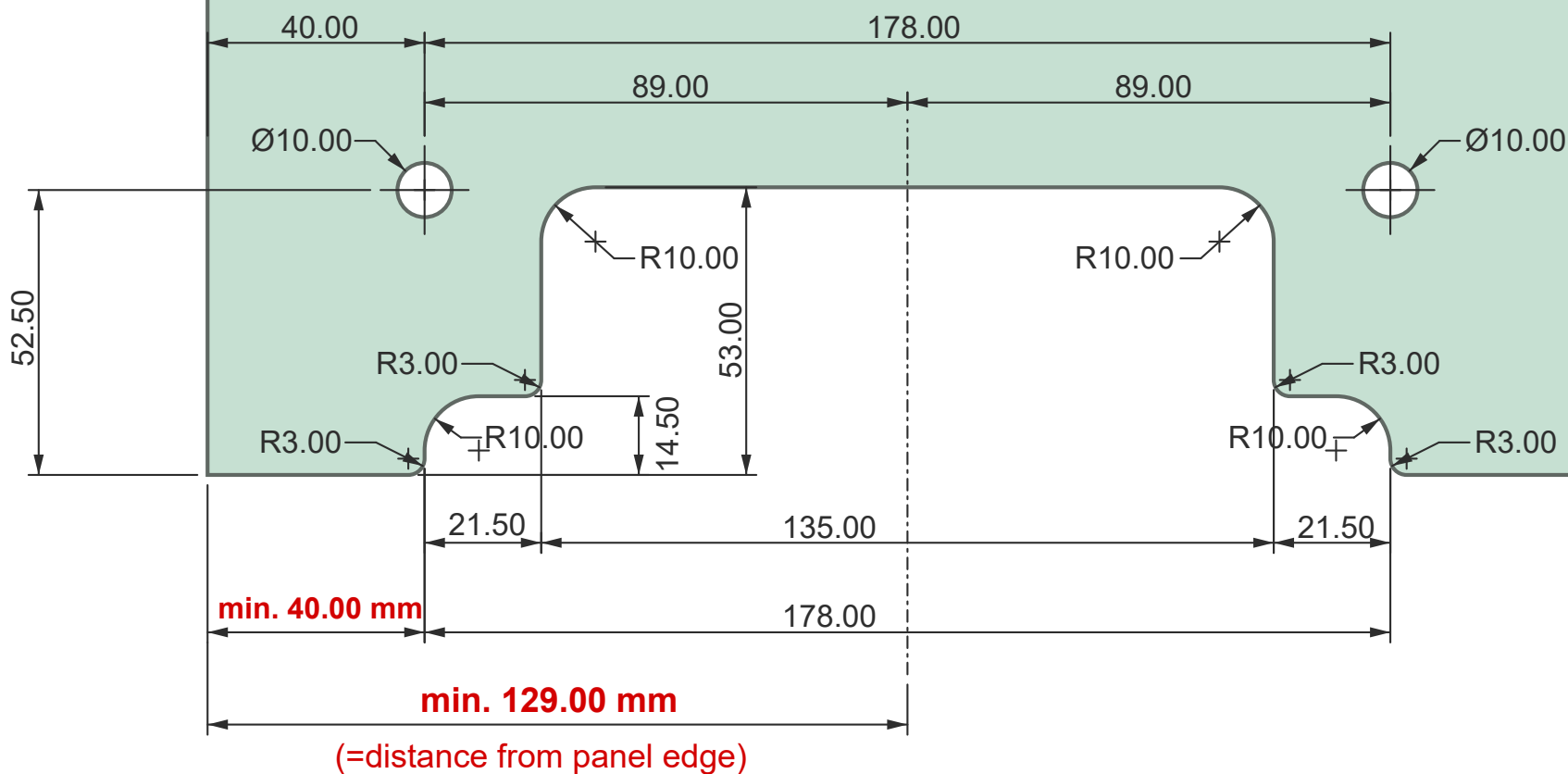
# PortaPivot GLASS **NL** detailed cavity dimensions

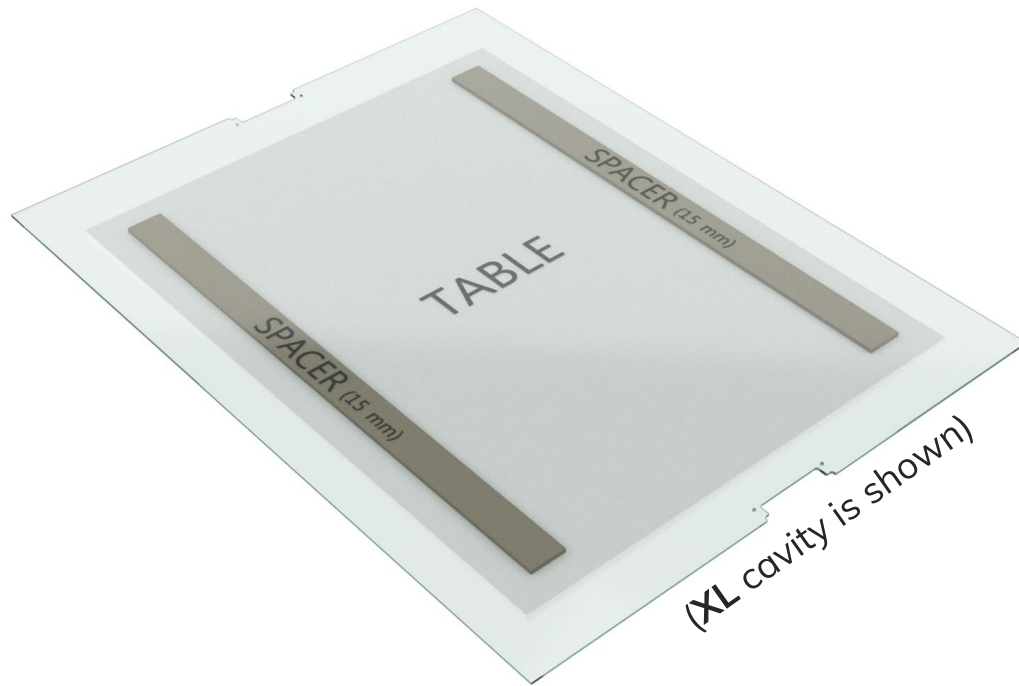
!! for PortaPivot Glass **XL** see page 5 !!



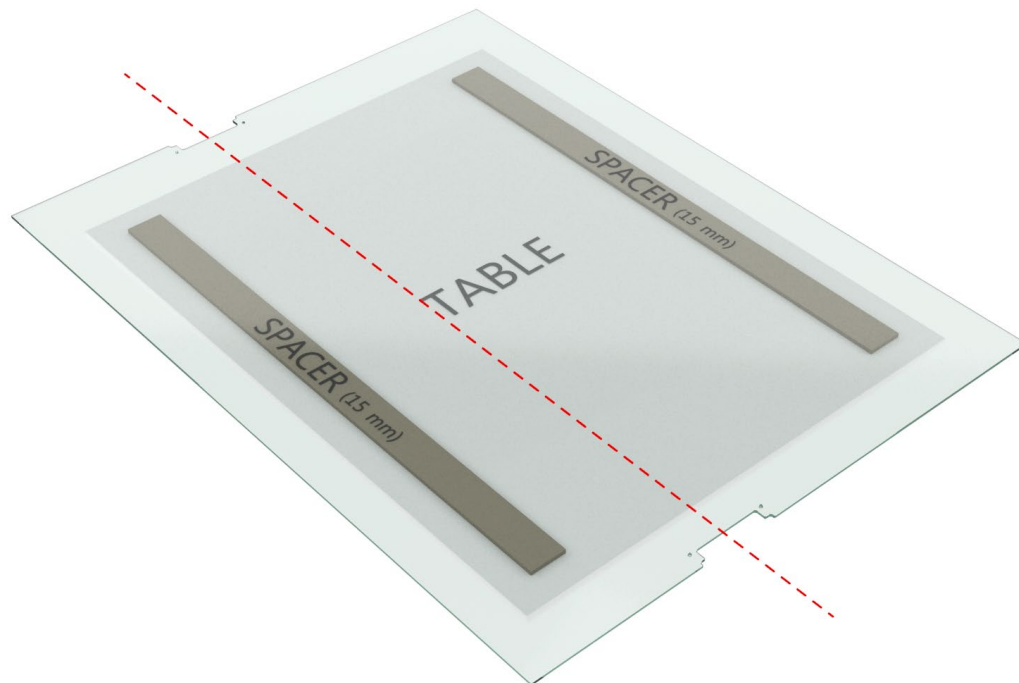
Door width < 1250 mm

## detail **NL** cavity dimensions

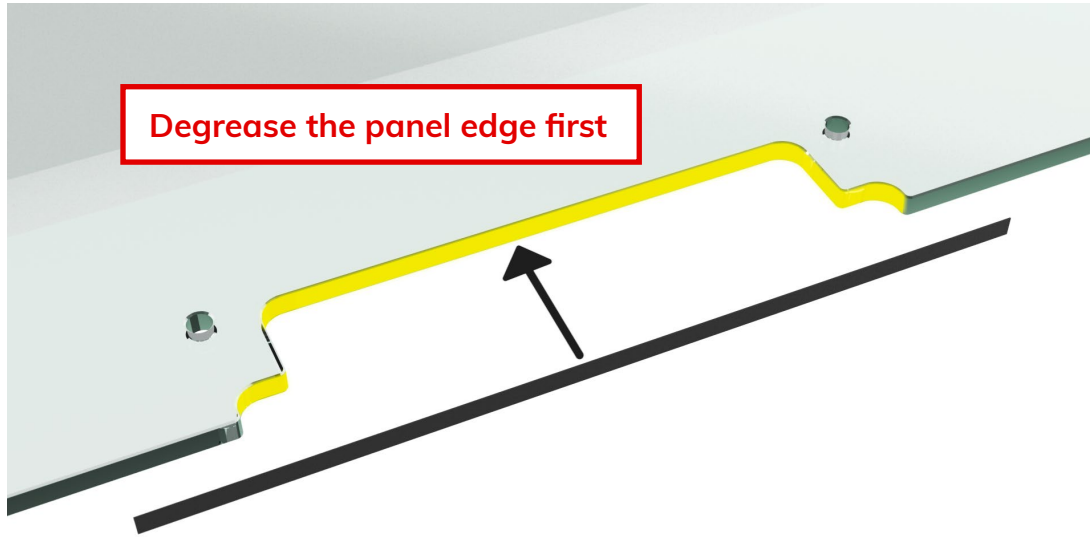




Use 2 wooden spacers (+-15 mm thick) on an assembly table and place the locally purchased panel on top.

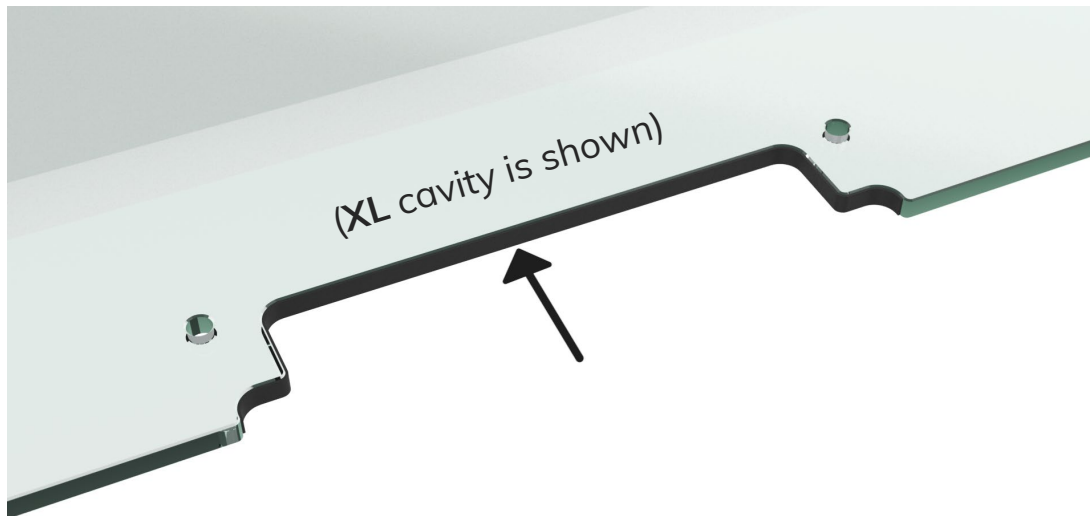


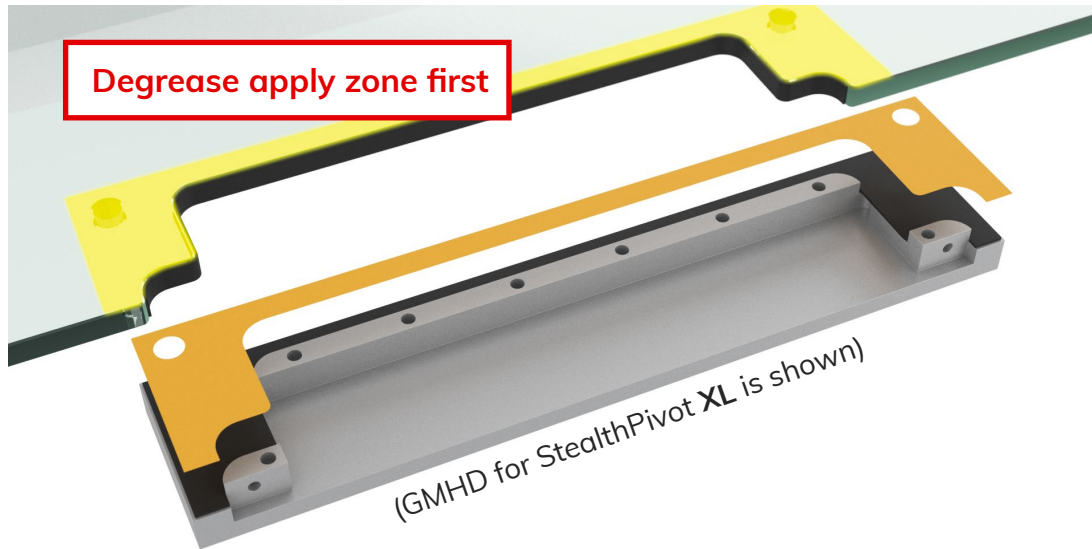
Pivot axis can be anywhere from  $1/3$  (-50 mm) up to  $1/2$  of the panel.



Degrease the edge first with isopropyl alcohol.

Apply the self adhesive rubber strip onto the panel edge.

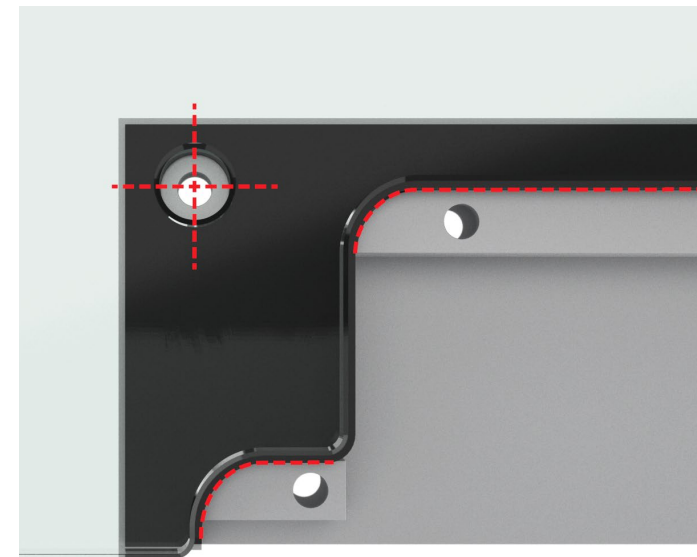


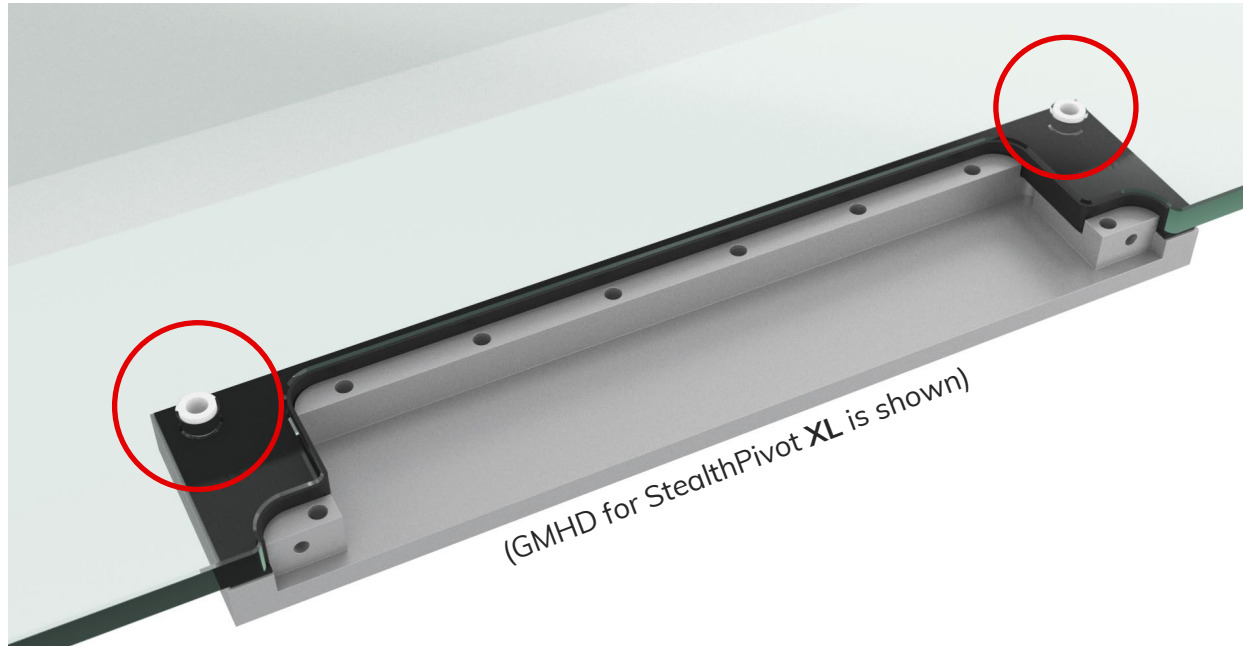


Remove the backing from the adhesive strip from the first aluminium pivot housing (=GMHD).

Carefully slide the GMHD in place and press it against the glass.

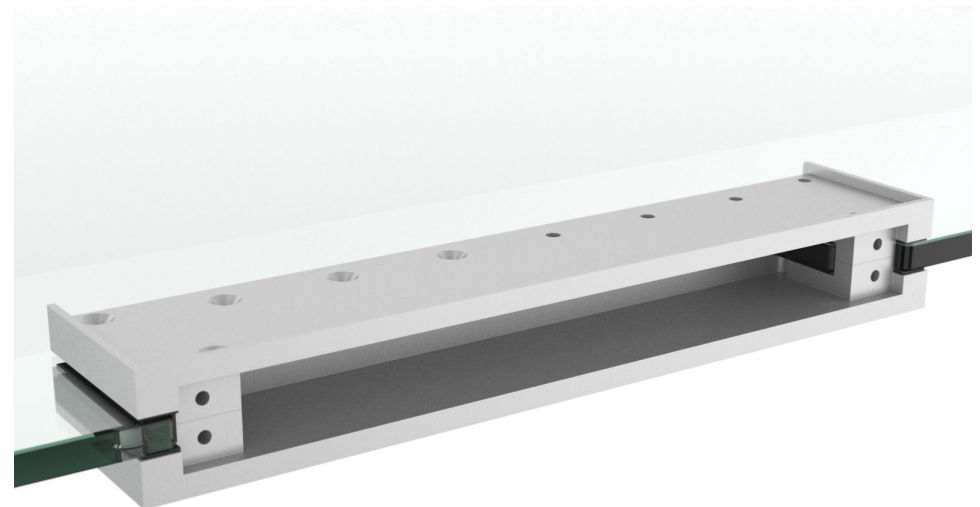
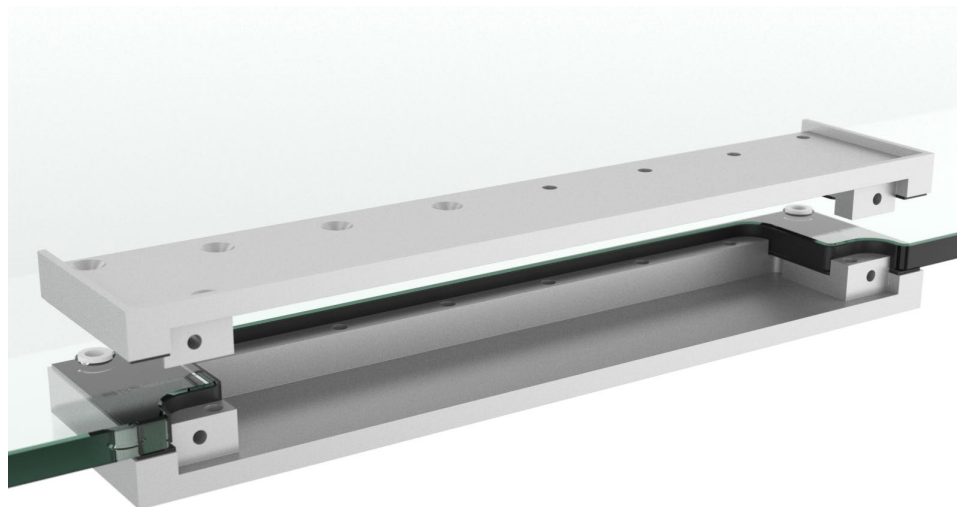
Make sure everything is perfectly aligned.



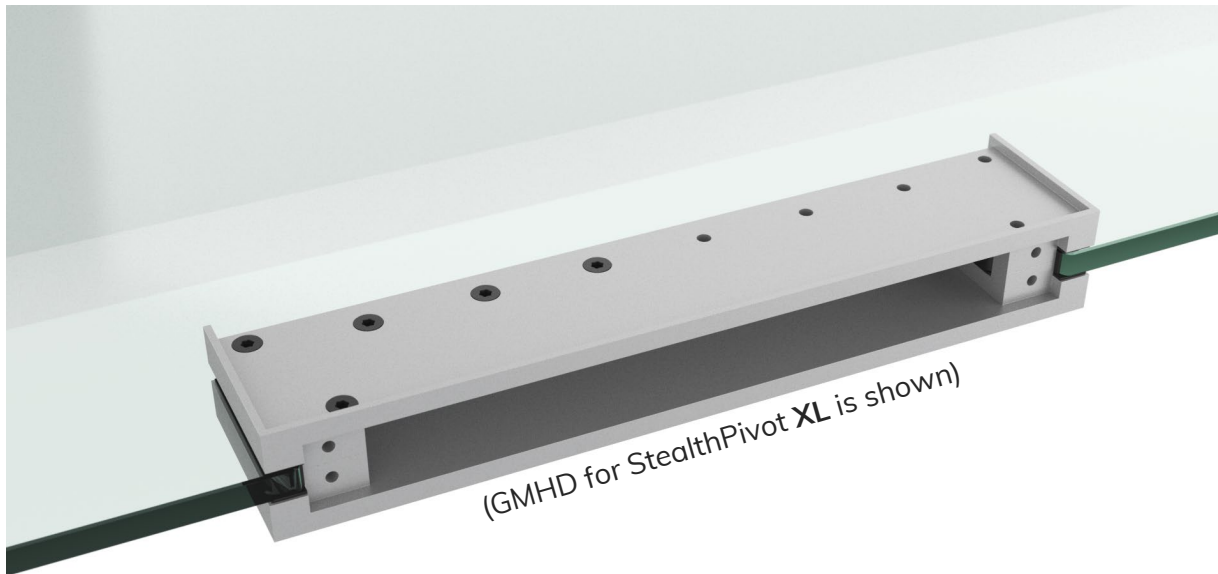
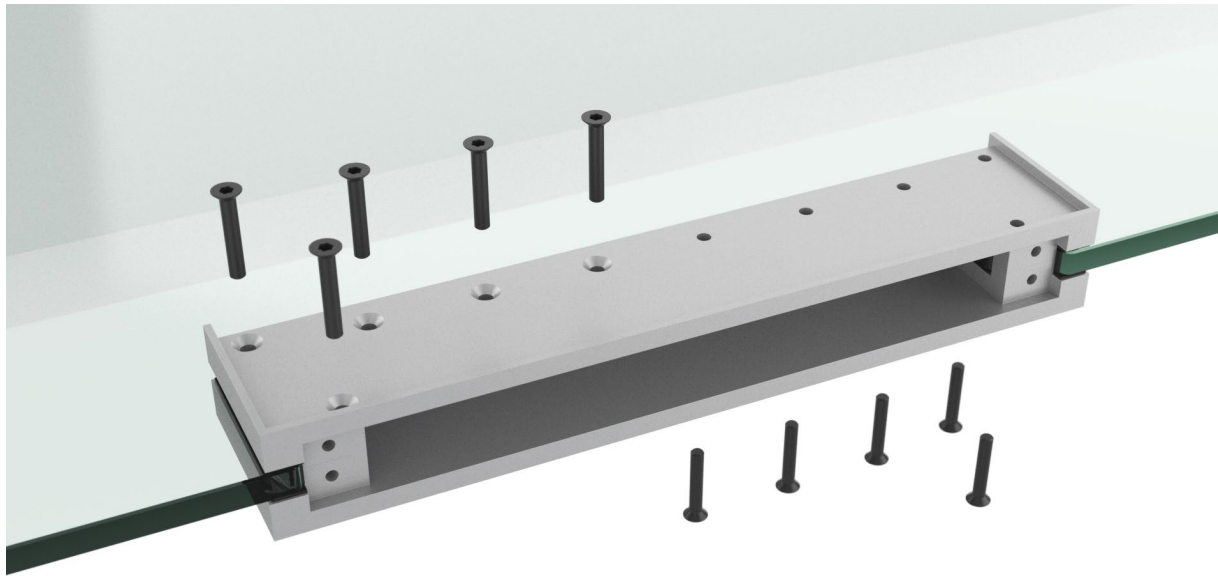


Insert the nylon distance spacers (PAP-GLBUS).

Carefully place the second GMHD on top.



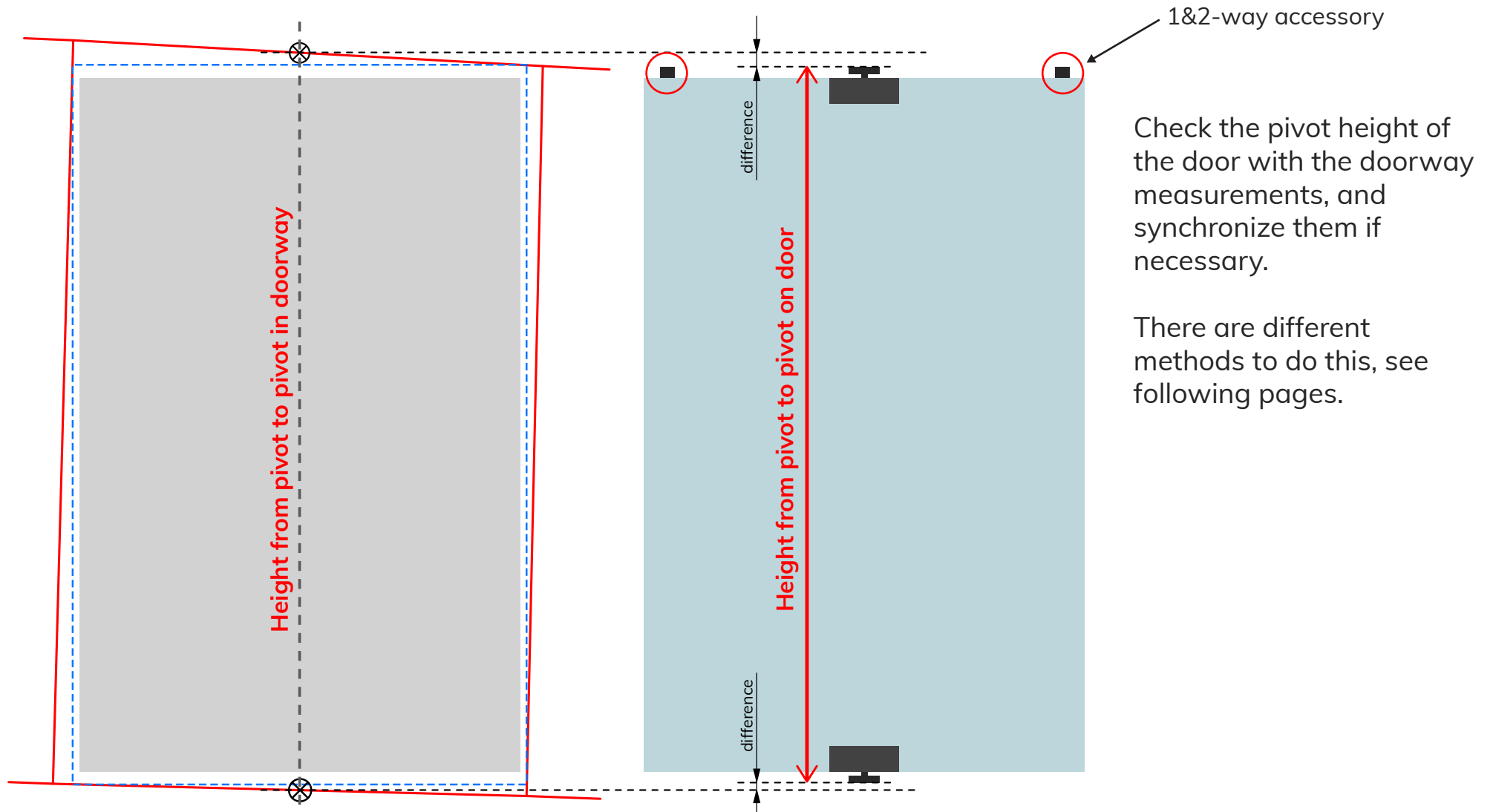
StealthPivot XL (=GMHD) and StealthPivot NL (=GMHE) share identical installation steps



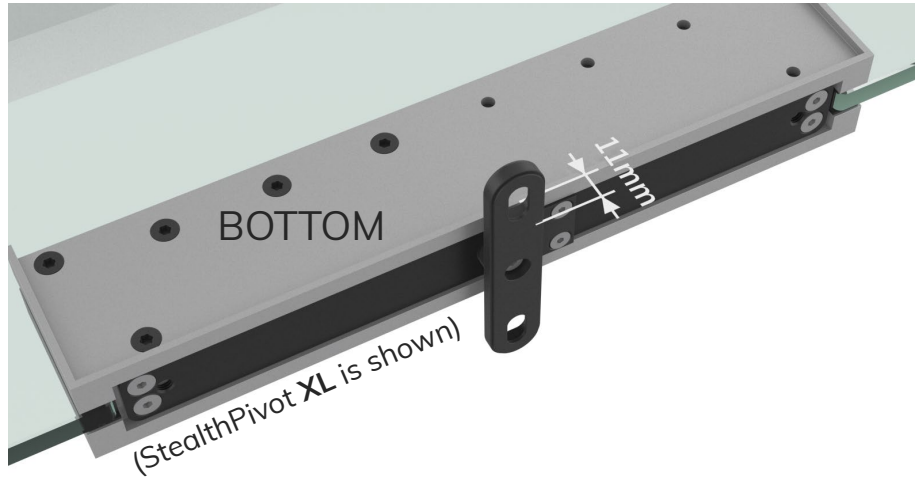
Insert and tighten all screws in left to right alternating pattern.



# Synchronize pivot axis height in doorway

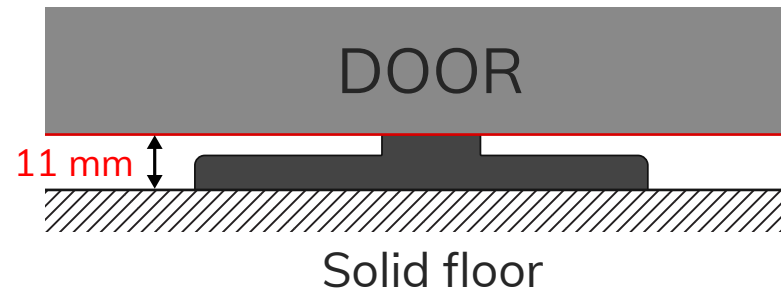






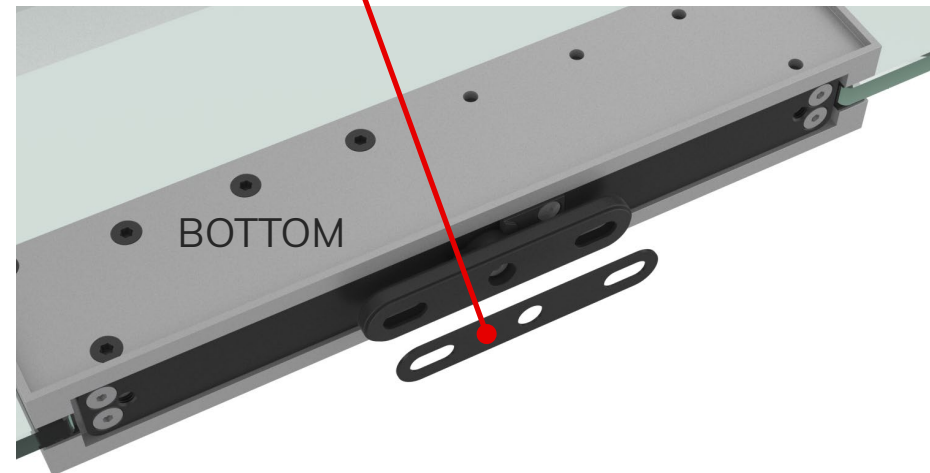
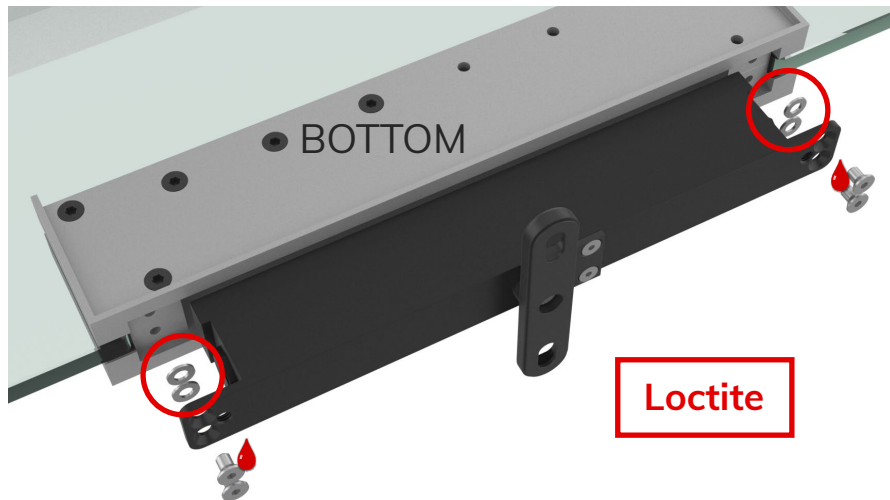
# Adjust bottom hinge height

The default bottom joint is 11 mm (=distance between floor and door leaf edge).



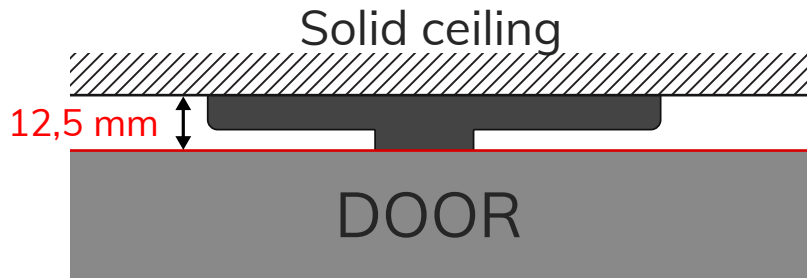
To increase the bottom joint, you have 2 options:  
 1. Use (supplied) shims between hinge and door leaf. This is the preferred method for the bottom hinge.

2. Use supplied shims between floor and hinge (= less stable).



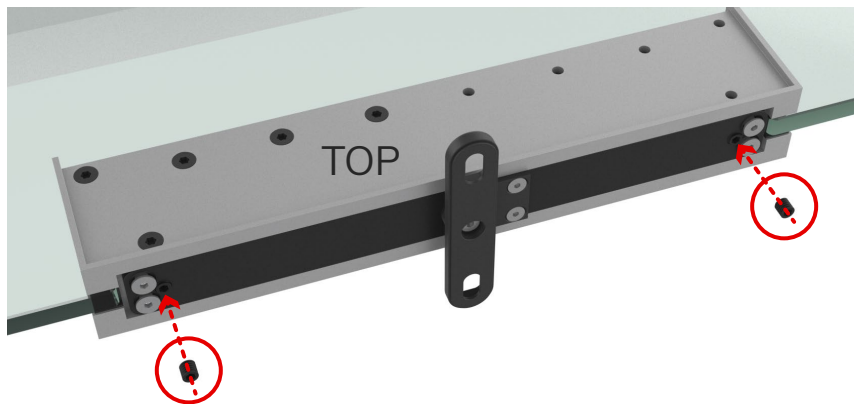
# Adjust top hinge height

The default top joint dimension is 12,5 mm (=distance between ceiling and door leaf edge). This is necessary for the optional 1-way accessory and positioning magnets



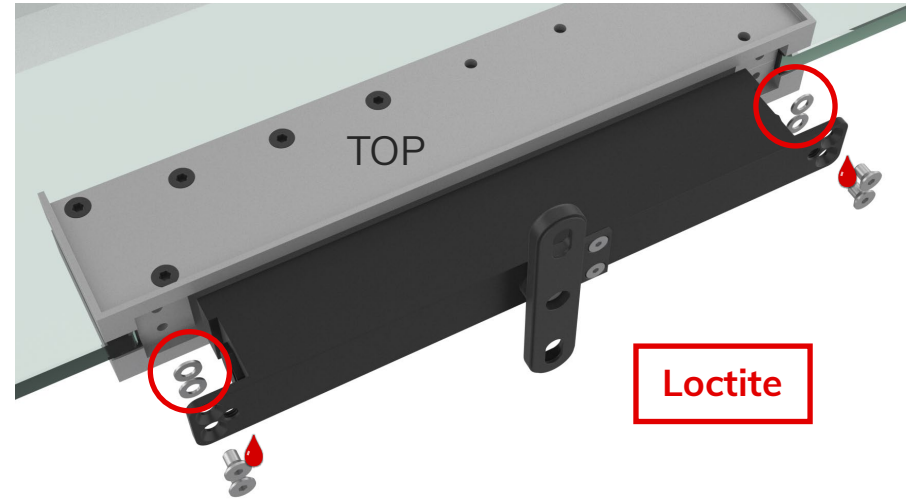
To increase the top joint, you have **3 options**:

1. Adjust the inbus screws to move the hinge further away from the door leaf (loosen 4 screws first).

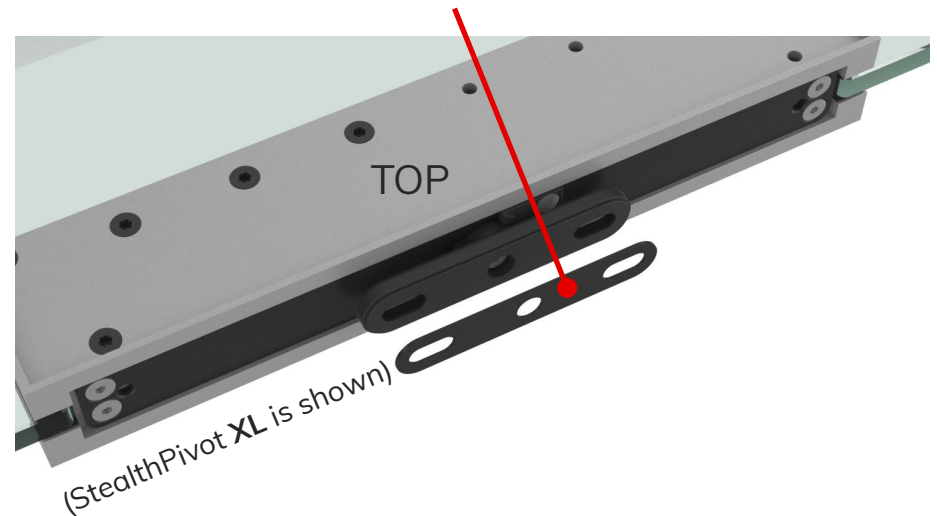


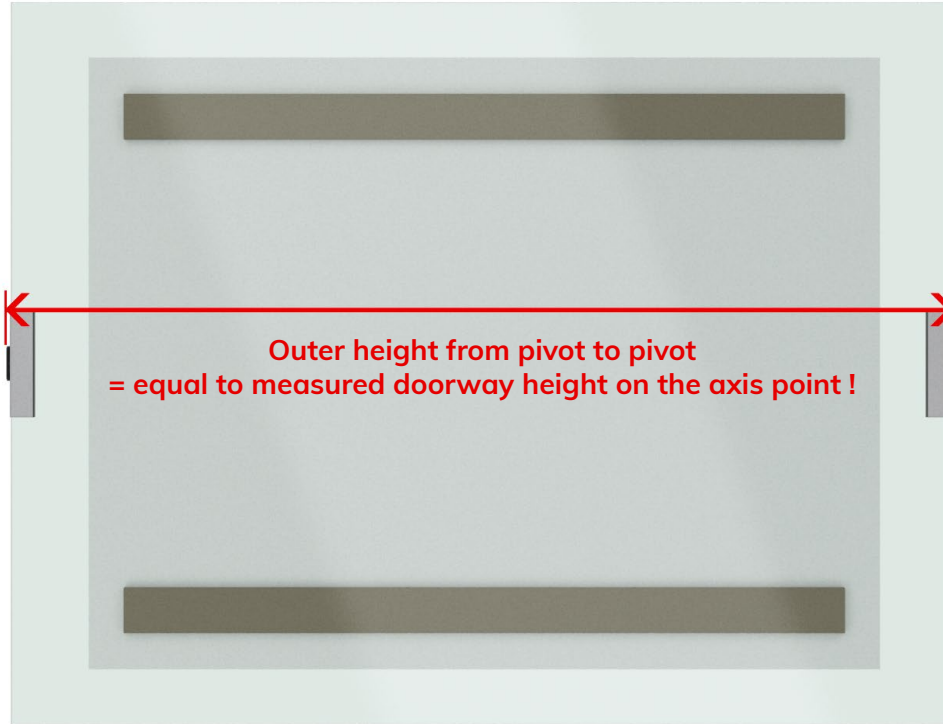
StealthPivot **NL** and StealthPivot **XL** share identical installation steps

2. Use (supplied) shims between hinge and door leaf.

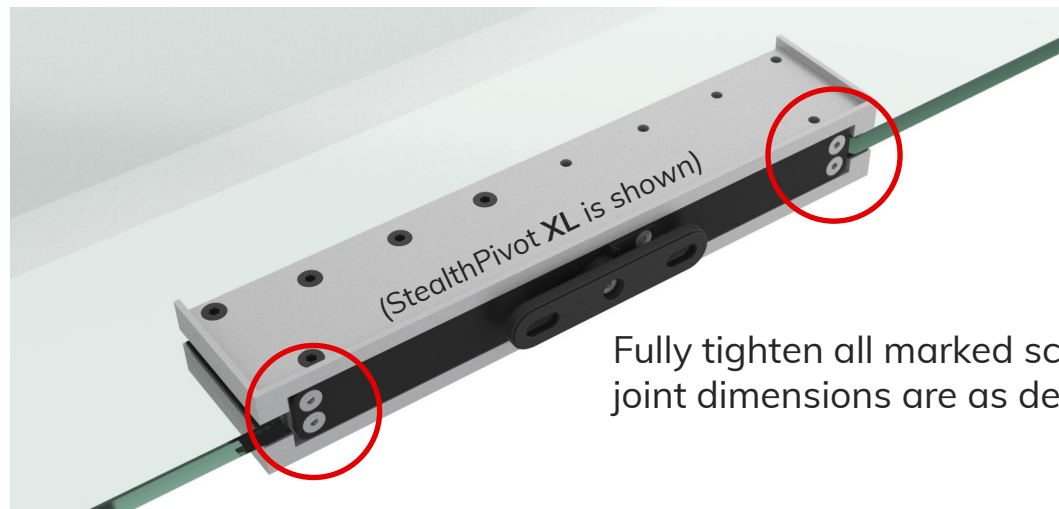
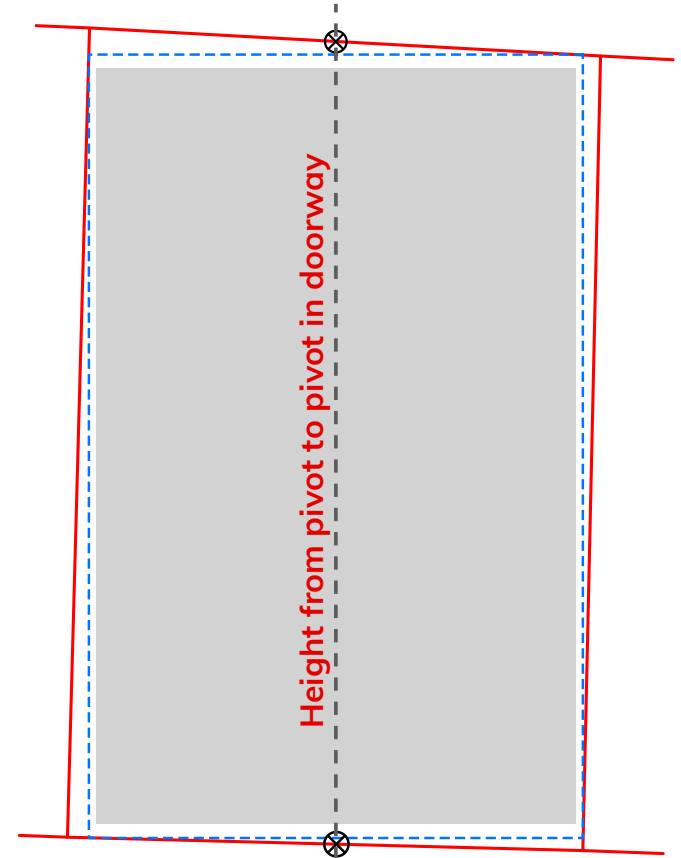


3. Use supplied shims between ceiling and hinge (= less stable is not preferred at the top hinge).





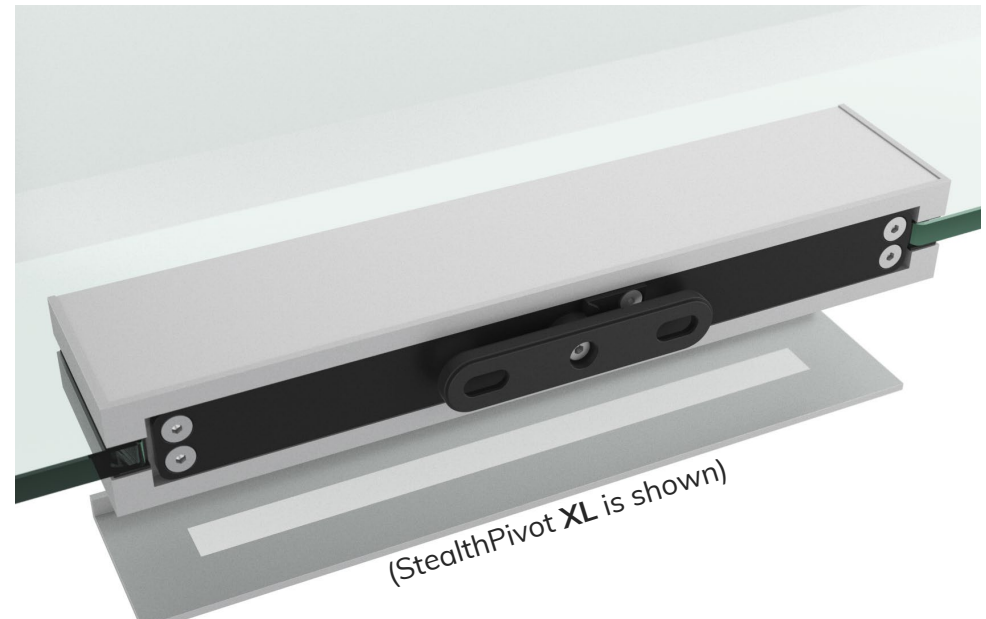
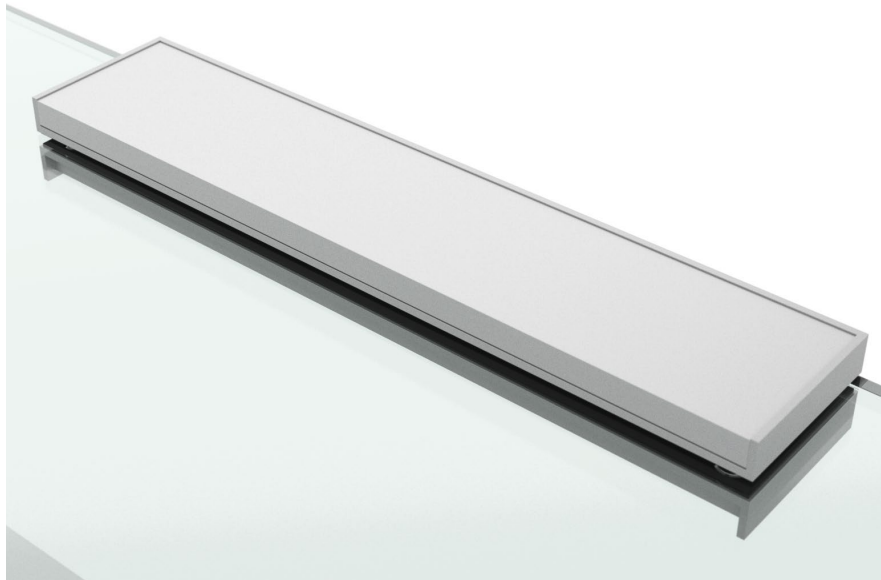
Double check the pivot to pivot distance with the measured doorway height at the axis point.



Fully tighten all marked screws when joint dimensions are as desired.

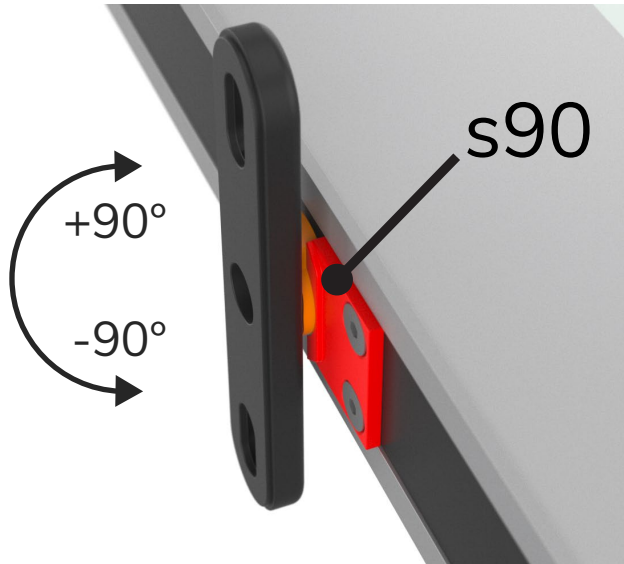


Remove the backing from the adhesive strip and press the cover plates in place.



(StealthPivot XL is shown)

StealthPivot **NL** and StealthPivot **XL** share identical installation steps

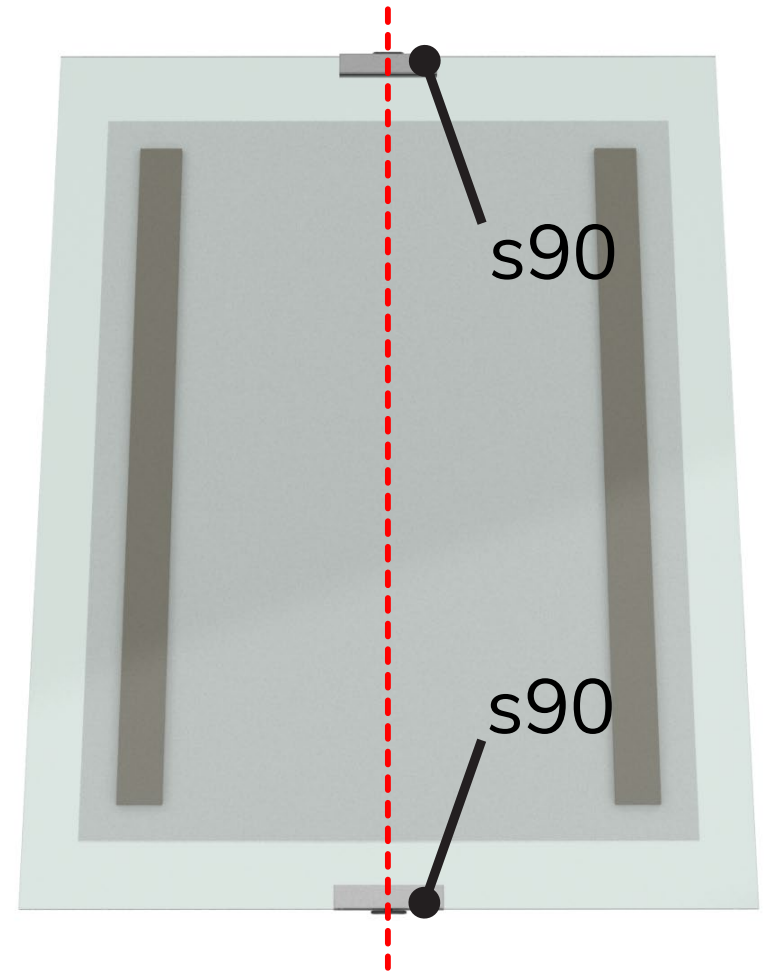


The s90 will stop the door in open position at +/-90°.



For unlimited 360° rotation, remove the s90 from top and bottom pivot. This is only advised for central axis position.

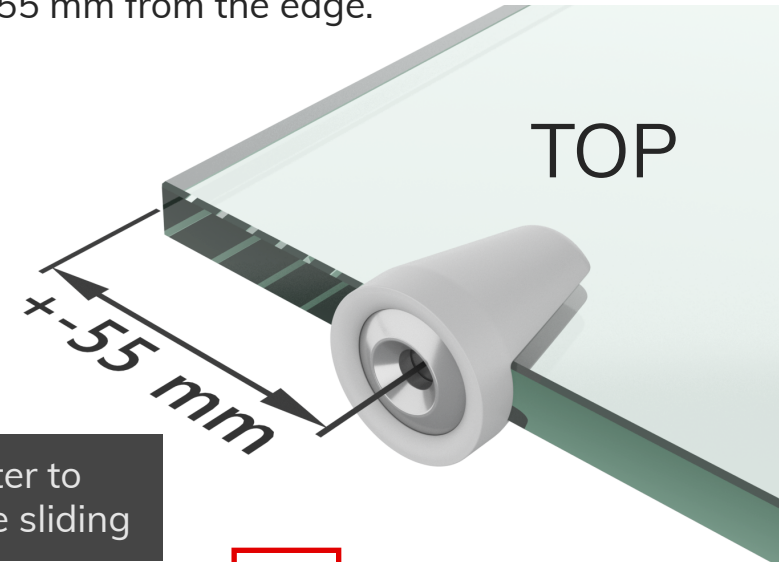
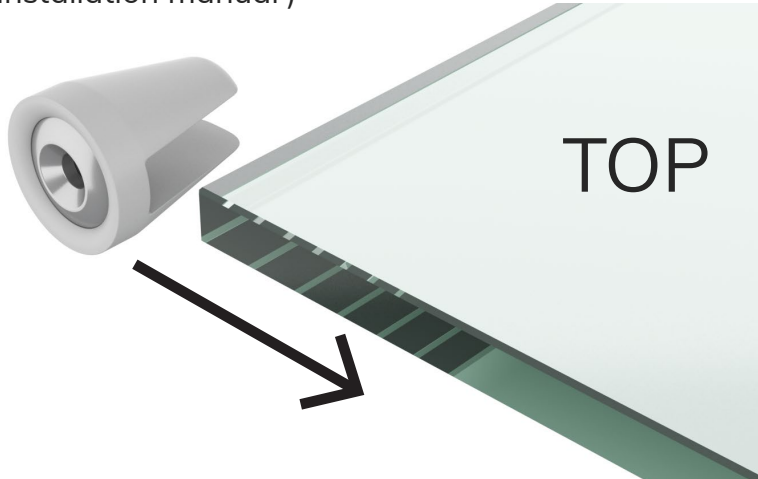
**!! Make sure the s90 is always on the same side top and bottom !!**



# Mouting 2-way positioning magnets

We advise to install the optional 2-way positioning magnet(s) onto the door leaf.  
(For counter magnets on the ceiling, see 'Door installation manual')

Slide the 2-way + magnet over the panel, +/-55 mm from the edge.



**TIP**  
Use water to facilitate sliding

**TIP**  
Lock the 2-way using glue, after the door has been completely installed



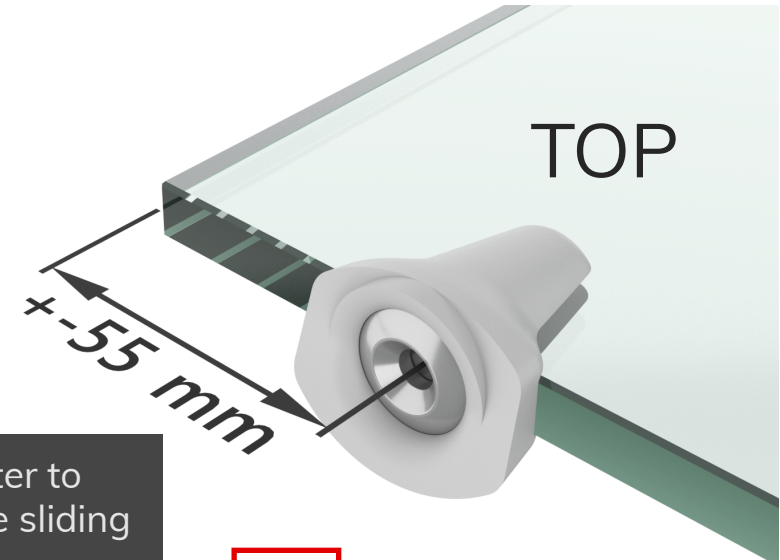
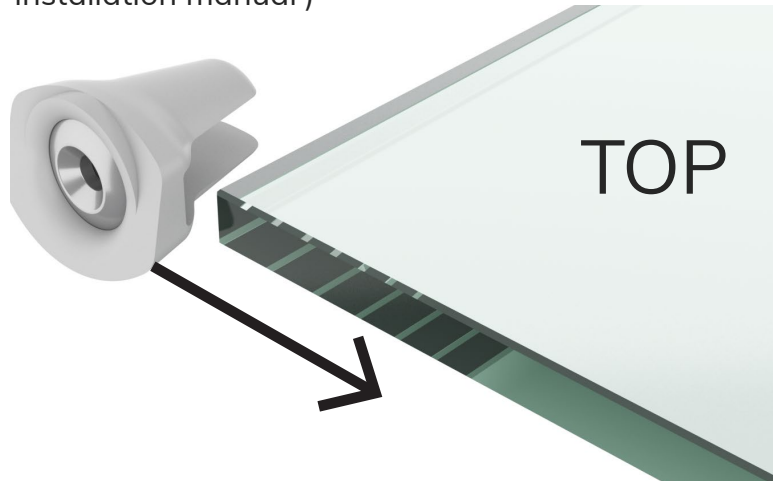
2-way + magnets can be mounted on both sides of the XL panel.



# Mouting 1-way positioning magnets

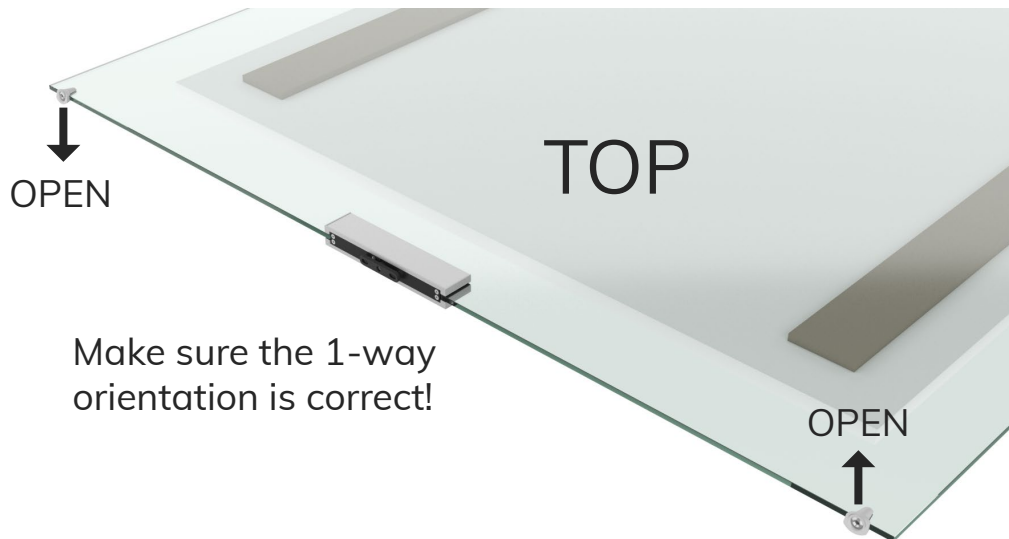
For 1-way door operation, install the 1-way part(s) and positioning magnet(s) onto the door leaf.  
(For counter parts & magnets on the ceiling, see 'Door installation manual')

Slide the 1-way part over the panel,  $\pm 55$  mm from the edge.



**TIP**  
Use water to facilitate sliding

**TIP**  
Lock the oneway using glue, after the door has been completely installed



Make sure the 1-way orientation is correct!

1-way + magnets can be mounted on both sides of the XL panel.



For further instructions on how to install  
the fully assembled door in your doorway,  
please refer to the DOOR INSTALLATION MANUAL