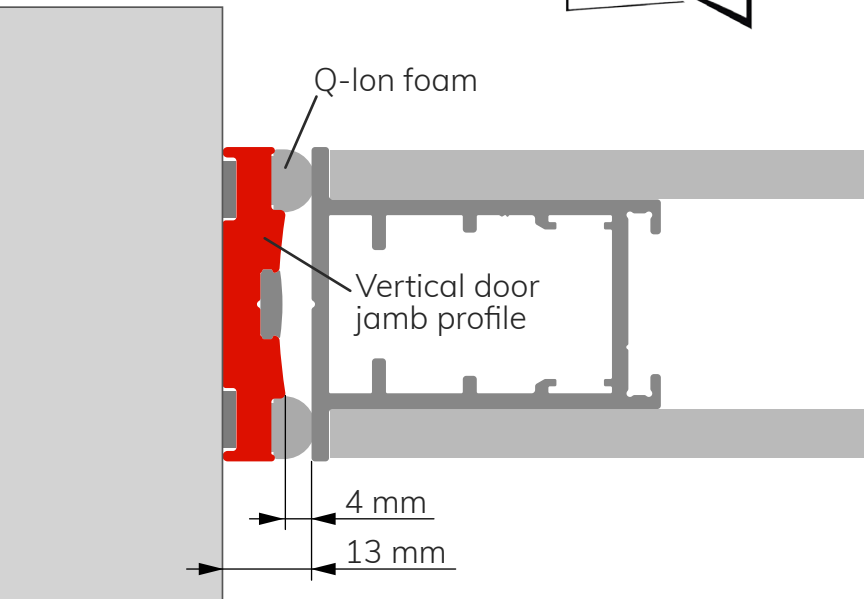


Measure doorway
and calculate door leaf size
without vertical door jambs

see pages 2 - 14

STEALTHPIVOT
By PortaPivot

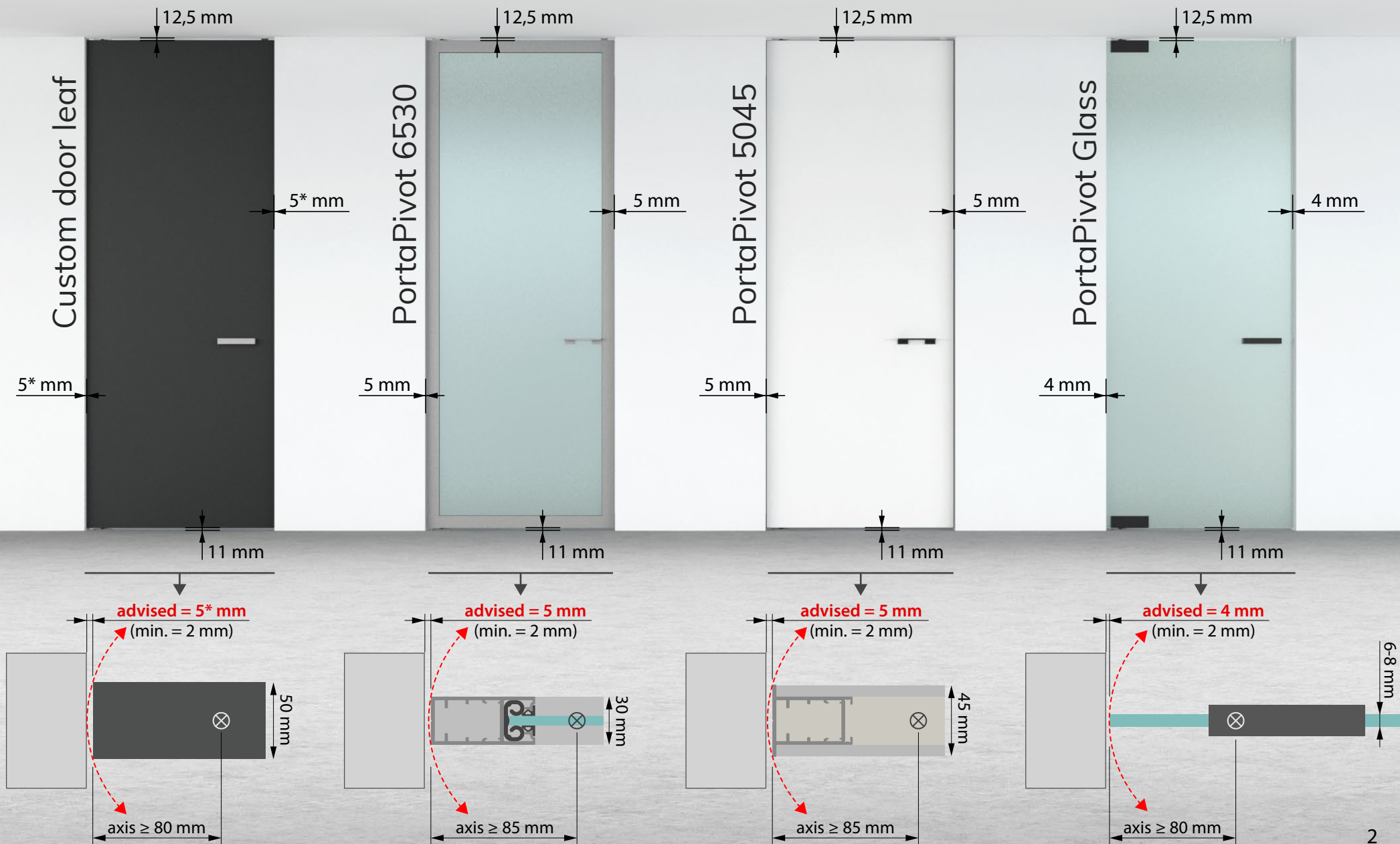
Patented technology



Measure doorway
and calculate door leaf size
with vertical door jambs

see pages 15 - 30

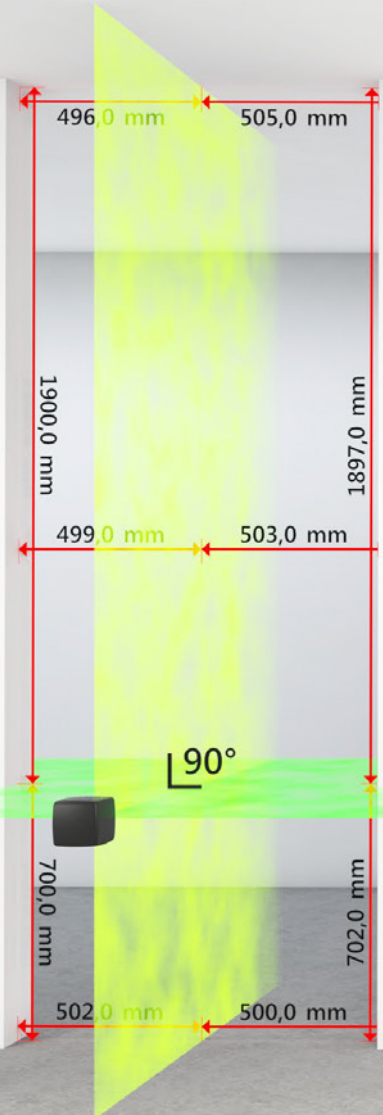
Advised joint dimensions - **without** vertical door jambs



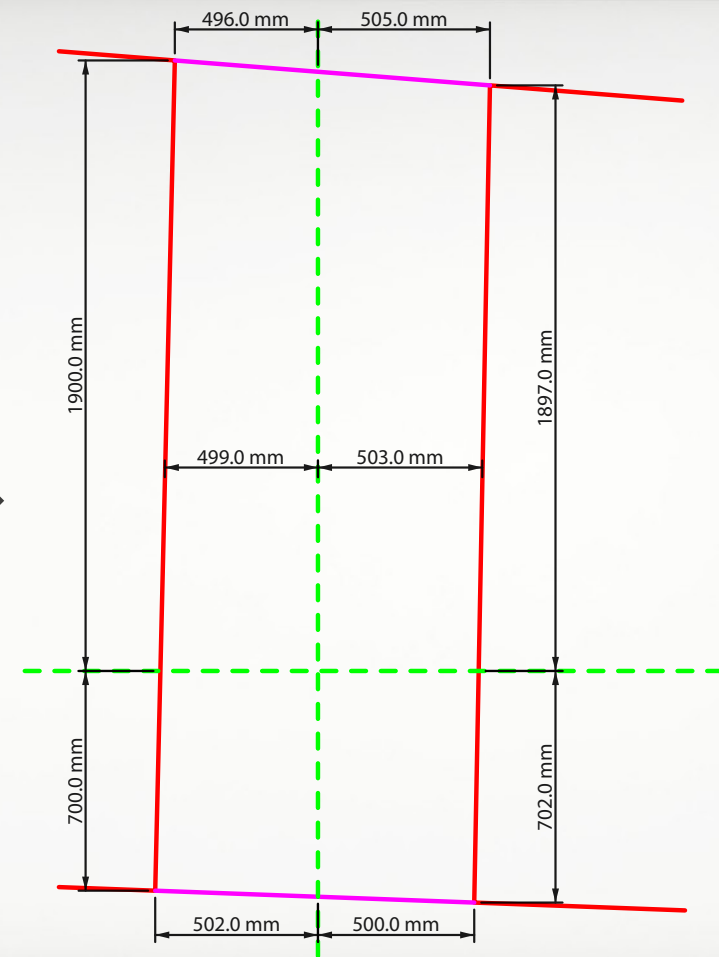
* For thicker door leaves, you have to recalculate the left and right joint dimensions in relation to the pivot axis distance.

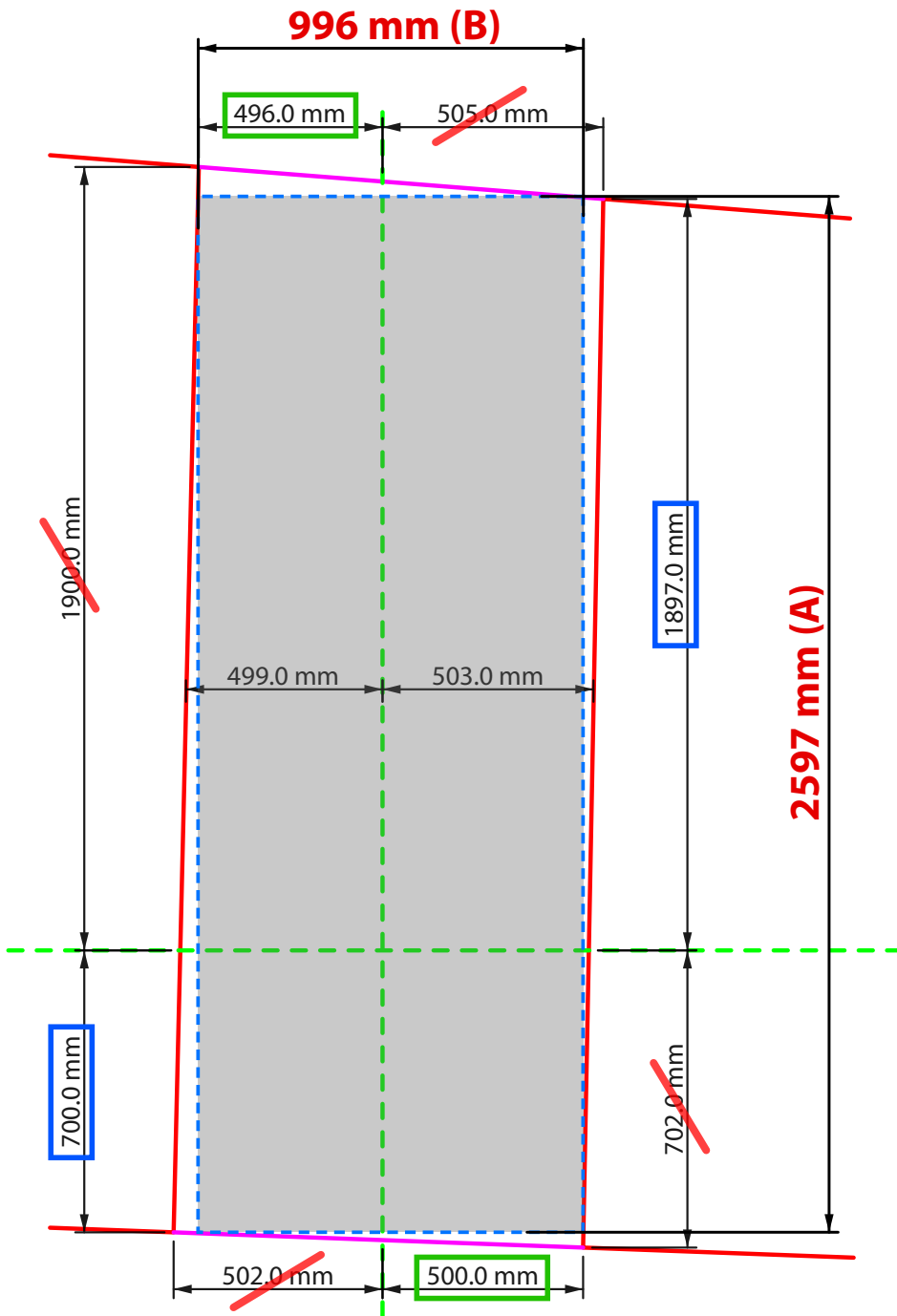
Calculate single door leaf size

Step 1: Measure fully finished doorway with electronic laser



EXAGGERATED SKETCH





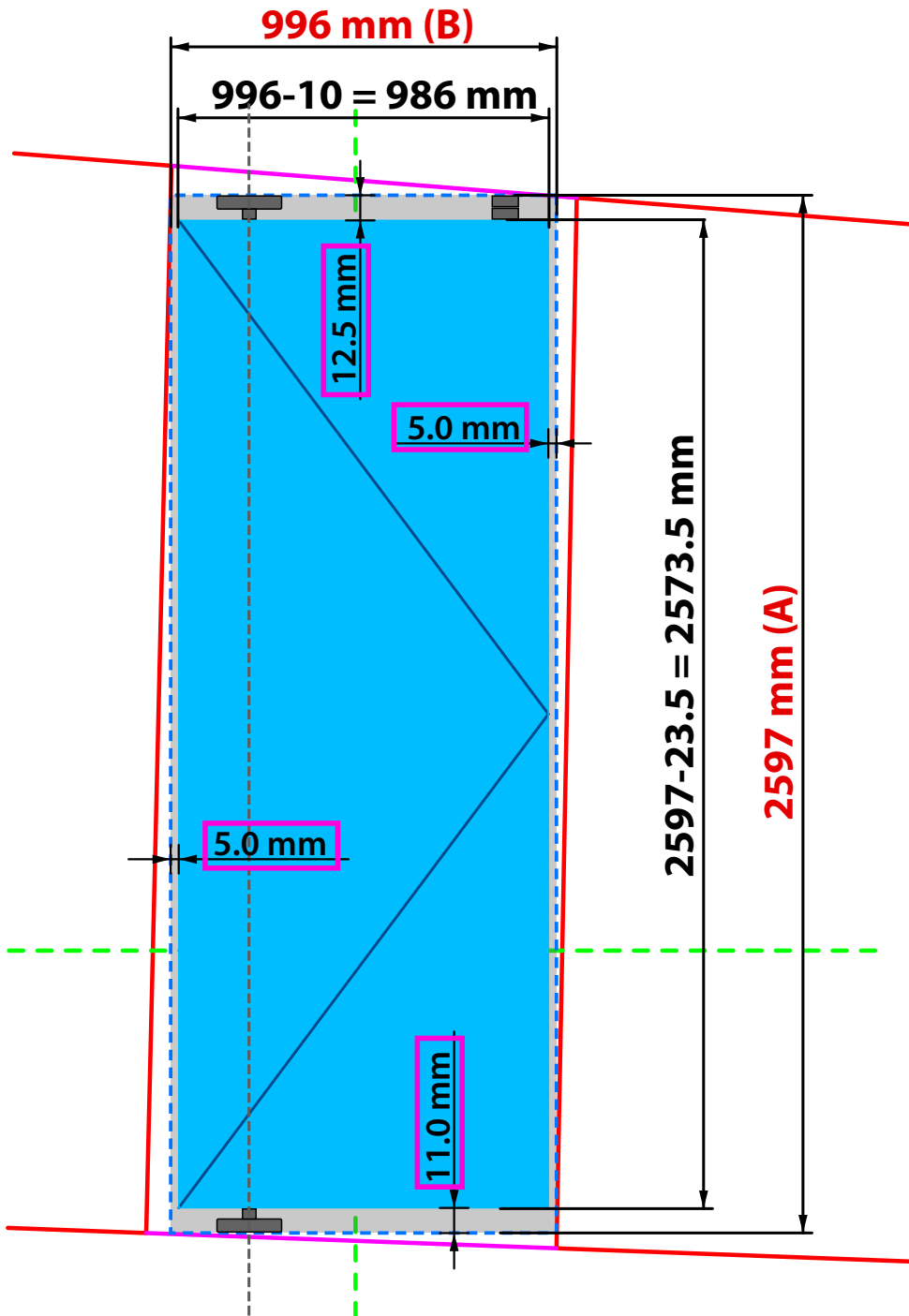
Step 2: Calculate maximum rectangular surface

To calculate the maximum rectangular surface (=grey area), add the smallest dimensions in width and height.

Maximum rectangular surface:

$$\text{Height} = 1897 + 700 = 2597 \text{ mm}$$

$$\text{Width} = 496 + 500 = 996 \text{ mm}$$



Step 3: Calculate door leaf size

The maximum rectangular surface will be used to calculate the door leaf size.

NOTE: the position of the hinge can influence the final door leaf size (see page 7 for right hinge setup).

Left hinge setup

Subtract the **advised joint dimensions*** from the maximum rectangle (AxB).

$$\text{Door leaf height} = A - (11 + 12,5)$$

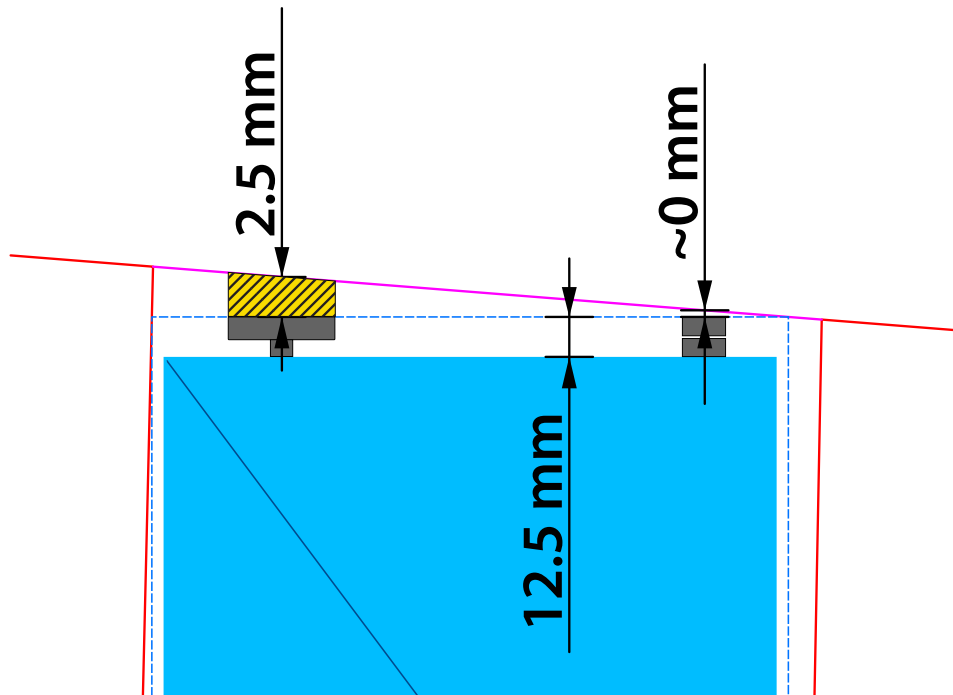
$$\text{Door leaf width} = B - (5^* + 5^*)$$

So in this example:

$$\text{Door leaf height} = 2597 - 23,5 = 2573,5 \text{ mm}$$

$$\text{Door leaf width} = 996 - 10 = 986 \text{ mm}$$

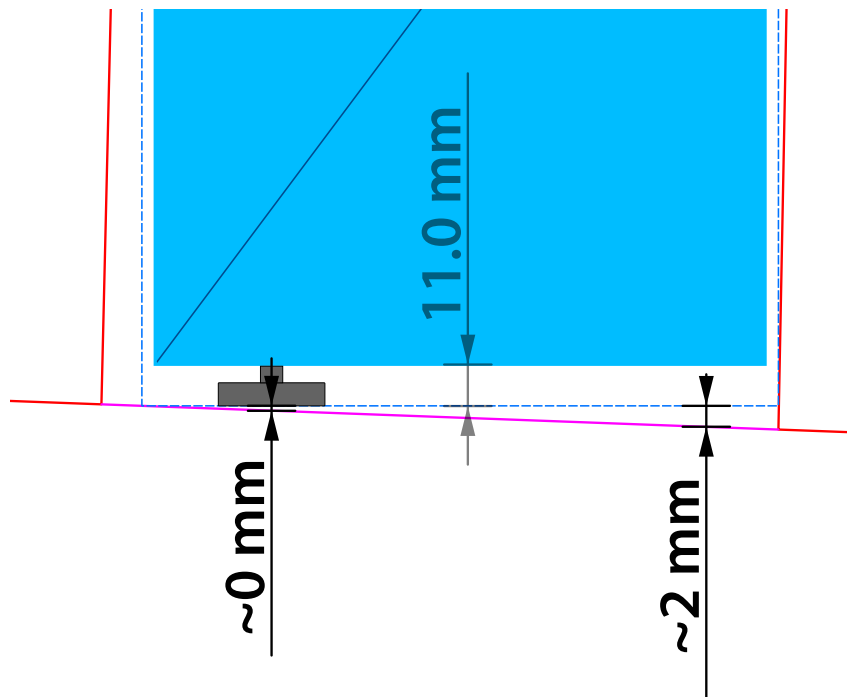
*See page 2 for detailed information



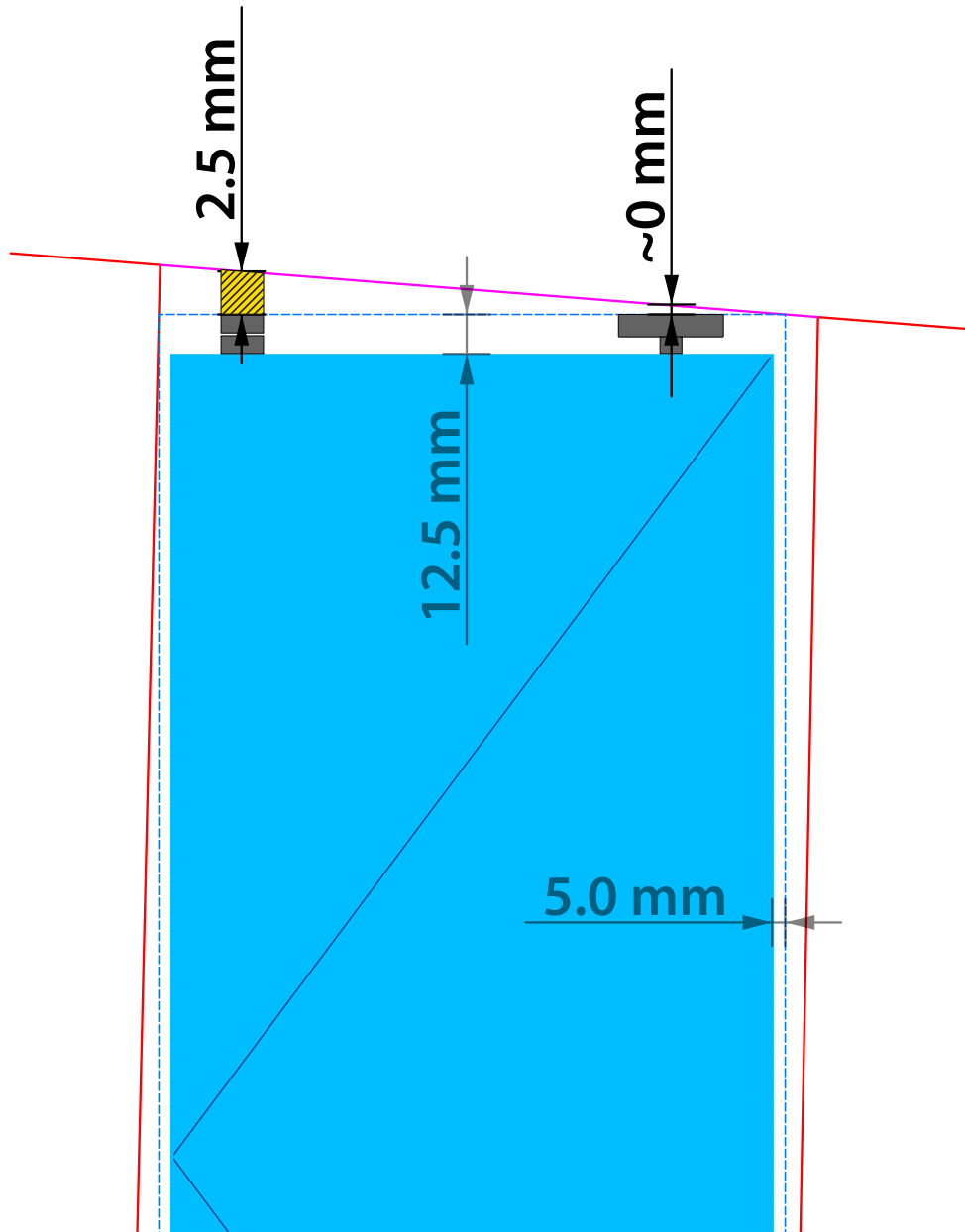
Left hinge setup

For the optional magnets or 1-way parts, you need to keep 12.5 mm of space at the top.

The 2.5 mm gap in this example between top hinge and ceiling can be removed in different ways. See “Door installation manual” for detailed information.



The bottom hinge doesn't need any adjustments in this example situation.

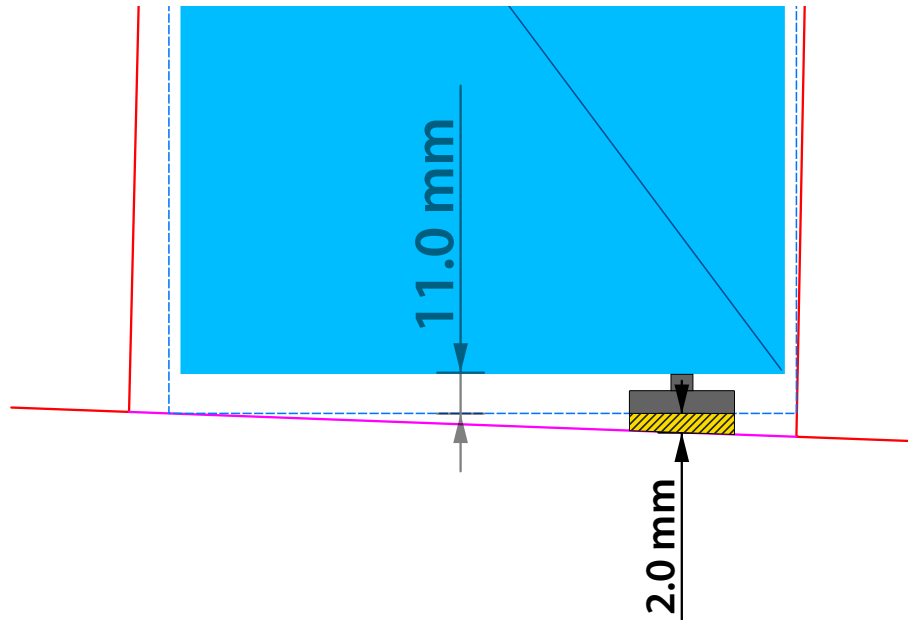


Right hinge setup

In this example situation, the top hinge doesn't need any adjustments.

However, the optional 1-way part will need spacers.

See "Door installation manual" for detailed information.



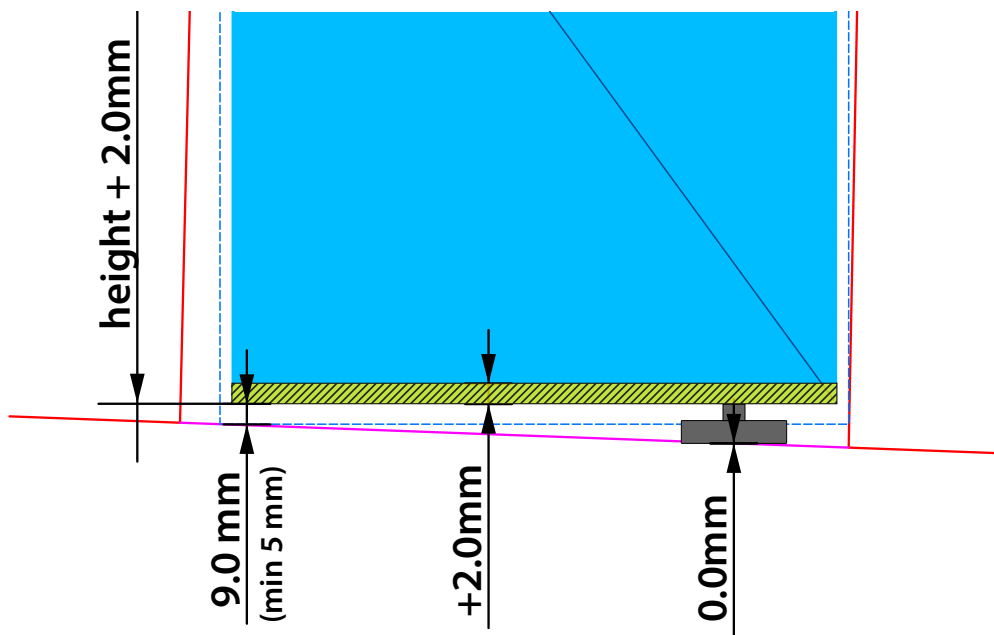
Right hinge setup

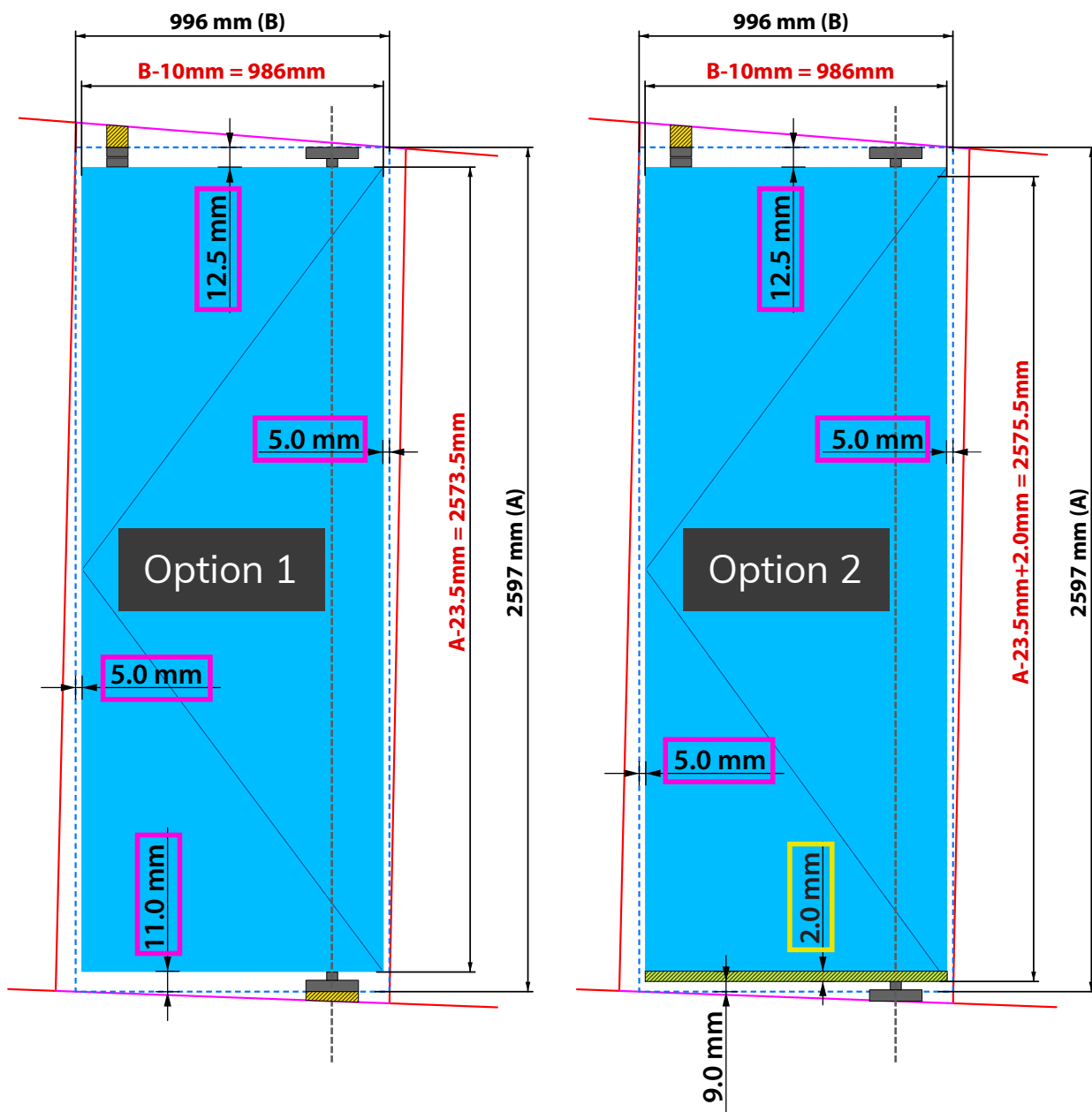
There are 2 options to clear the 2.0 mm gap between the bottom hinge and the floor.

Option 1:
Adjust the hinge position relative to the door, or add shims under the hinge (see “Door installation manual” for detailed information).

Option 2:
Add 2.0 mm to the door leaf in height.

This leaves 9.0mm clearance at the other end.
(Make sure to always keep at least 5.0 mm clearance between door leaf and floor)





Right hinge setup

Subtract the **advised joint dimensions*** from the maximum rectangle (AxB).

Option 1:

$$\text{Door leaf height} = A - (11 + 12,5)$$

$$\text{Door leaf width} = B - (5^* + 5^*)$$

So in this example:

$$\text{Door leaf height} = 2597 - 23,5 = 2573,5 \text{ mm}$$

$$\text{Door leaf width} = 996 - 10 = 986 \text{ mm}$$

Option 2:

$$\text{Door leaf height} = A - (11 + 12,5) + 2$$

$$\text{Door leaf width} = B - (5^* + 5^*)$$

So in this example:

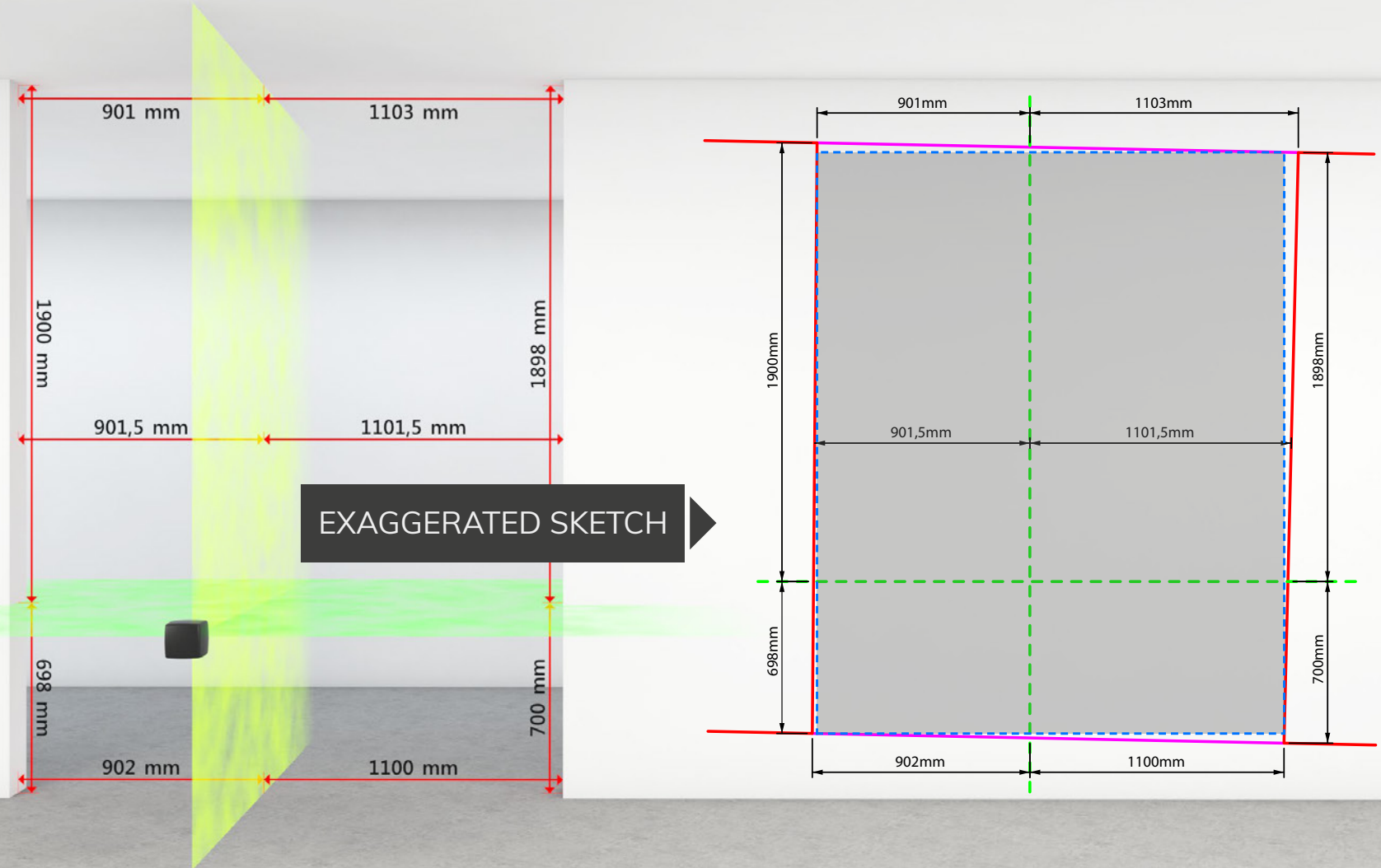
$$\text{Door leaf height} = 2597 - 23,5 + 2 = 2575,5 \text{ mm}$$

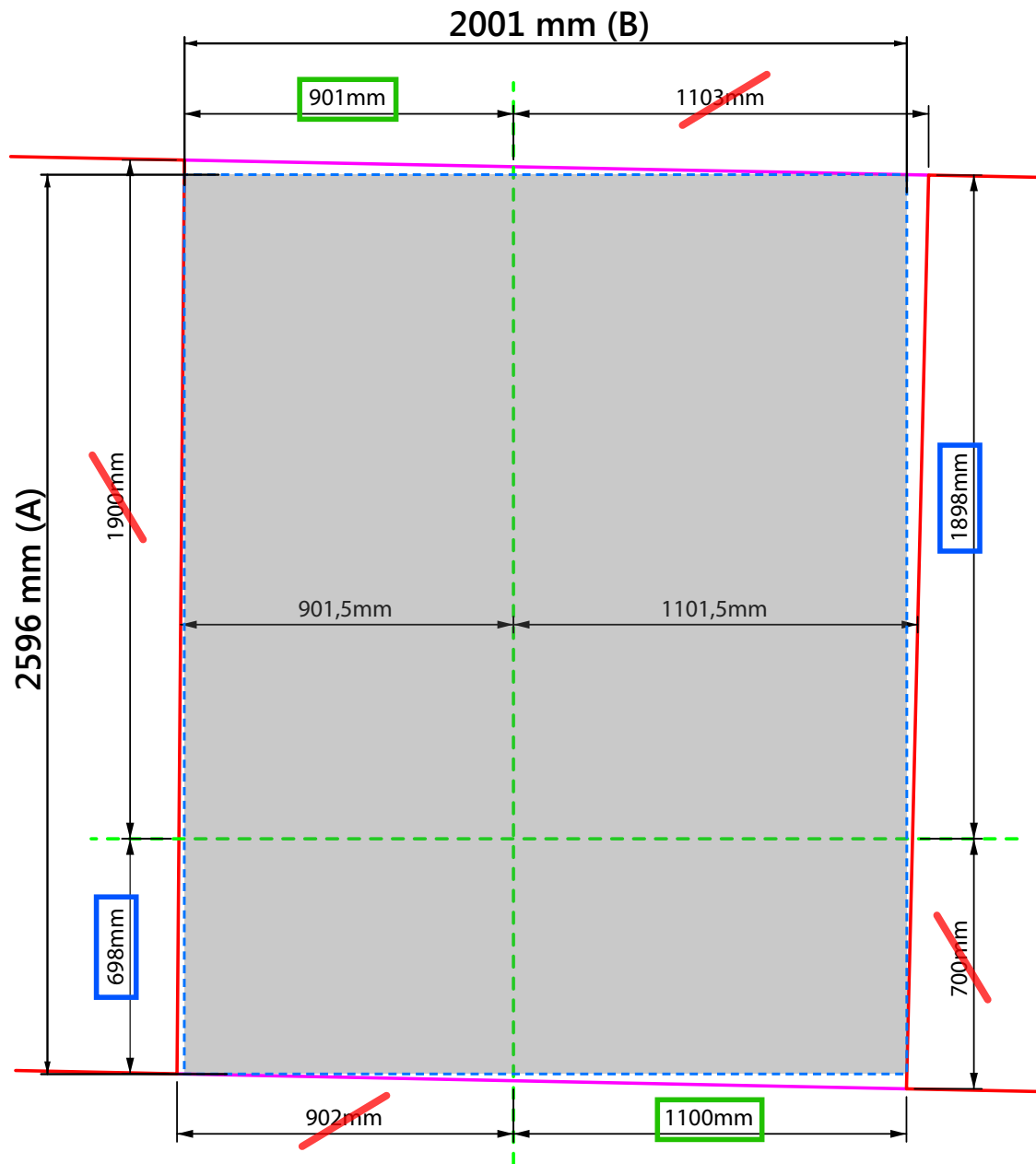
$$\text{Door leaf width} = 996 - 10 = 986 \text{ mm}$$

*See page 2 for detailed information

Calculate single door leaf size

Step 1: Measure fully finished doorway with electronic laser





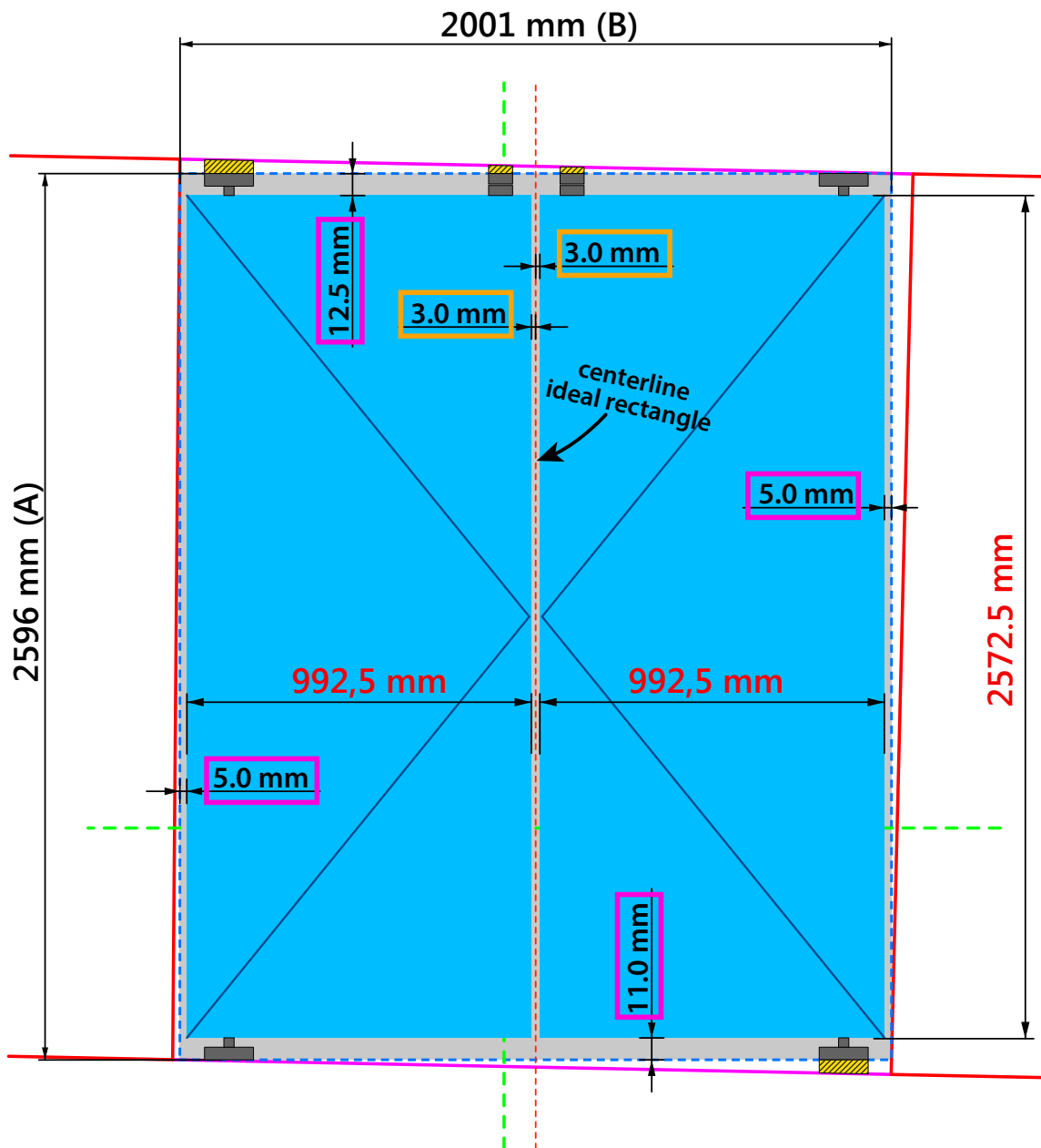
Step 2: Calculate maximum rectangular surface

To calculate the maximum rectangular surface (=grey area), add the smallest dimensions in width and height.

Maximum rectangular surface:

$$\text{Height} = 698 + 1898 = 2596 \text{ mm}$$

$$\text{Width} = 901 + 1100 = 2001 \text{ mm}$$



Step 3: Calculate door leaf size

The maximum rectangular surface will be used to calculate the door leaf size.

Subtract the **advised joint dimensions*** from the maximum rectangle (AxB).

You also need a **6 mm gap** in between both door leaves, so subtract 3mm in width from each leaf.

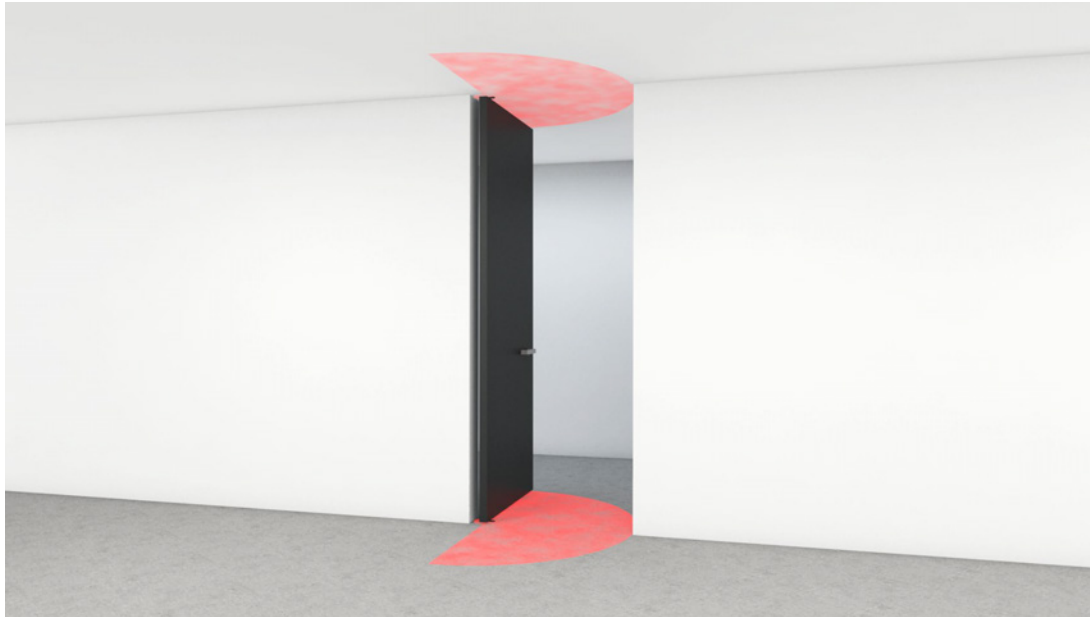
$$\begin{aligned} \text{Door leaf height} &= A - (11 + 12,5) \\ &= 2572,5 \text{ mm} \end{aligned}$$

$$\begin{aligned} \text{Door leaf width} &= (B/2) - 5 - 3 \\ &= 992,5 \text{ mm} \end{aligned}$$

If needed: hinges, optional magnets and 1-way parts need spacers to clear any existing gaps (see “Door installation manual” for detailed information).

You cannot increase the door leaf height instead of using spacers, as this will result in unequal door leaf sizes!

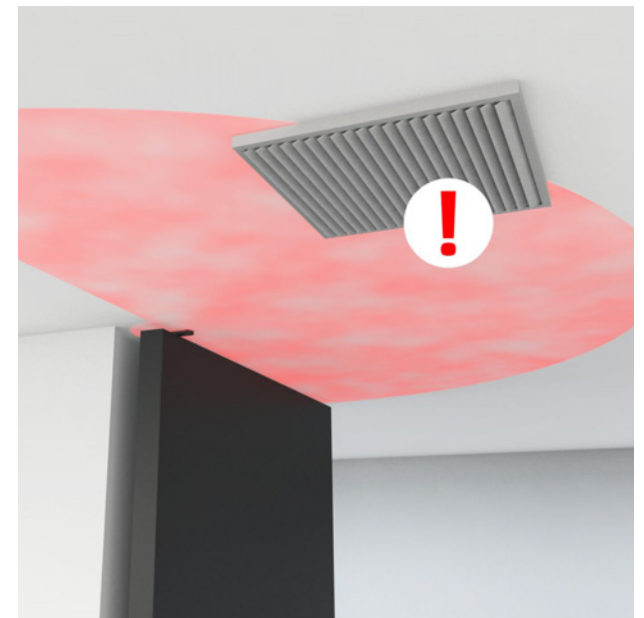
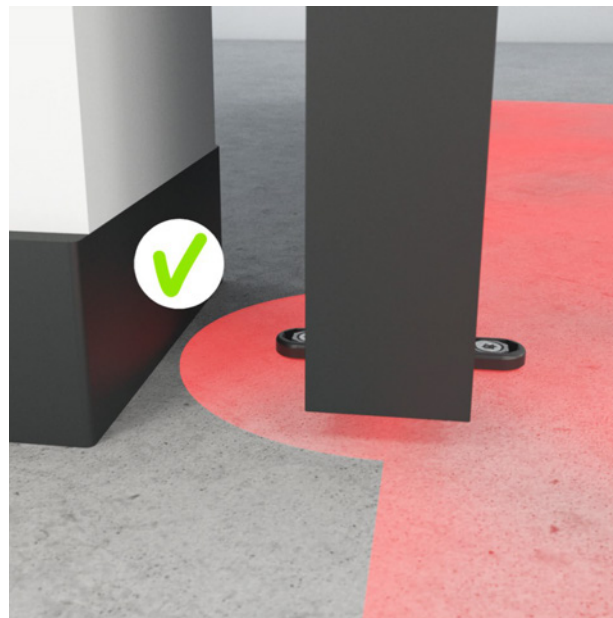
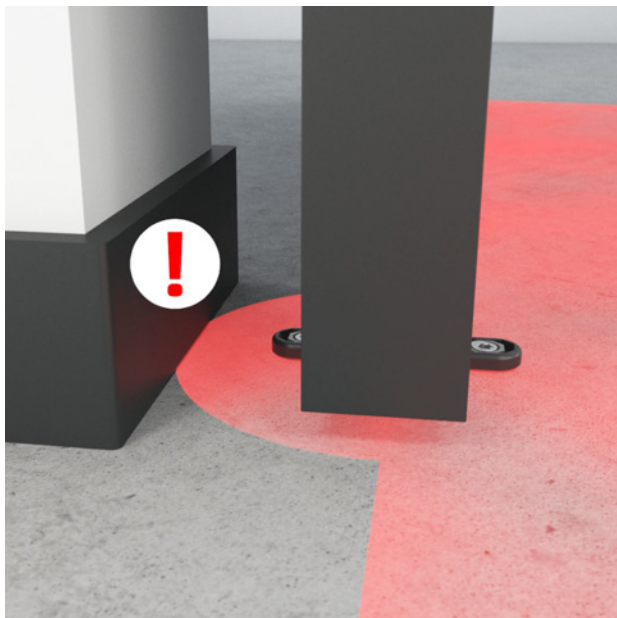
*See page 2 for detailed information



Check obstructions

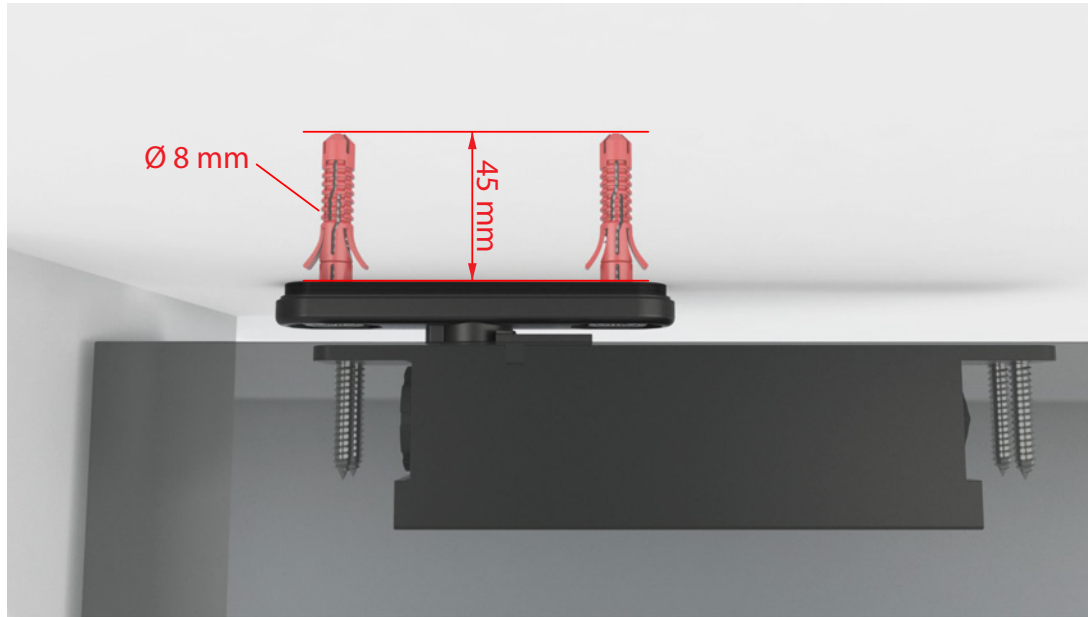
Check available space at various locations between door leaf and floor / ceiling.

Check for other possible obstructions like plinths, lights, vents, airco, ...

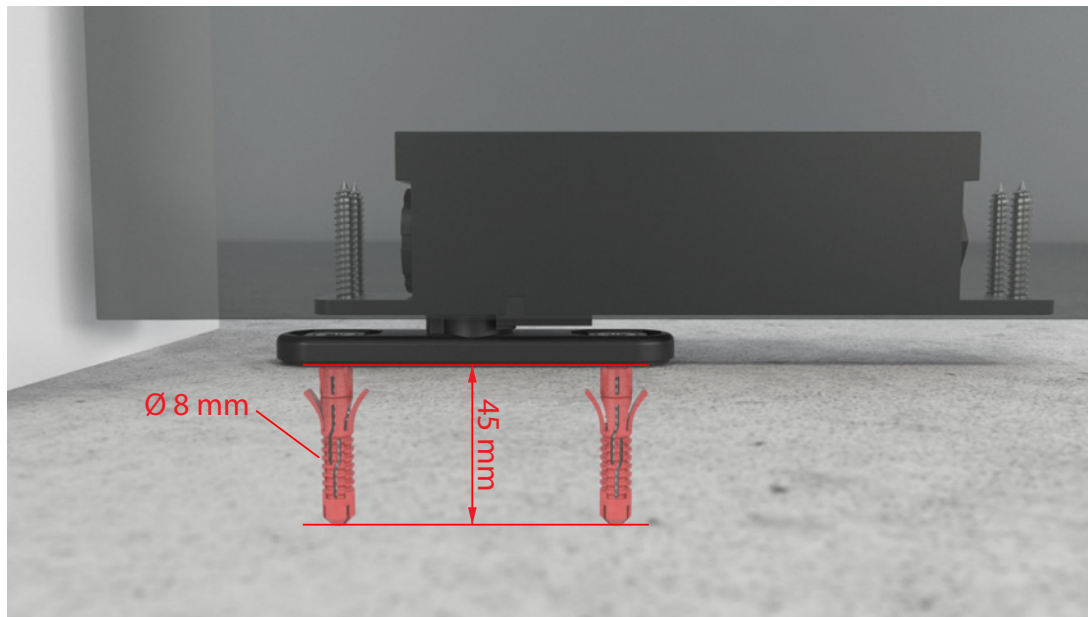


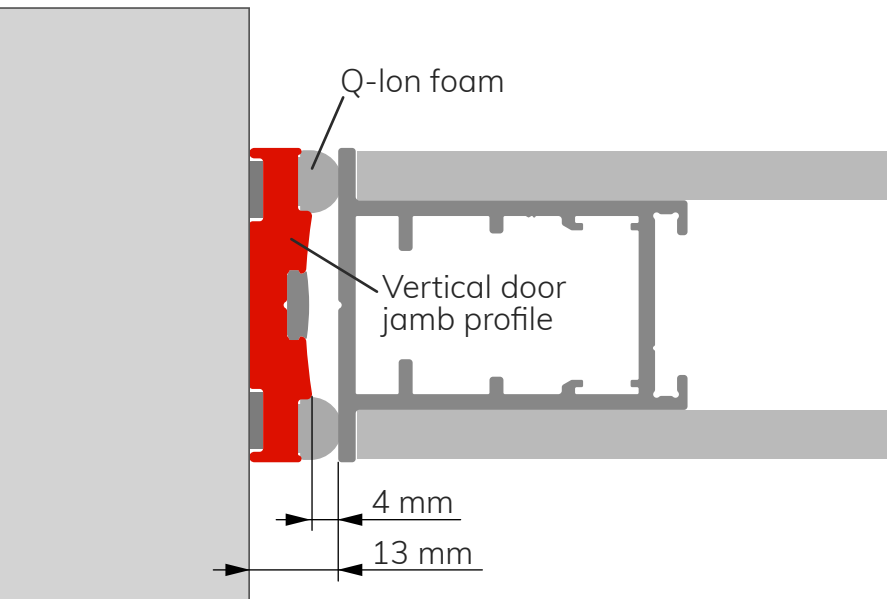
Installation requirements

Solid or reinforced ceiling required!



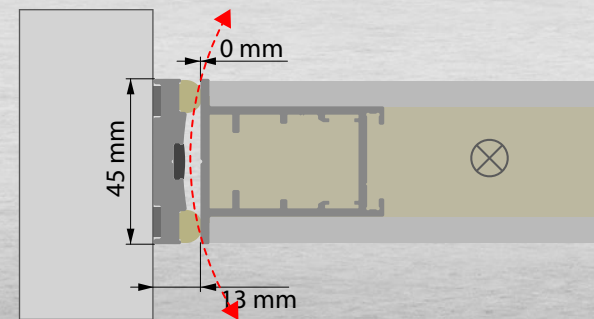
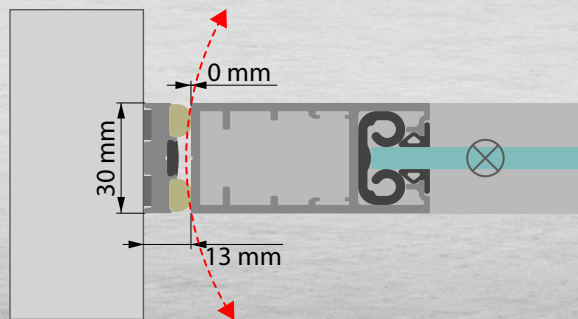
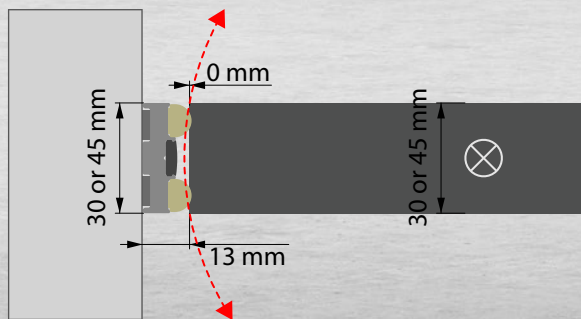
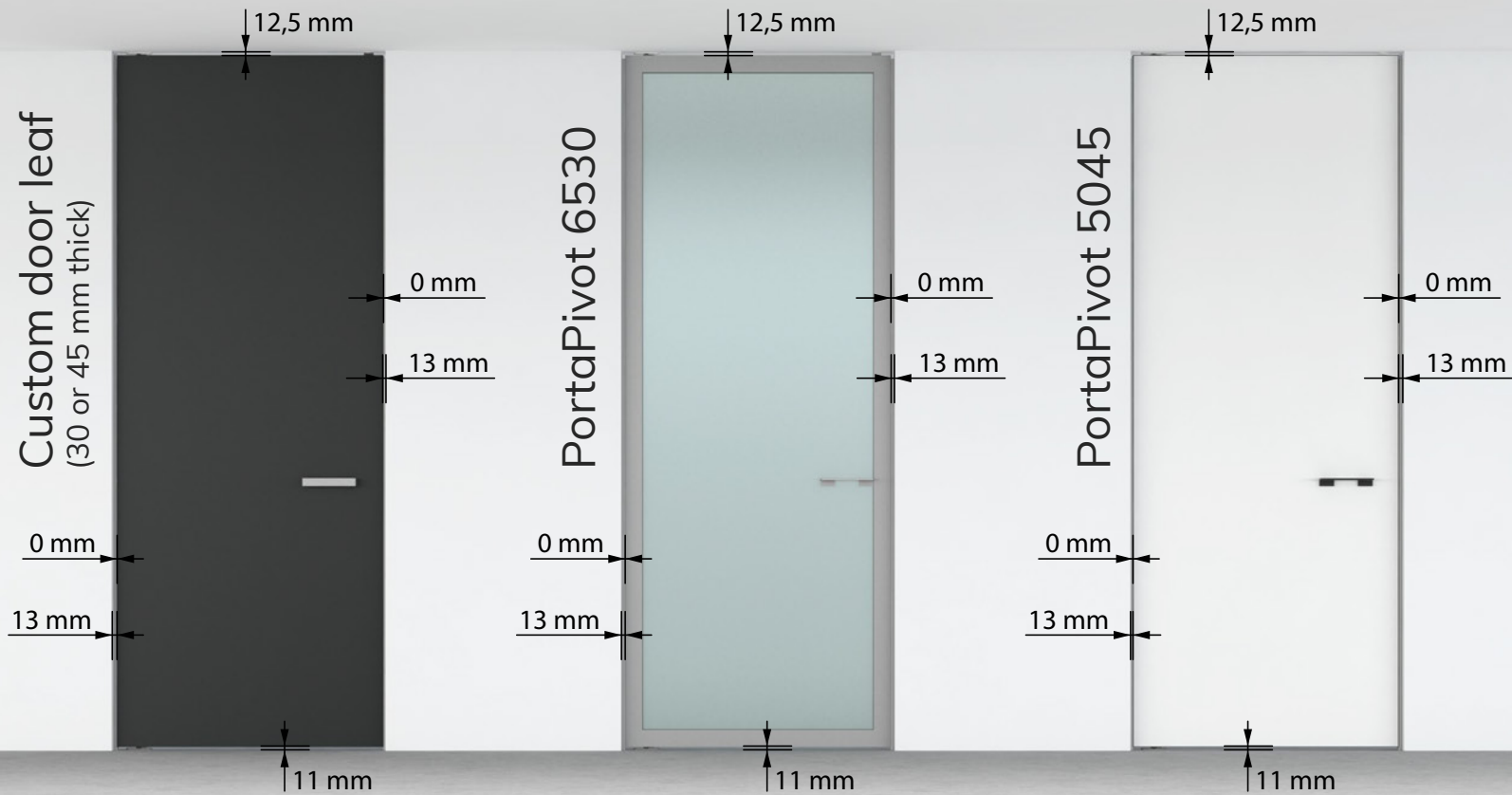
Solid or reinforced floor surface required!
Verify depth for obstructions (heating, tubes, electricity,...)





Measure doorway
and calculate door leaf size
with vertical door jambs

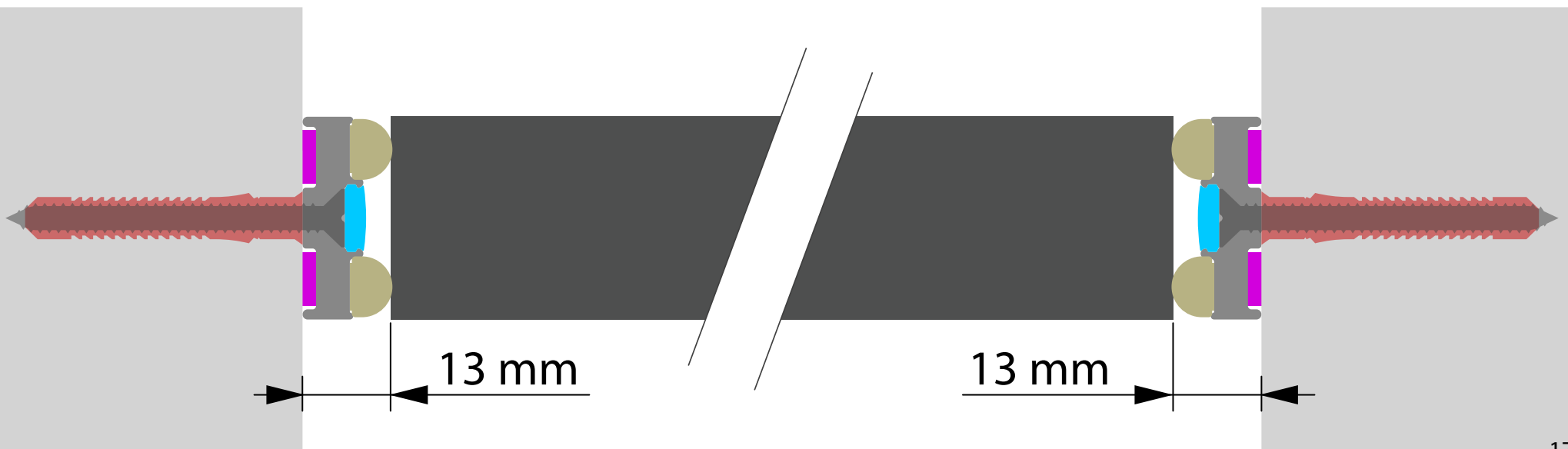
Advised joint dimensions - **with** vertical door jambs



Vertical Door Jambs

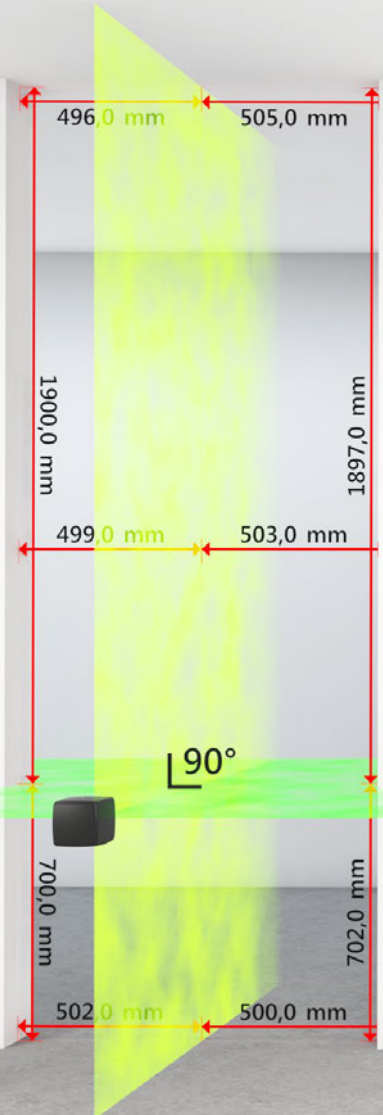
Vertical Door Jambs will standard be supplied with an overlength of 'door leaf height + 30 mm', and can be cut to length on site.

- 1 The vertical door jamb uses 2 compressable Qlon strips to close/minimize vertical joints between the door and doorway (left & right).
- 2 It is mounted to the wall with screws and plugs, and joint adjustments are possible because of the special 'swelling foam' to be attached on the back of the aluminium profiles.
- 3 After installation, screws are hidden behind a rubber profile.

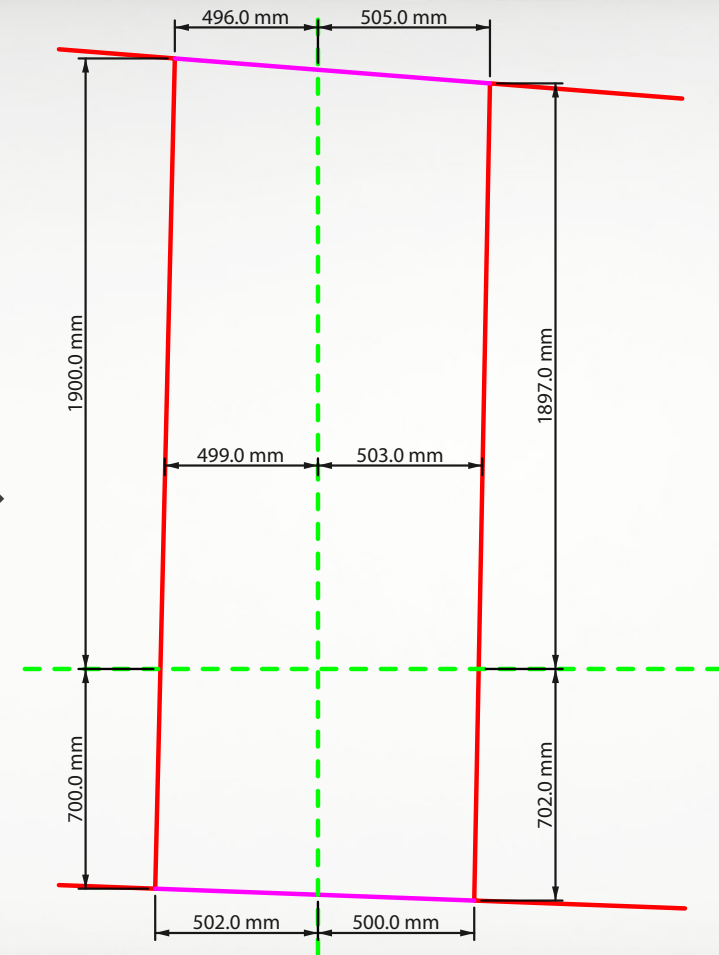


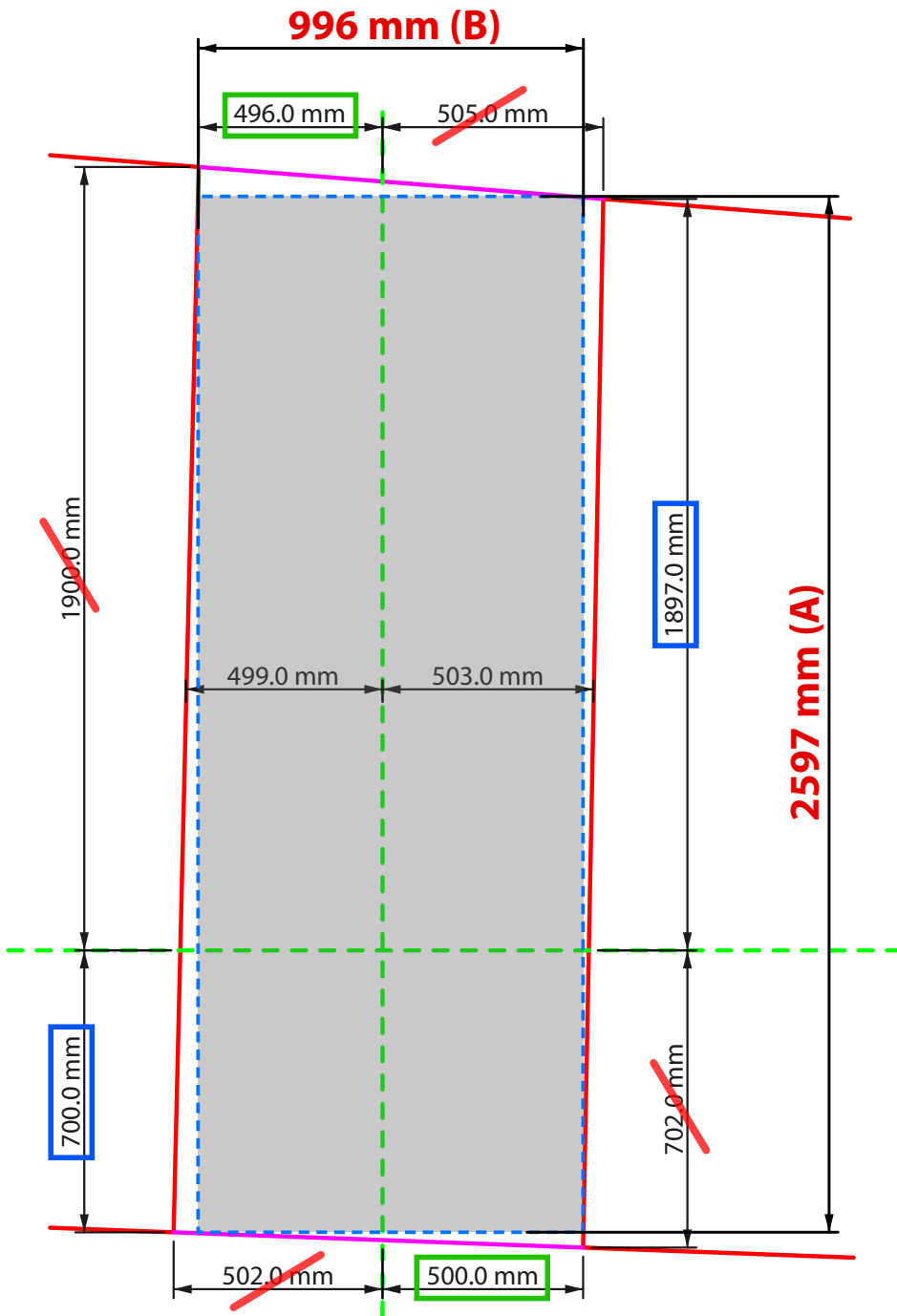
Calculate single door leaf size

Step 1: Measure fully finished doorway with electronic laser



EXAGGERATED SKETCH





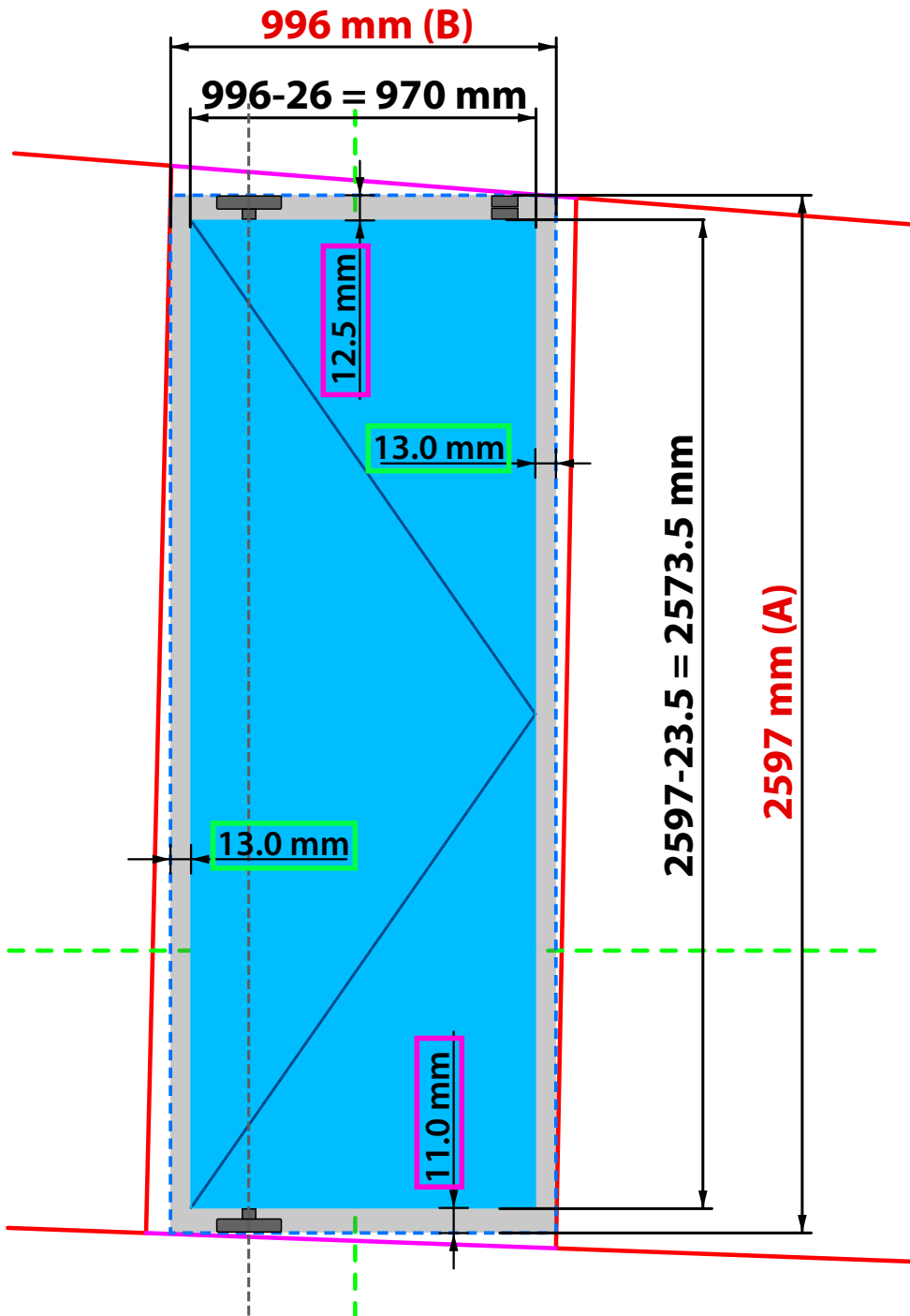
Step 2: Calculate maximum rectangular surface

To calculate the maximum rectangular surface (=grey area), add the smallest dimensions in width and height.

Maximum rectangular surface:

$$\text{Height} = 1897 + 700 = 2597 \text{ mm}$$

$$\text{Width} = 496 + 500 = 996 \text{ mm}$$



Step 3: Calculate door leaf size

The maximum rectangular surface will be used to calculate the door leaf size.

NOTE: the position of the hinge can influence the final door leaf size (see page 22 - right hinge setup)

Left hinge setup

Subtract the **advised joint dimensions** and **door jambs thickness** from the maximum rectangle (AxB).

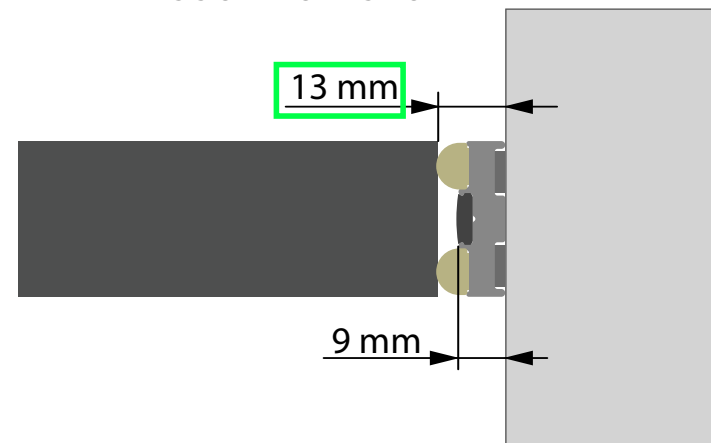
$$\text{Door leaf height} = A - (11 + 12,5)$$

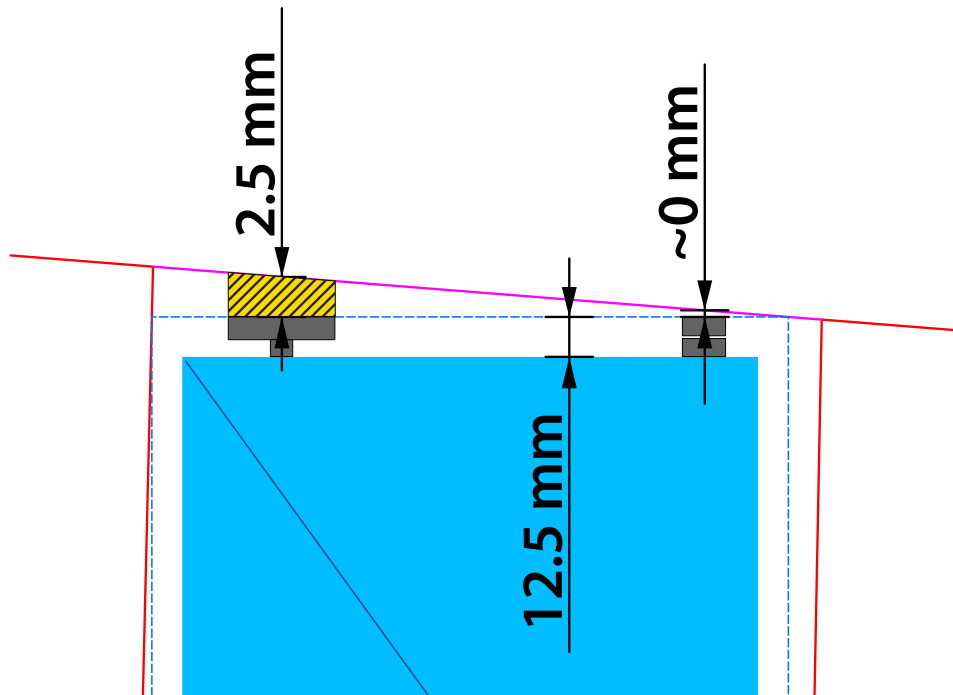
$$\text{Door leaf width} = B - (13 + 13)$$

So in this example:

$$\text{Door leaf height} = 2597 - 23,5 = 2573,5 \text{ mm}$$

$$\text{Door leaf width} = 996 - 26 = 970 \text{ mm}$$

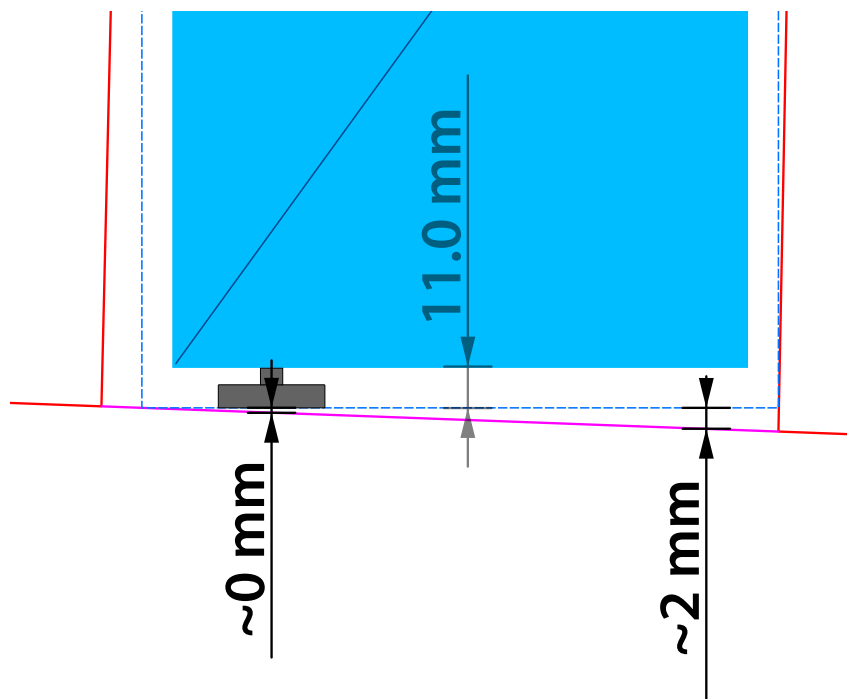




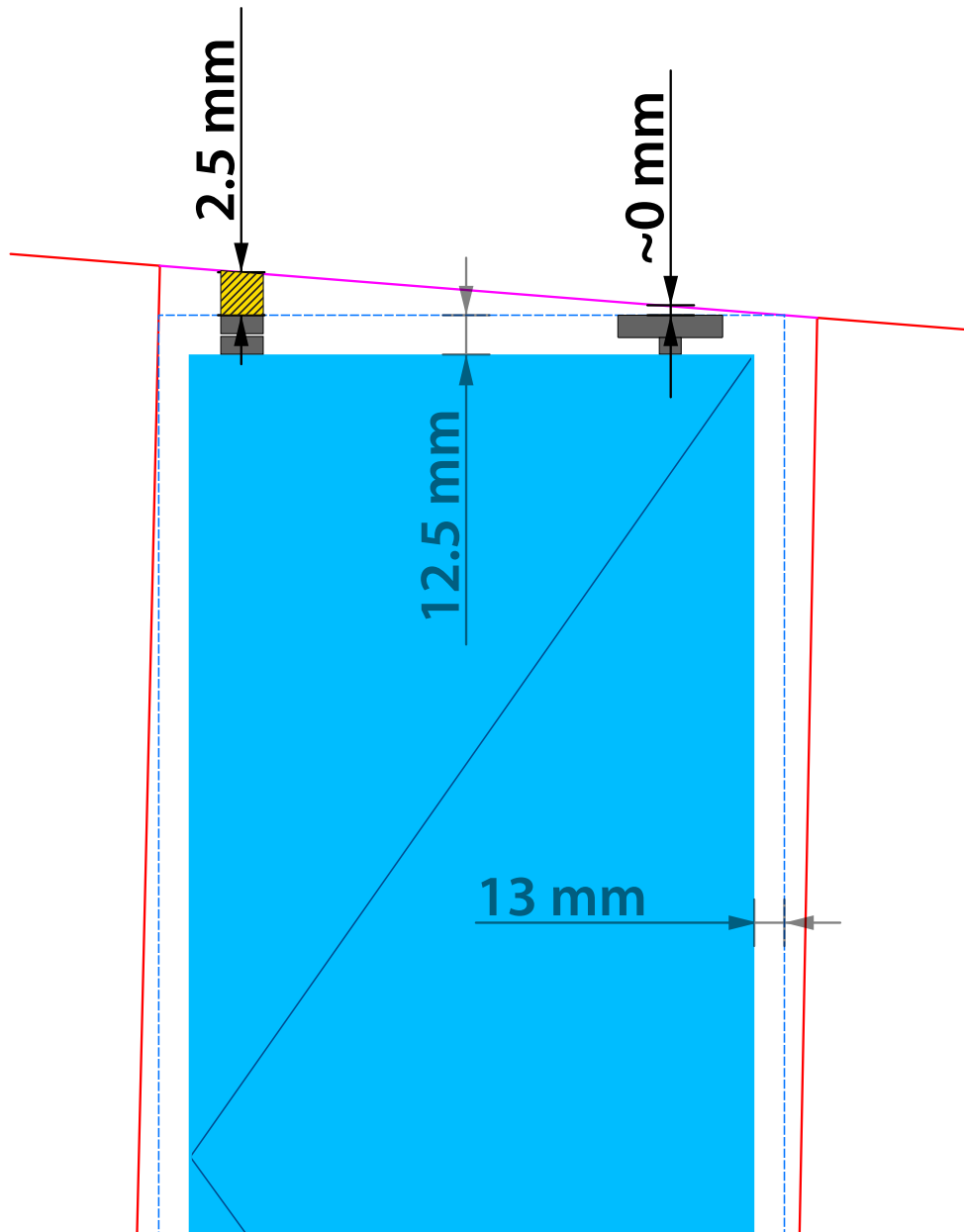
Left hinge setup

For the optional magnets or 1-way parts, you need to keep 12.5mm of space at the top.

The 2.5mm gap between top hinge and ceiling can be removed in different ways. See door installation manual for more info.



The bottom hinge doesn't need any adjustments in this situation.

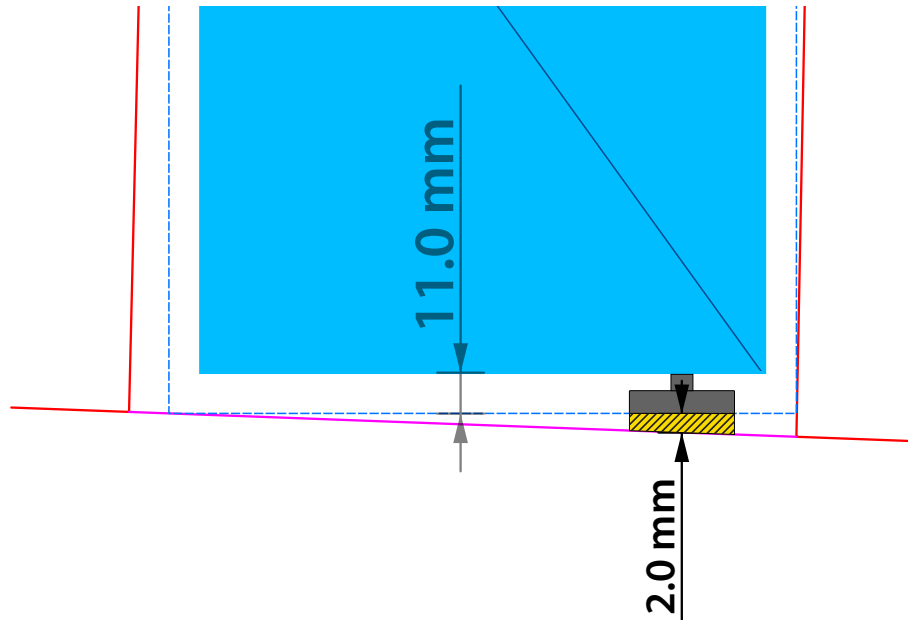


Right hinge setup

In this example situation, the top hinge doesn't need any adjustments.

However, the optional 1-way part will need spacers.

See door installation manual for more information.



Right hinge setup

There are 2 options to clear the 2.0 mm gap between the bottom hinge and the floor.

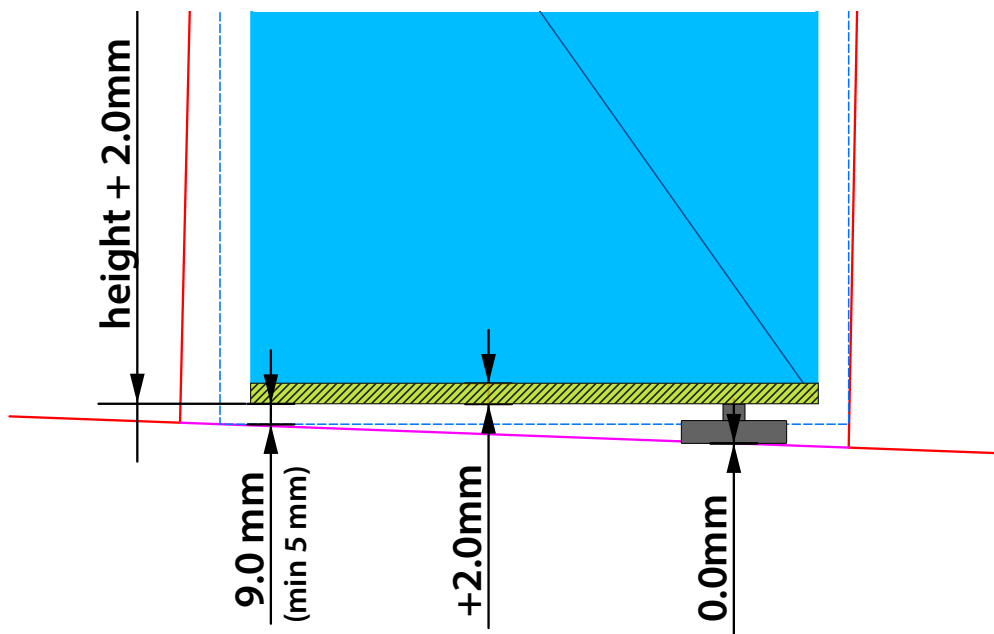
Option 1:

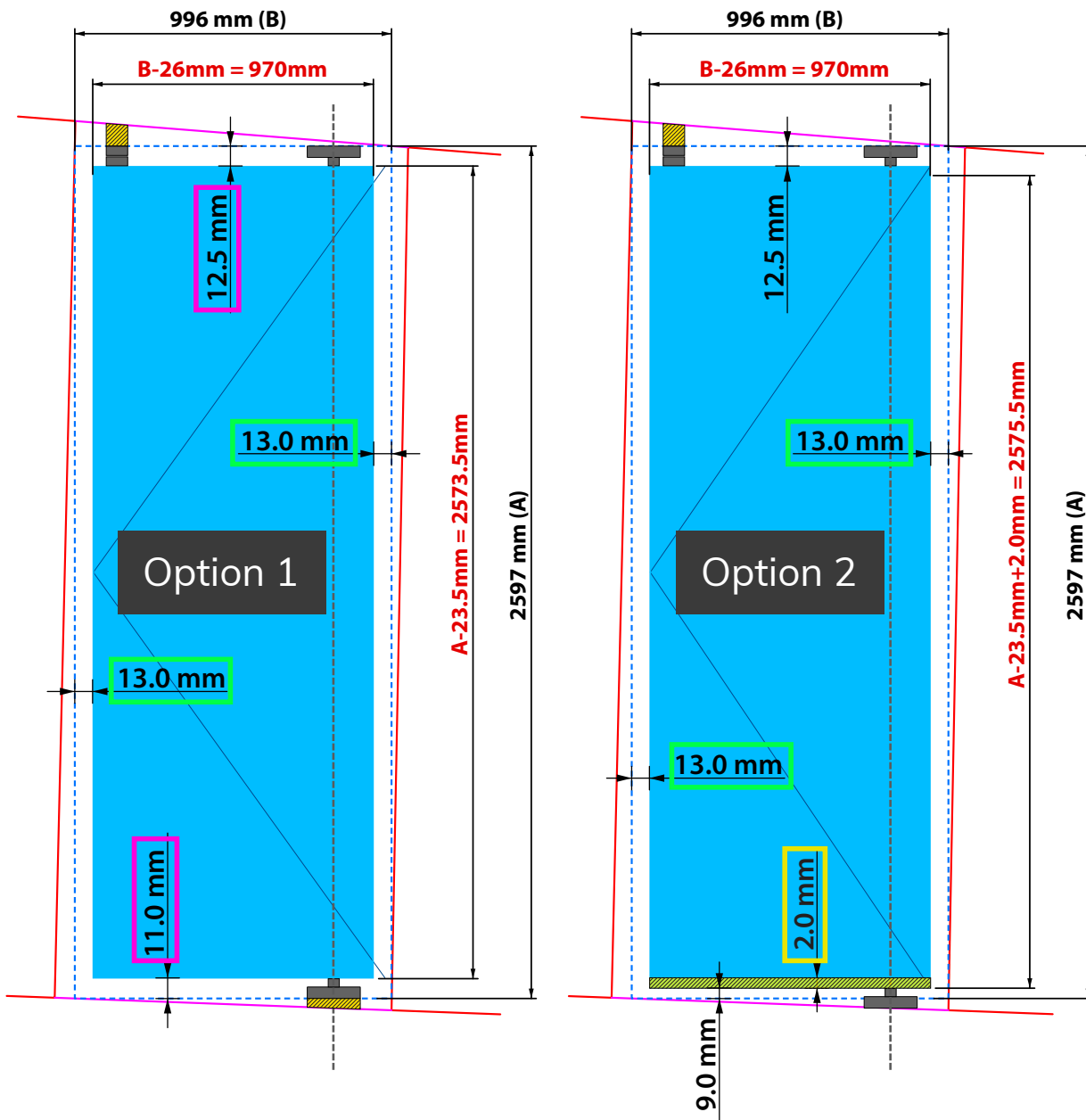
Adjust the hinge position relative to the door or add shims under the hinge (see door installation manual).

Option 2:

Add 2.0 mm to the door leaf in height.

This leaves 9.0mm clearance at the other end. (Make sure to always keep at least 5.0 mm clearance between door leaf and floor)





Right hinge setup

Subtract the advised minimum joint dimensions from the maximum rectangle (AxB).

Option 1:

$$\text{Door leaf height} = A - (11 + 12,5)$$

$$\text{Door leaf width} = B - (13 + 13)$$

So in this example:

$$\text{Door leaf height} = 2597 - 23,5 = 2573,5 \text{ mm}$$

$$\text{Door leaf width} = 996 - 26 = 970 \text{ mm}$$

Option 2:

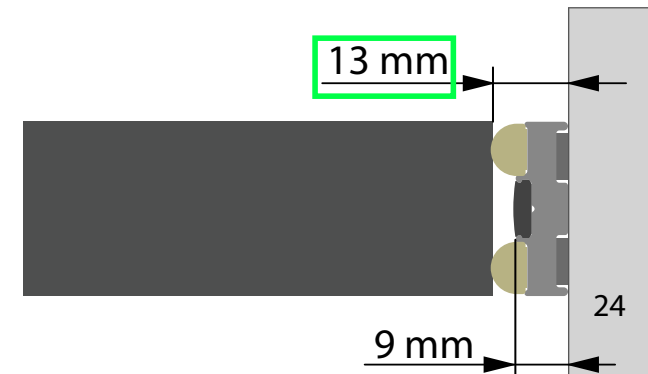
$$\text{Door leaf height} = A - (11 + 12,5) + 2$$

$$\text{Door leaf width} = B - (13 + 13)$$

So in this example:

$$\text{Door leaf height} = 2597 - 23,5 + 2 = 2575,5 \text{ mm}$$

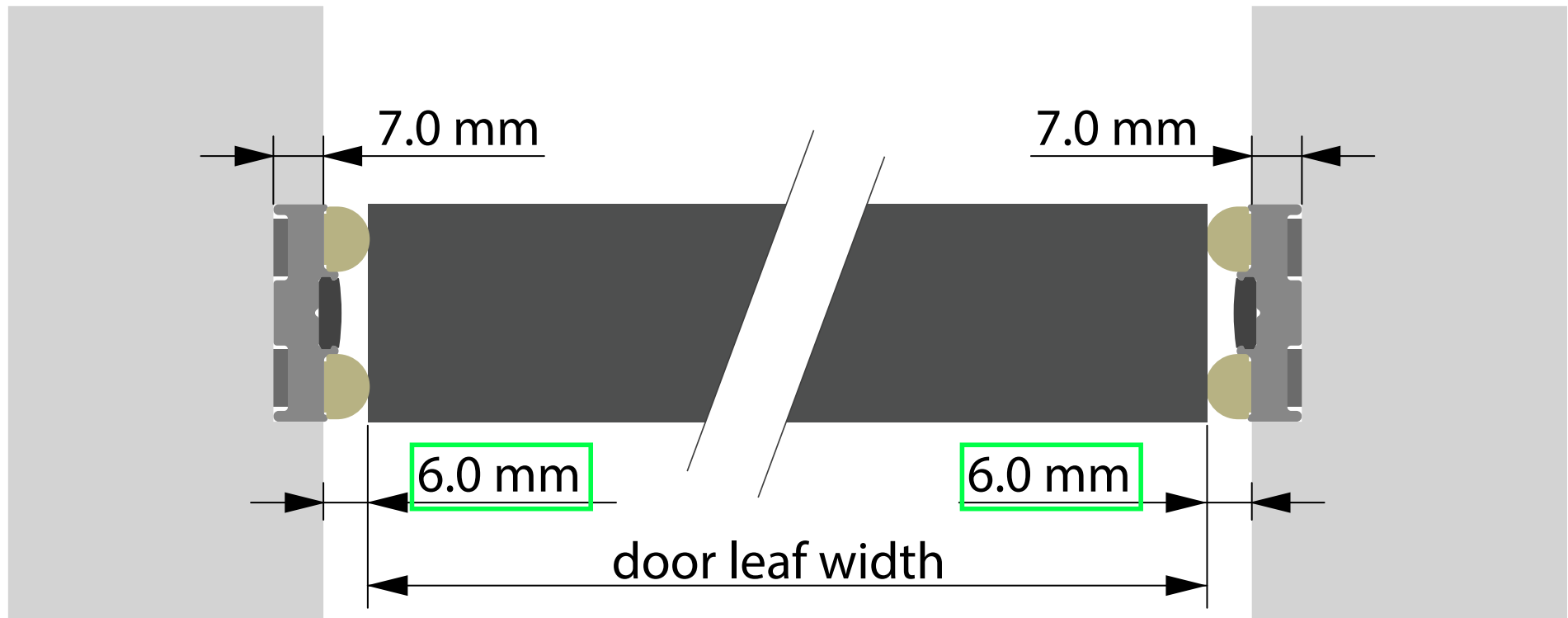
$$\text{Door leaf width} = 996 - 26 = 970 \text{ mm}$$



Recessed vertical door jamb

It is possible to recess the profile in the wall by 7 mm. So when calculating the door leaf width, you need to subtract only 2x6 mm from the maximum rectangle width.

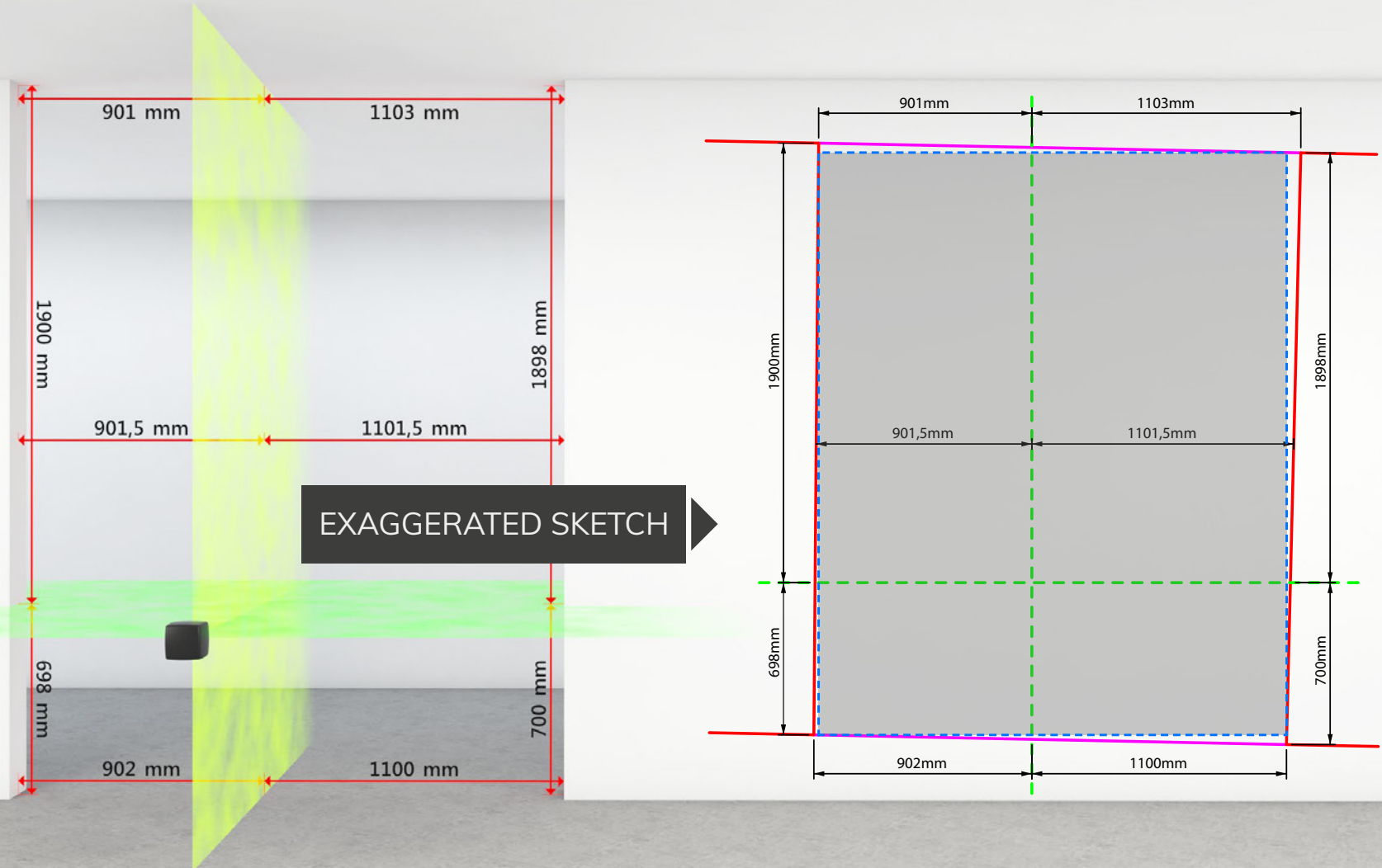
$$\text{Door leaf width} = B - (6 + 6)$$

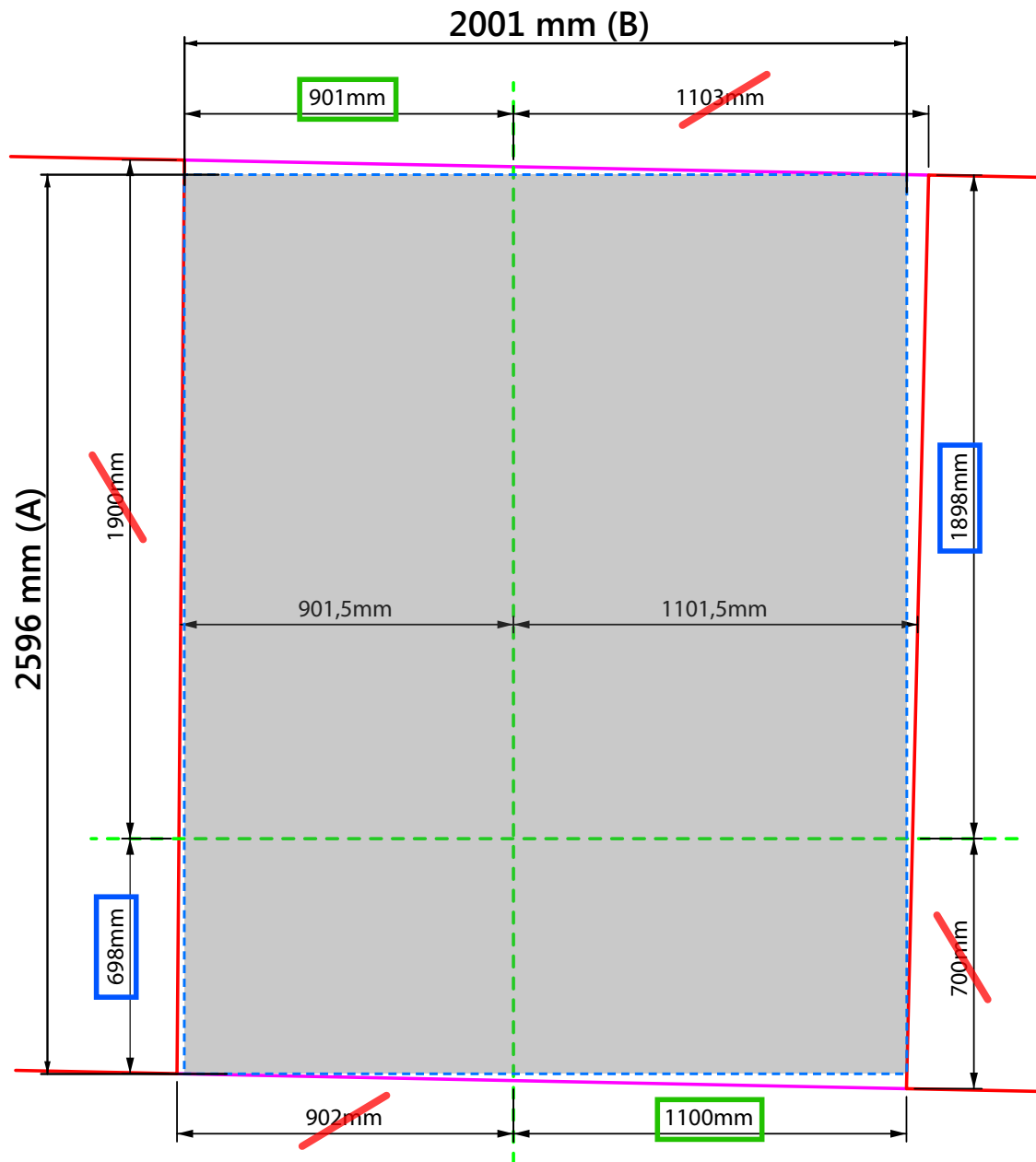


Vertical door jambs will standard be supplied with an overlength of 'door leaf height + 30 mm', and can be cut to length on site.

Calculate single door leaf size

Step 1: Measure fully finished doorway with electronic laser





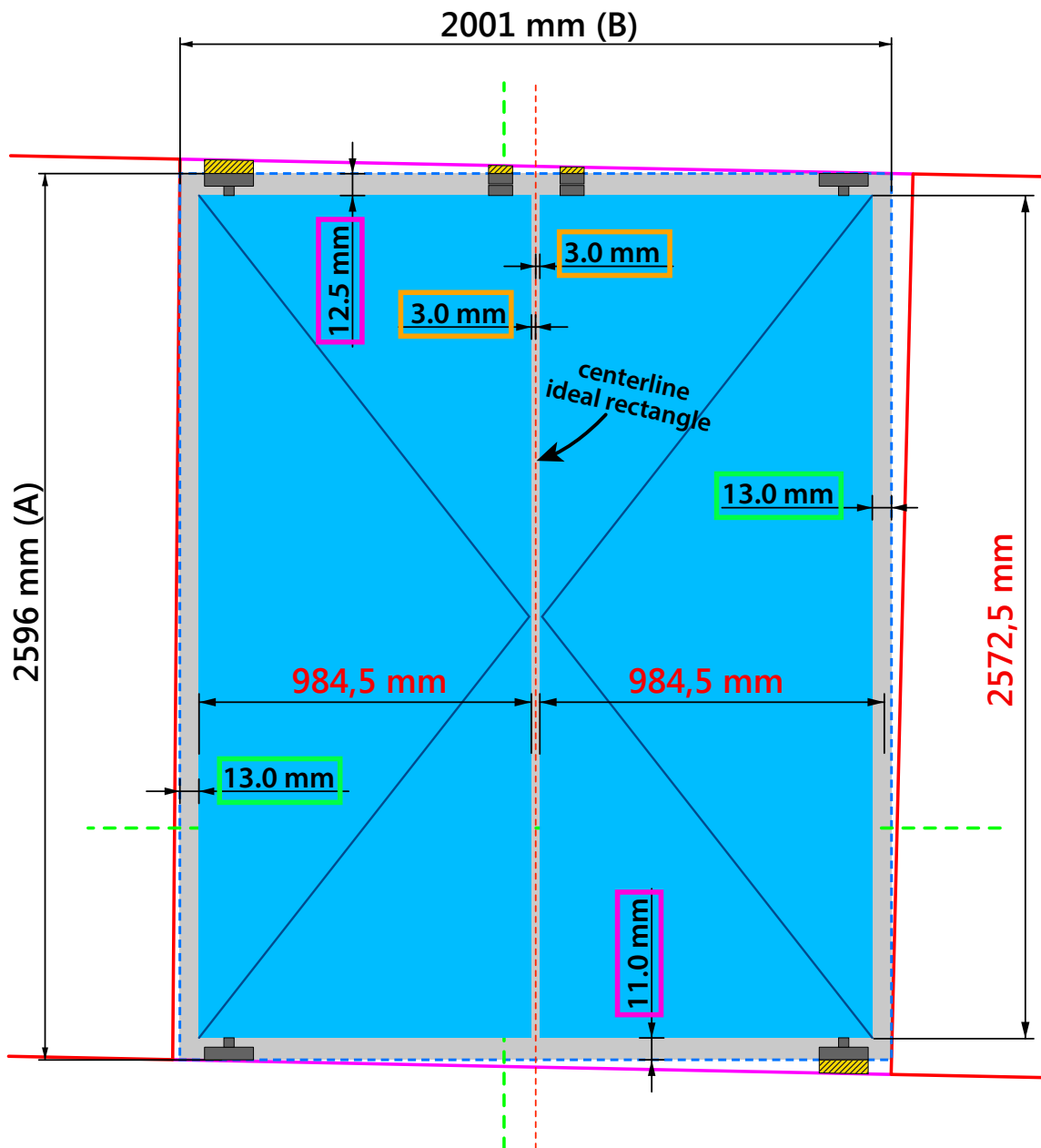
Step 2: Calculate maximum rectangular surface

To calculate the maximum rectangular surface (=grey area), add the smallest dimensions in width and height.

Maximum rectangular surface:

$$\text{Height} = 698 + 1898 = 2596 \text{ mm}$$

$$\text{Width} = 901 + 1100 = 2001 \text{ mm}$$



Step 3: Calculate door leaf size

The maximum rectangular surface will be used to calculate the door leaf size.

Subtract the **advised joint dimensions*** from the maximum rectangle (AxB).

You also need a **6 mm gap** in between both door leaves, so subtract 3mm in width from each leaf.

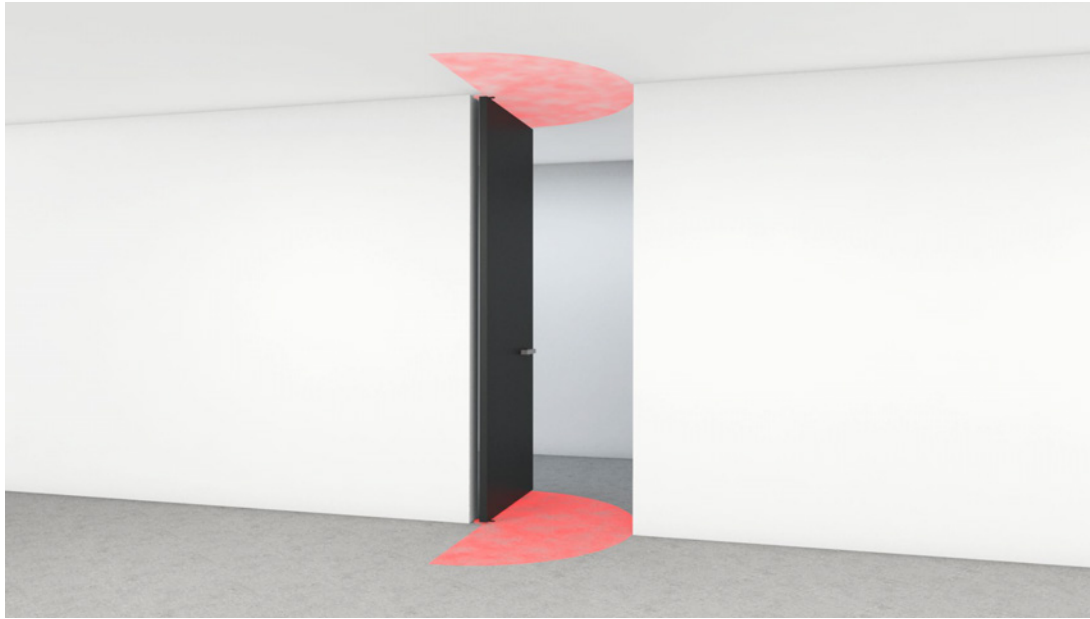
$$\begin{aligned} \text{Door leaf height} &= A - (11 + 12,5) \\ &= 2572,5 \text{ mm} \end{aligned}$$

$$\begin{aligned} \text{Door leaf width} &= (B/2) - 13 - 3 \\ &= 984,5 \text{ mm} \end{aligned}$$

If needed: hinges, optional magnets and 1-way parts need spacers to clear any existing gaps (see "Door installation manual").

You cannot increase the door leaf height instead of using spacers, as this will result in unequal door leaf sizes!

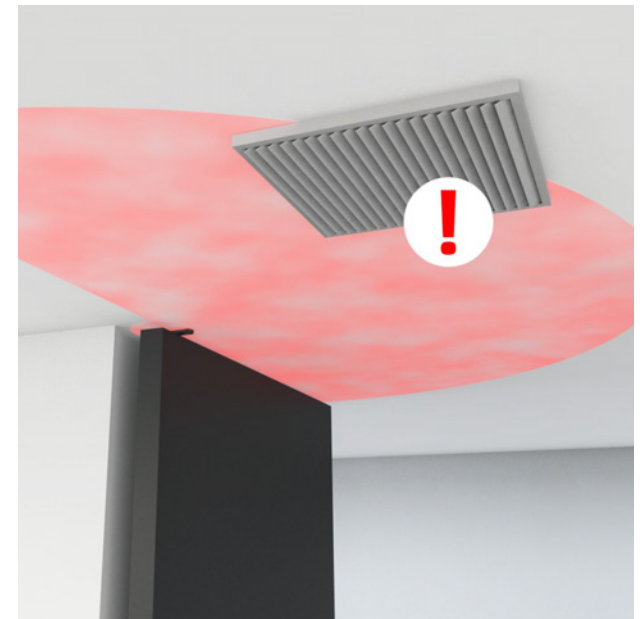
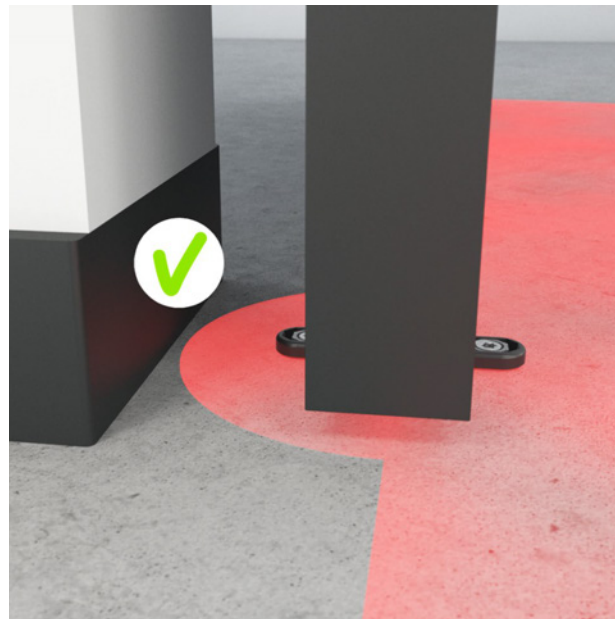
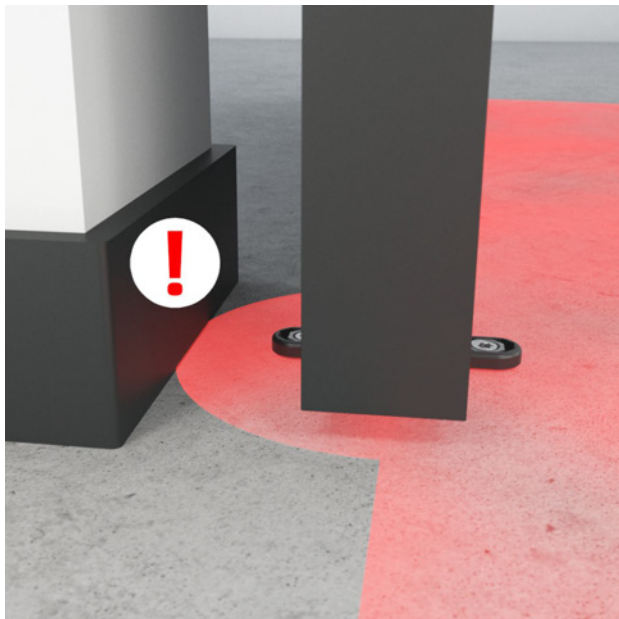
*See page 16 for detailed information



Check obstructions

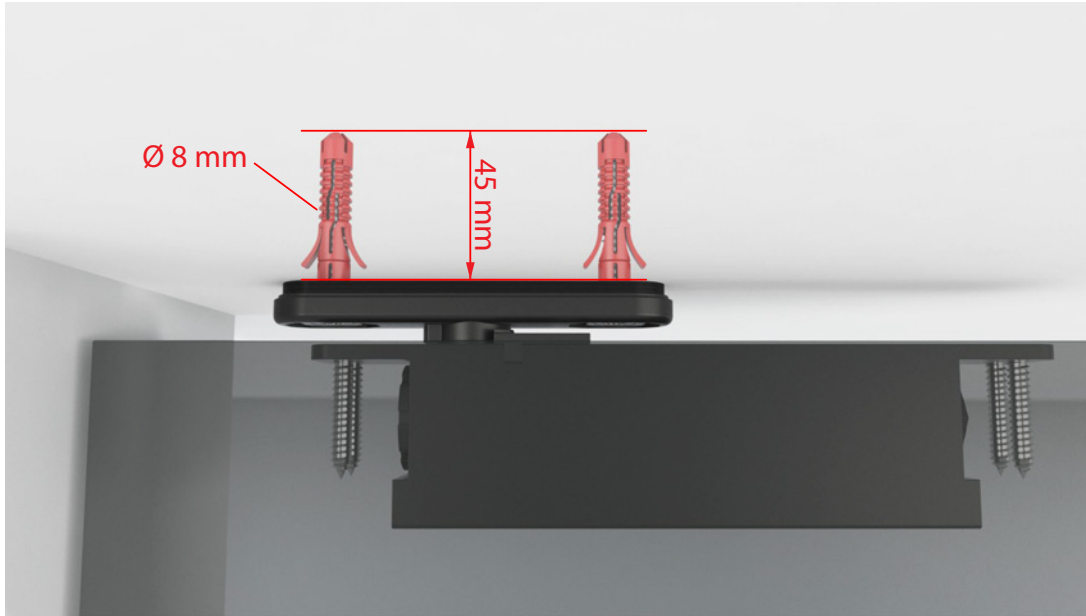
Check available space at various locations between door leaf and floor / ceiling.

Check for other possible obstructions like plinths, lights, vents, airco, ...



Installation requirements

Solid or reinforced ceiling required!



Solid or reinforced floor surface required!
Verify depth for obstructions (heating, tubes, electricity,...)

