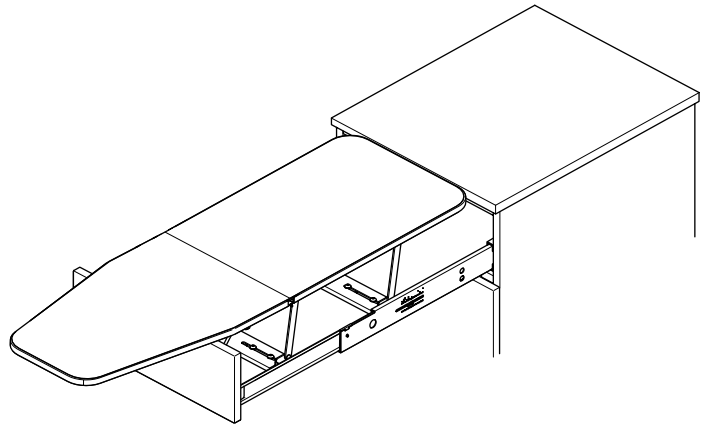




COMPONENTS

Monteringsanvisning Assembly Instructions Asennusohjeet Montageanleitung Monteringsvejledning

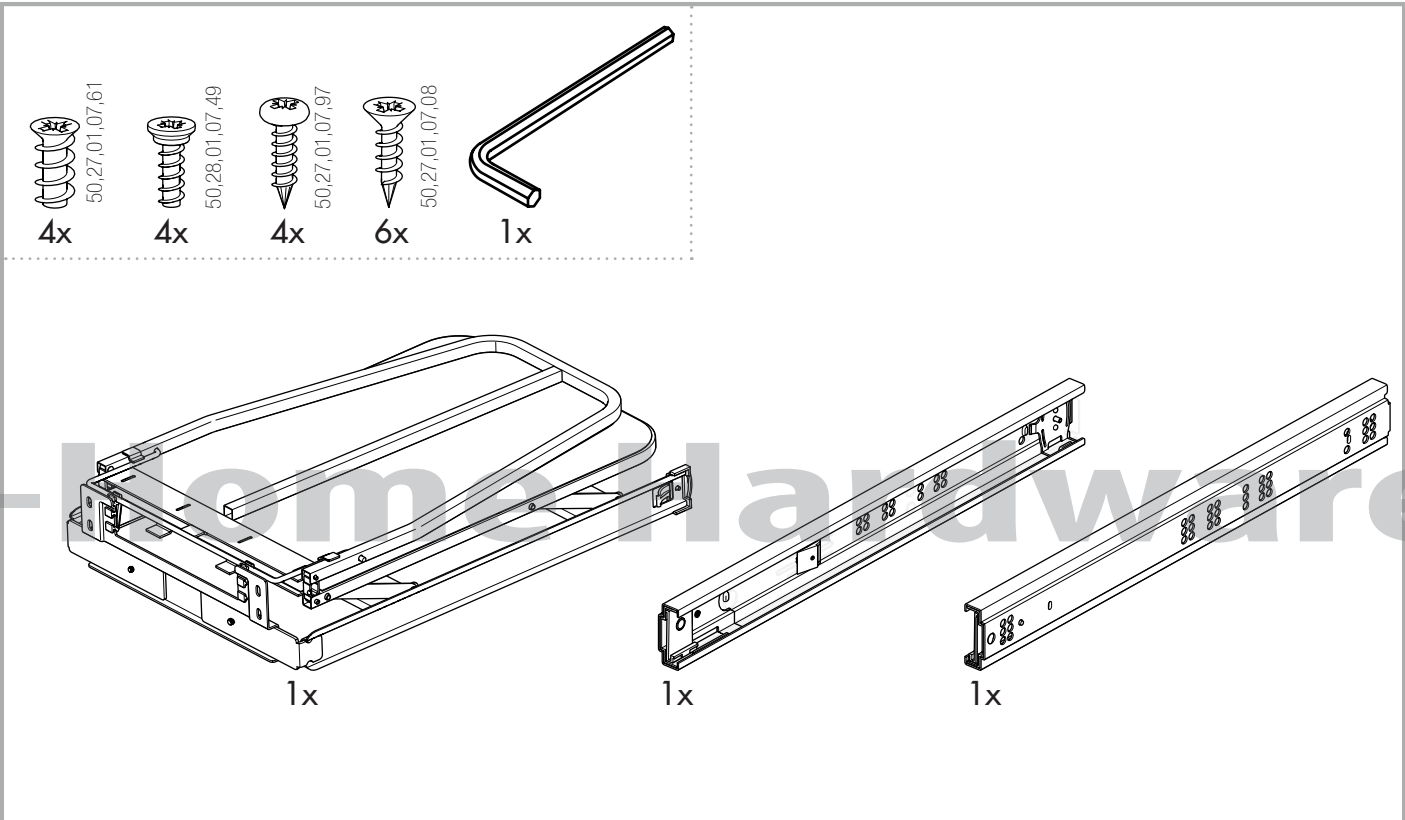
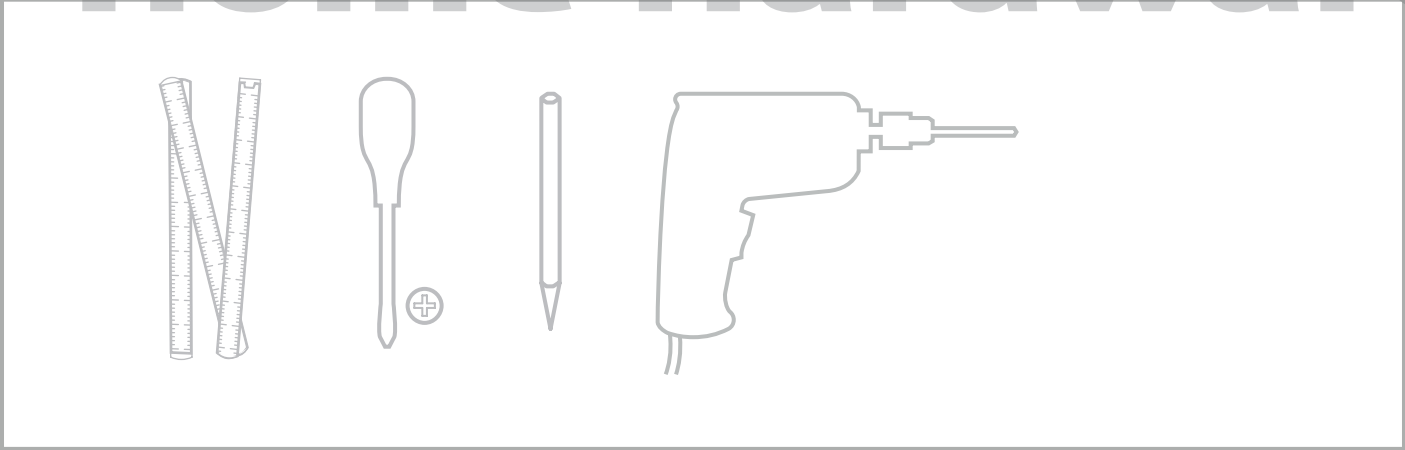
We Cherish

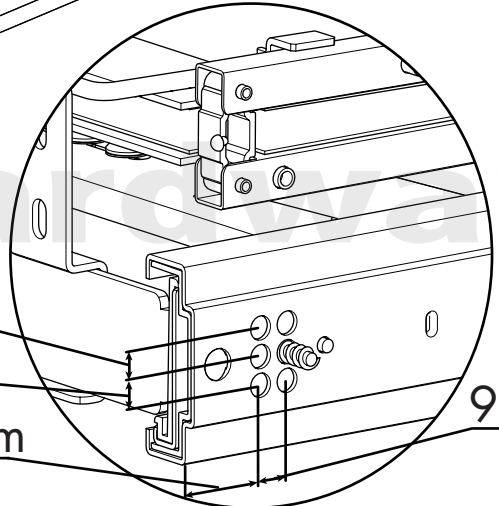
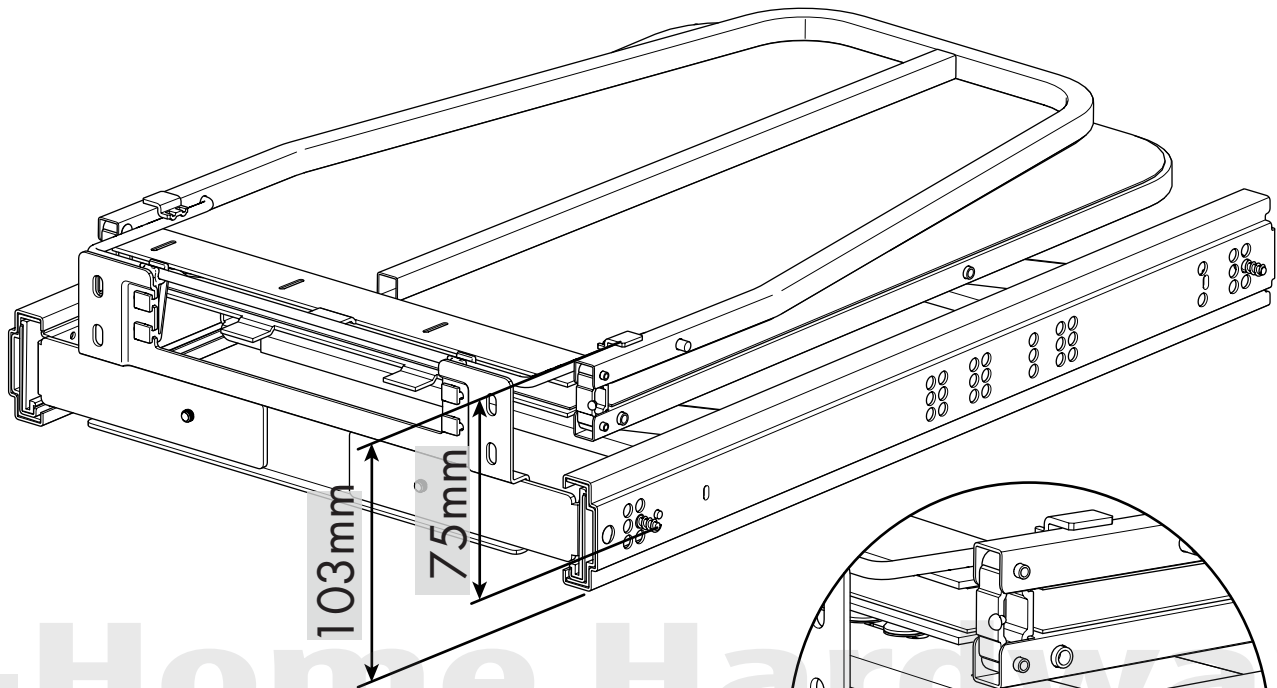
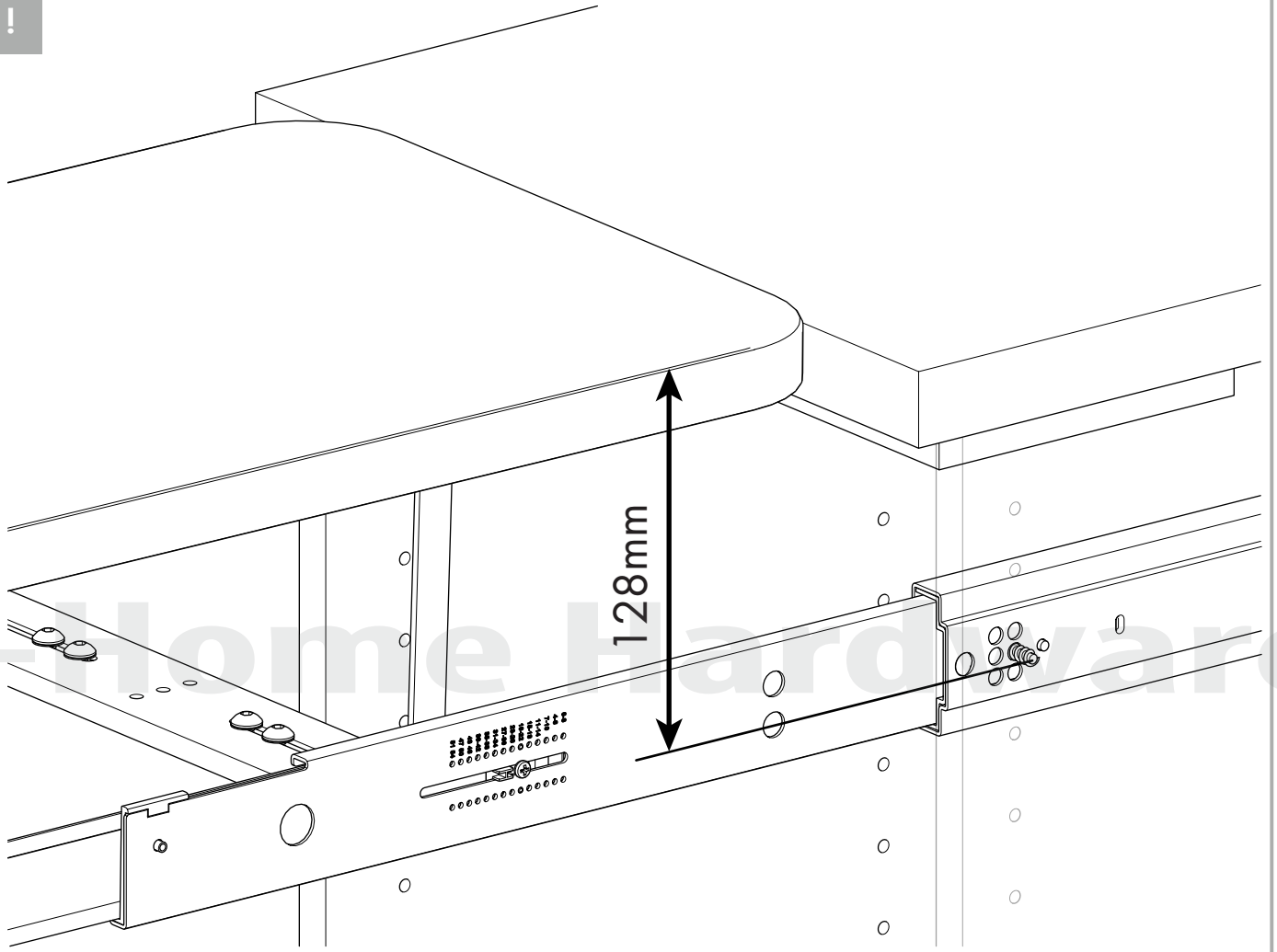


Pull-out Ironing Board

5200

J-Home Hardware





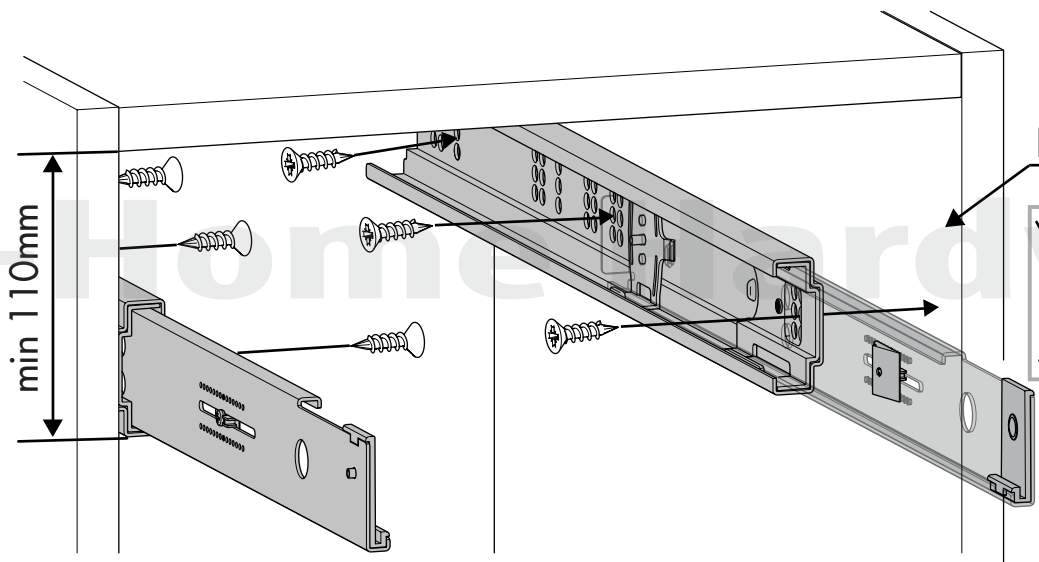
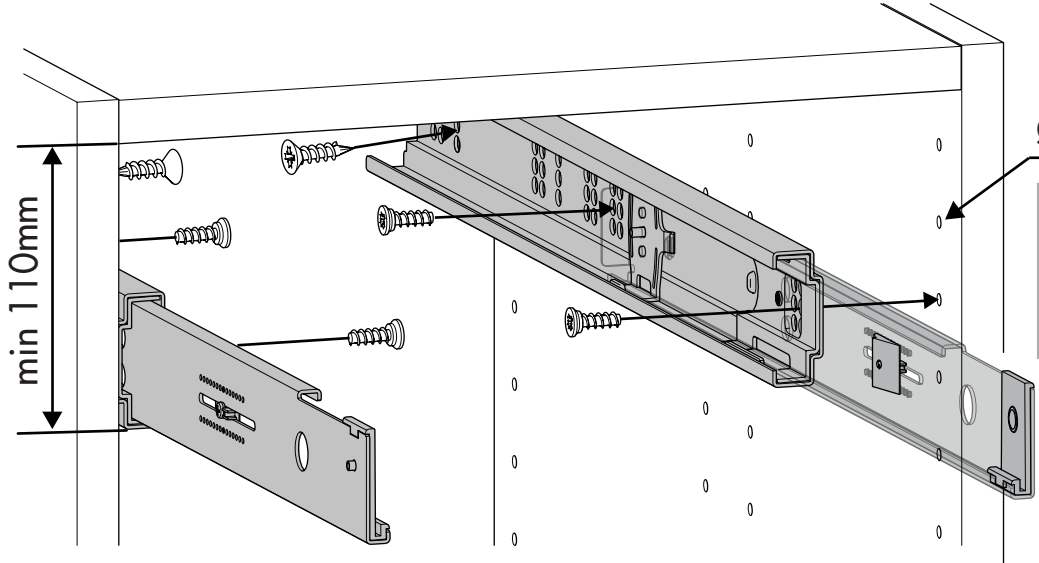
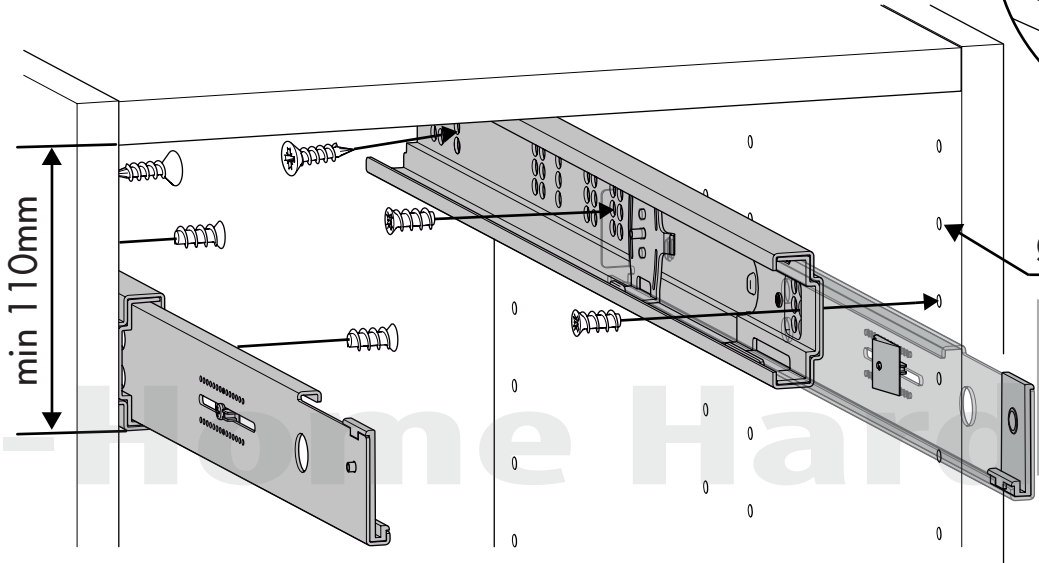
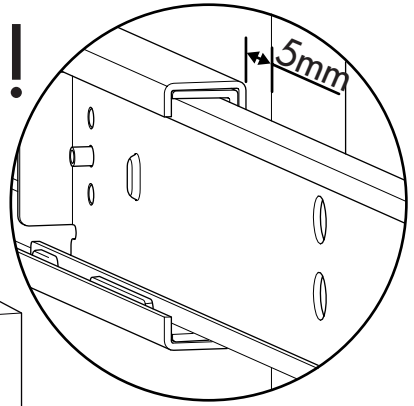
8mm

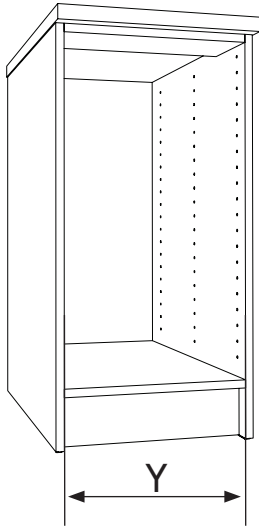
8mm

22,5mm

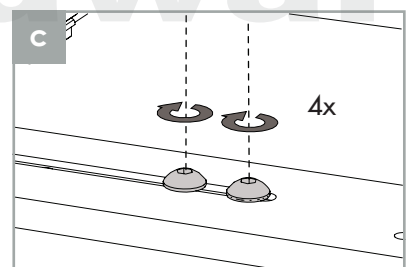
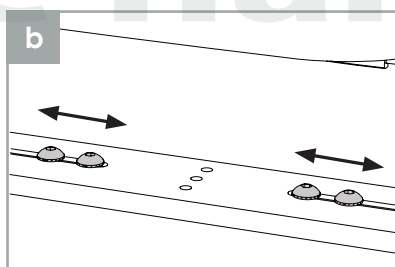
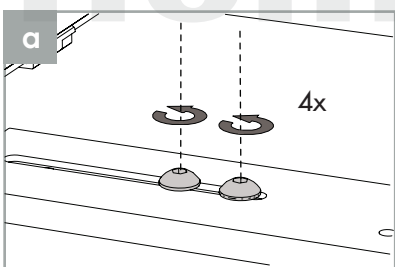
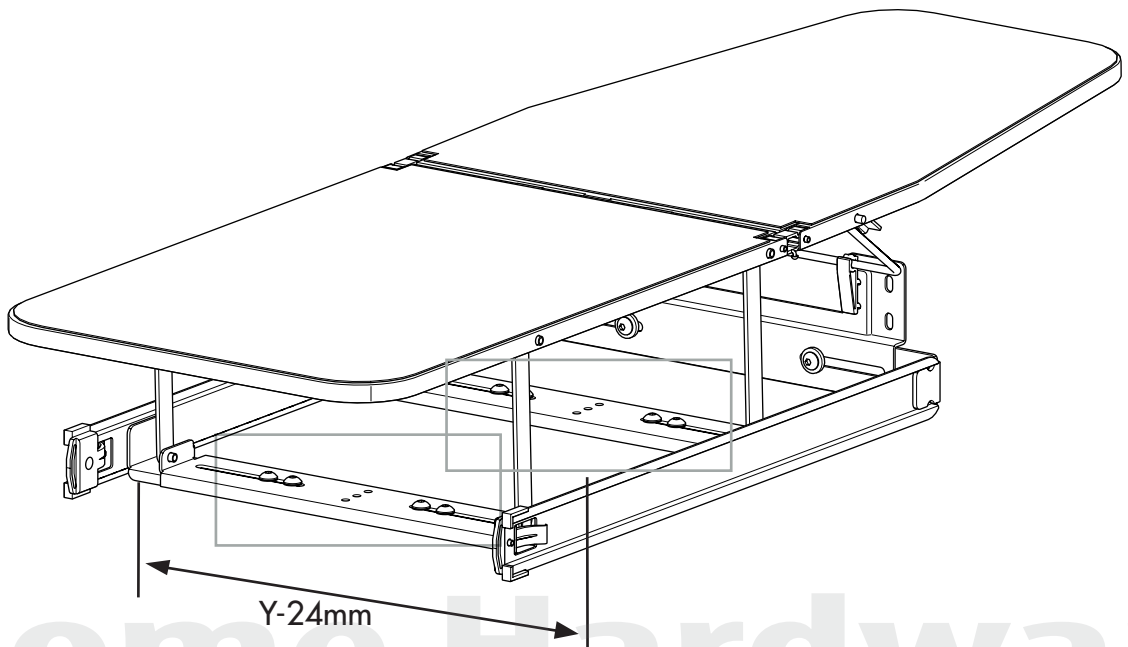
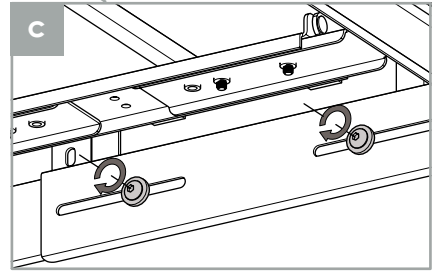
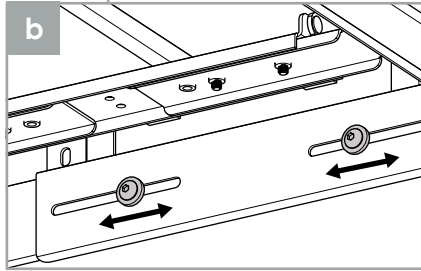
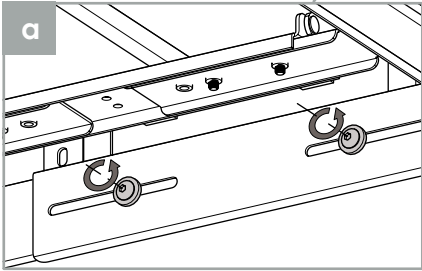
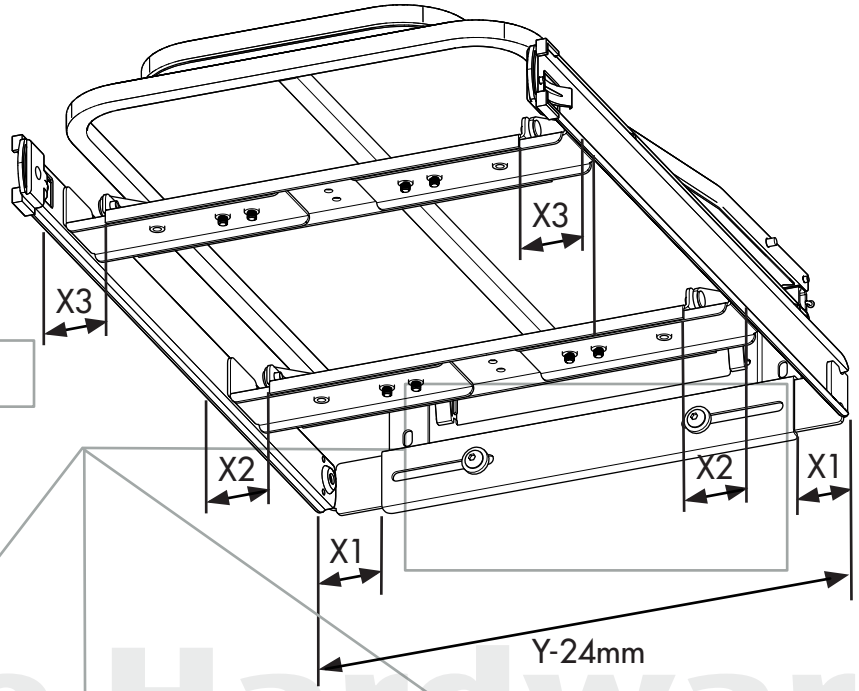
9mm

1

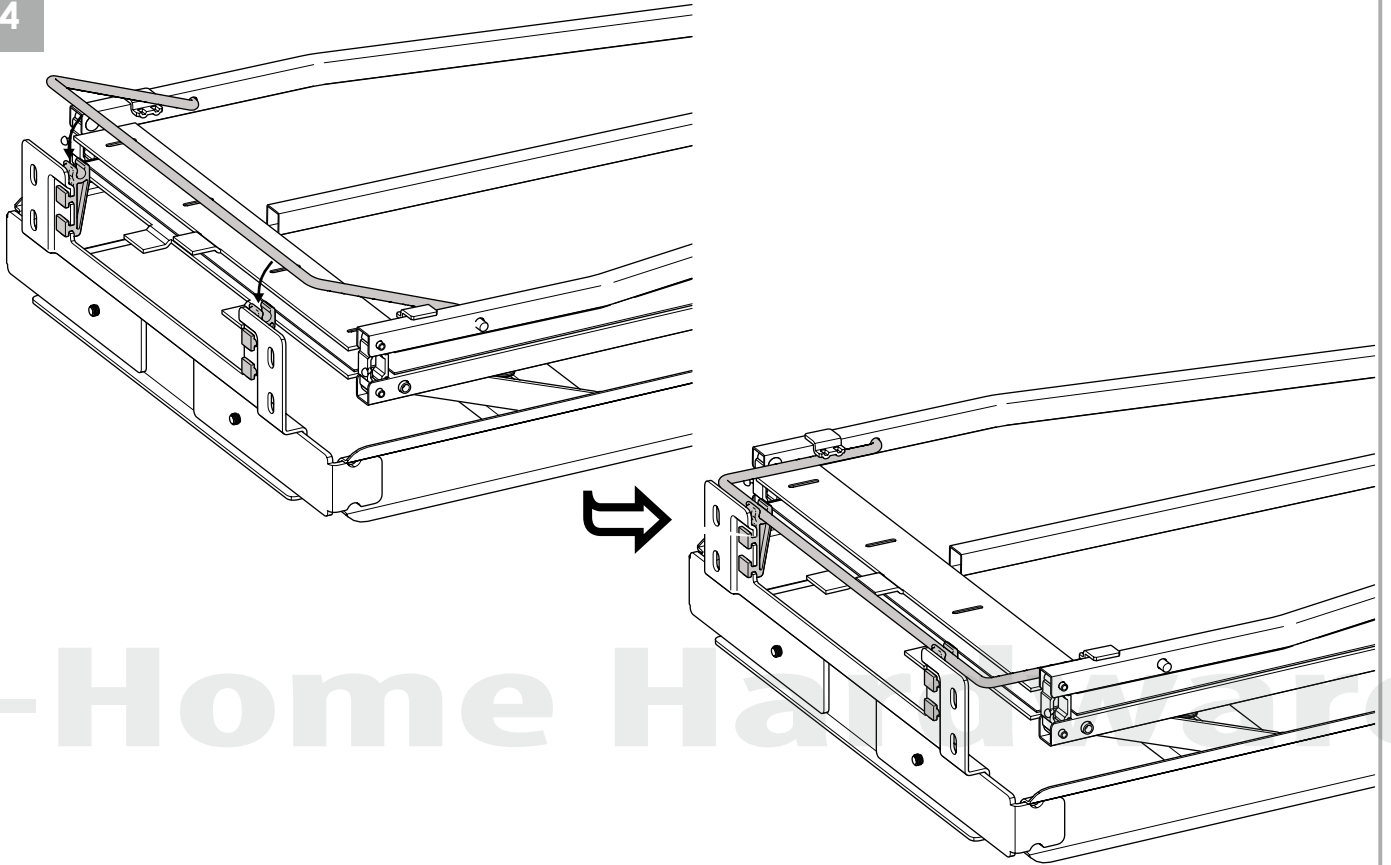




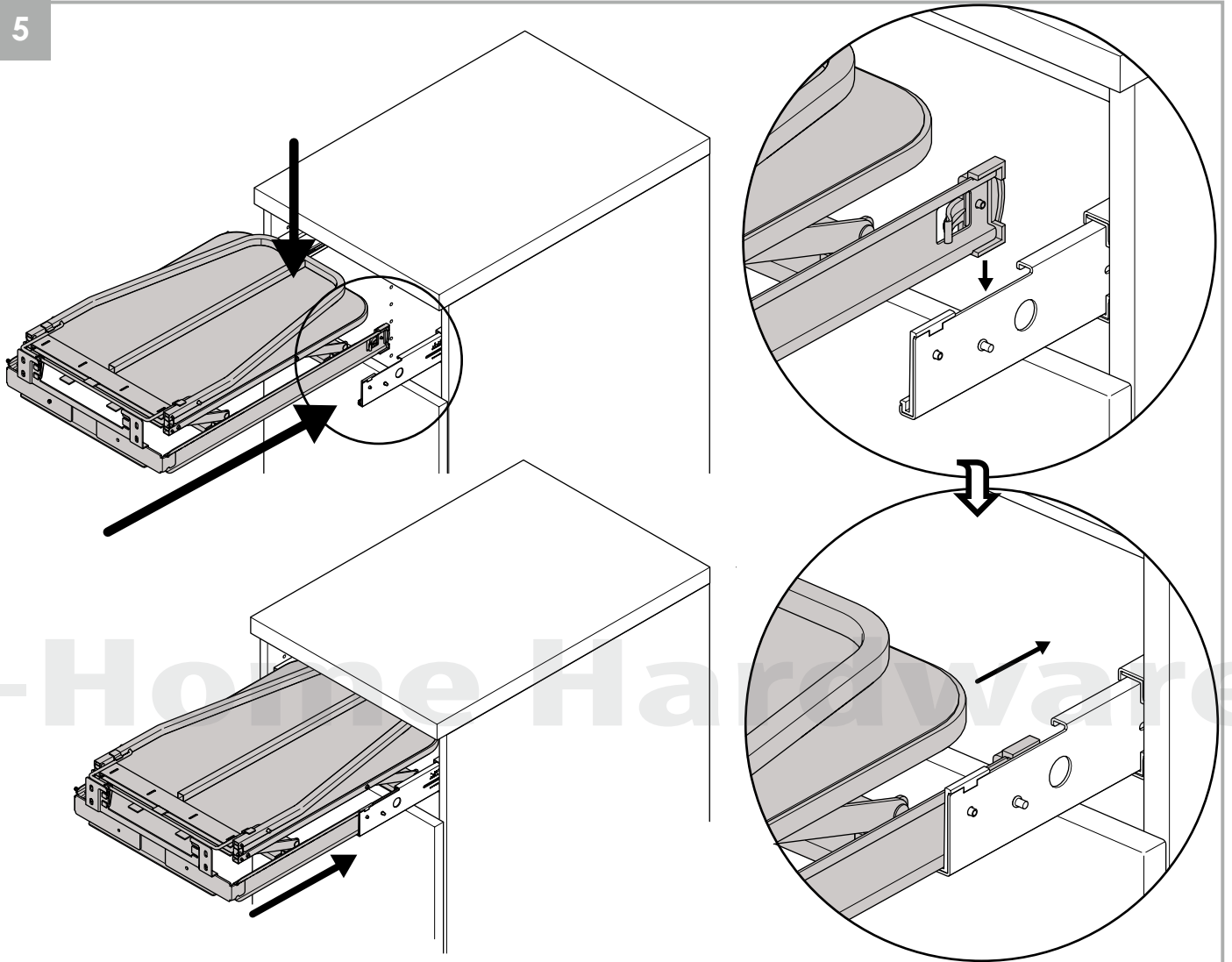
! X=X



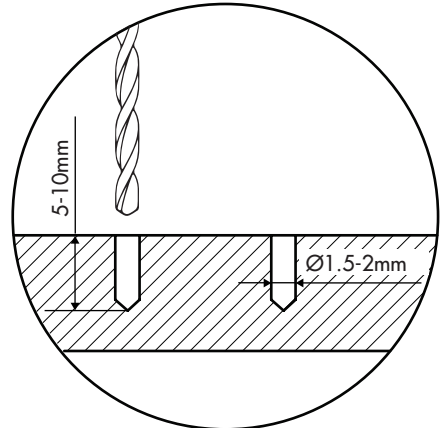
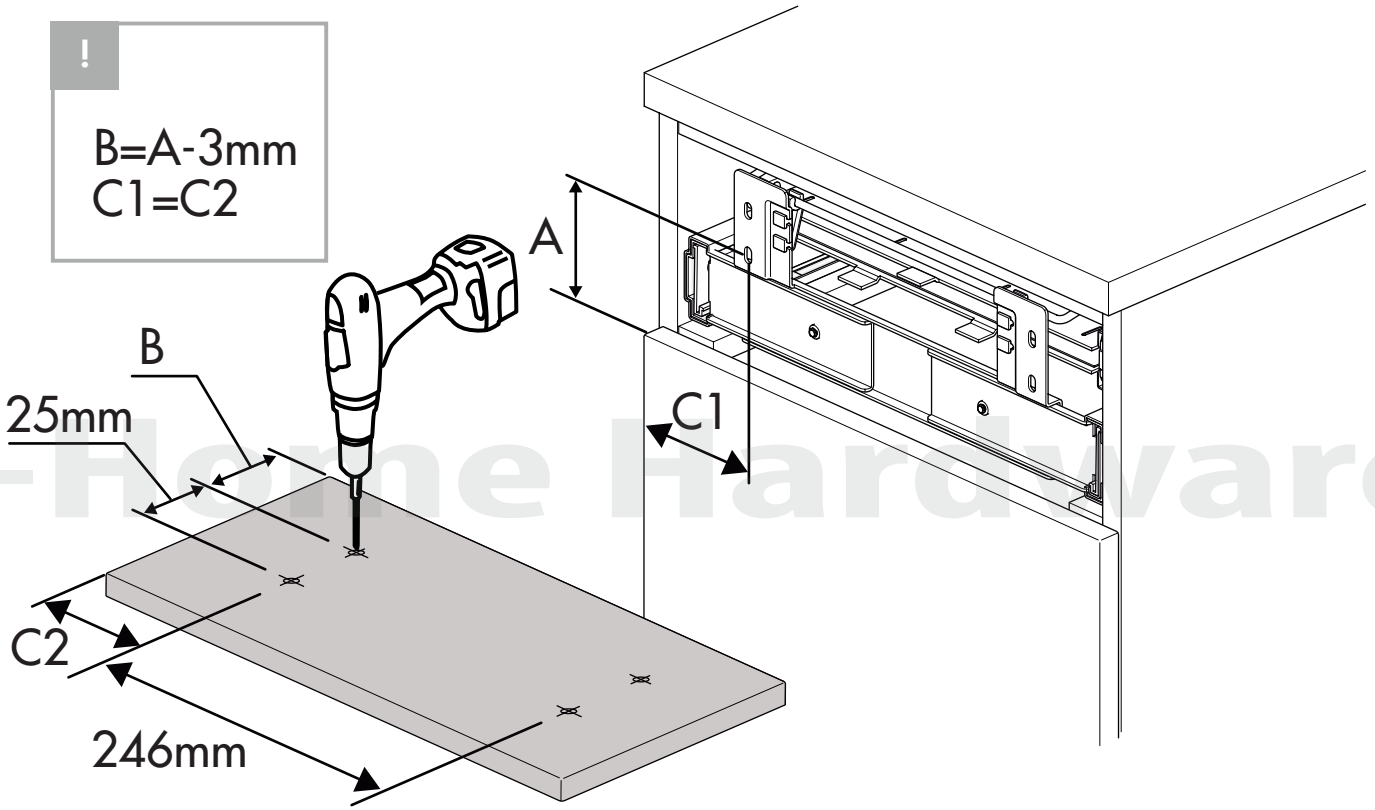
4



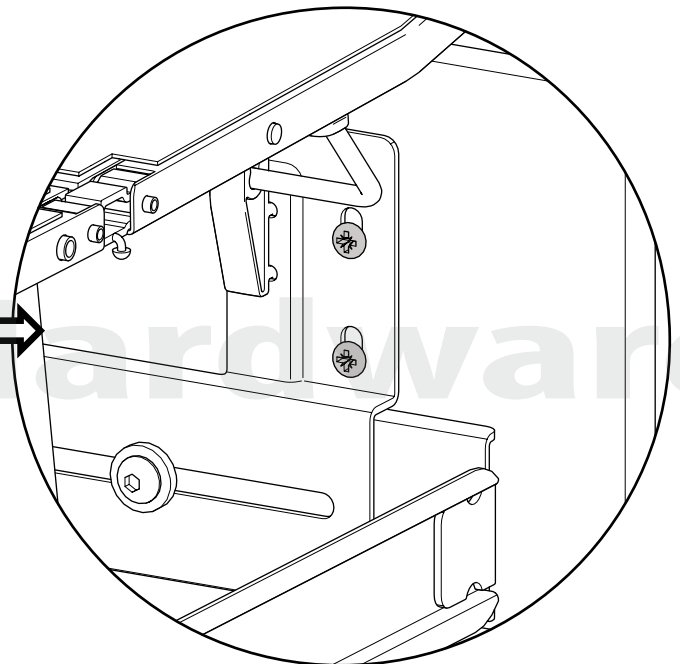
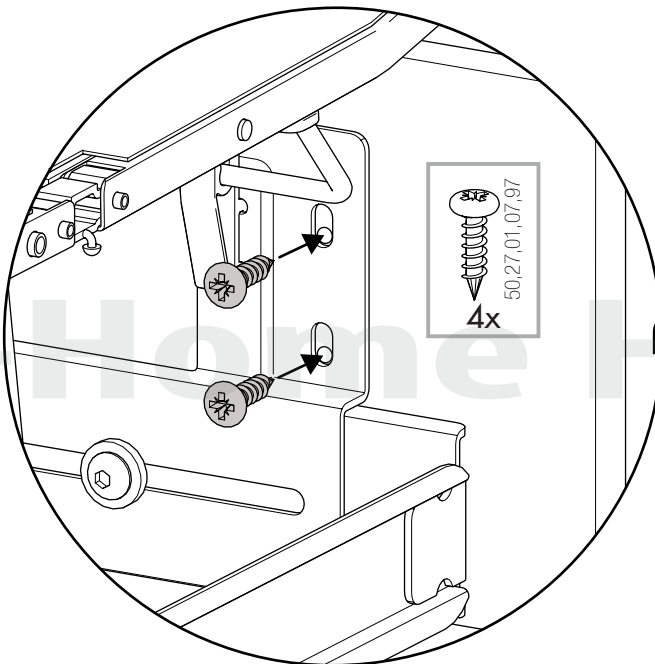
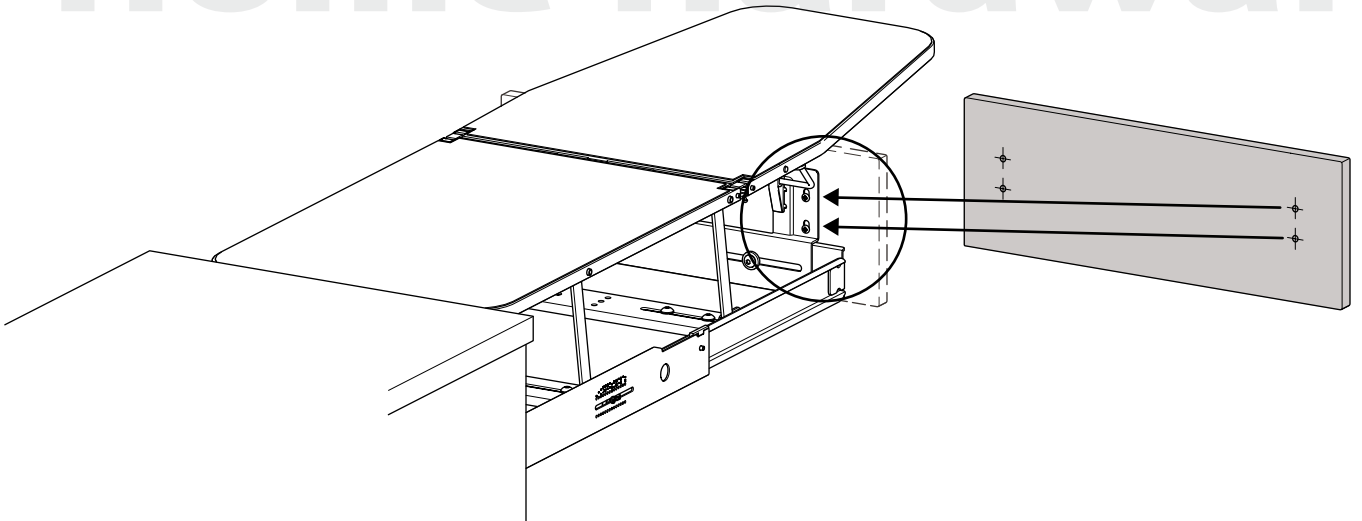
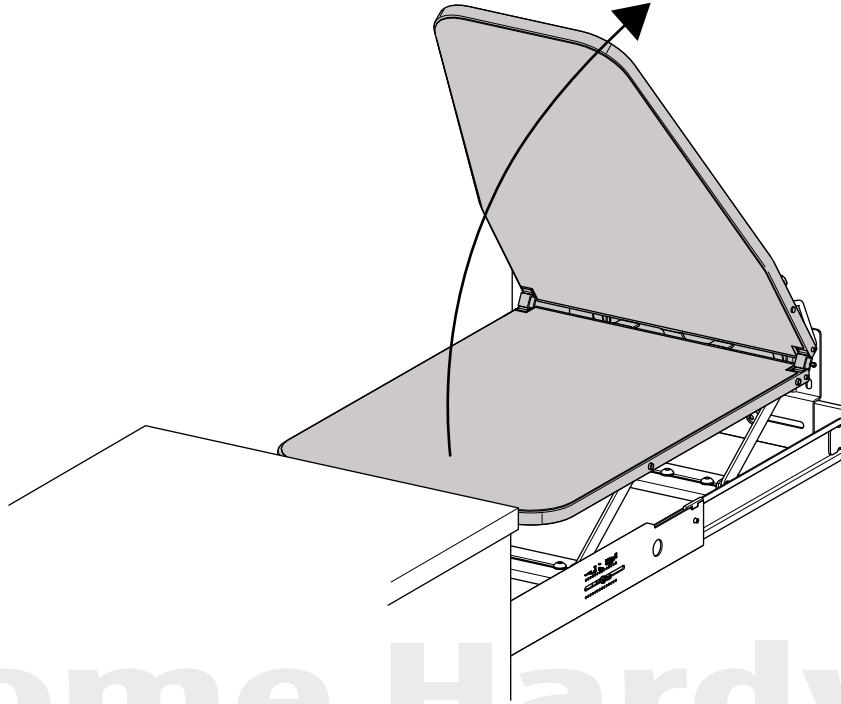
5

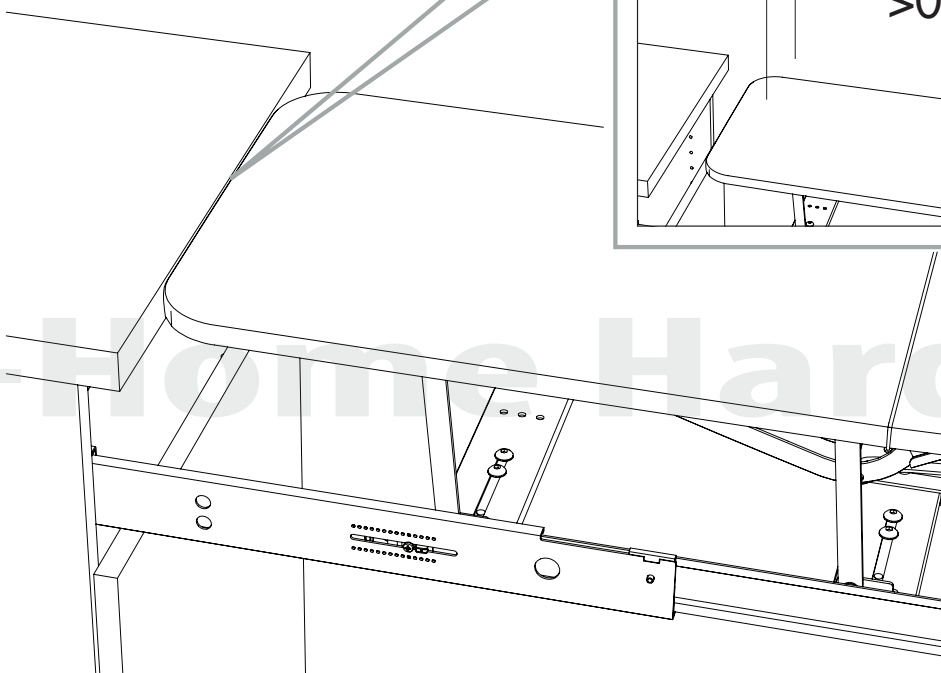
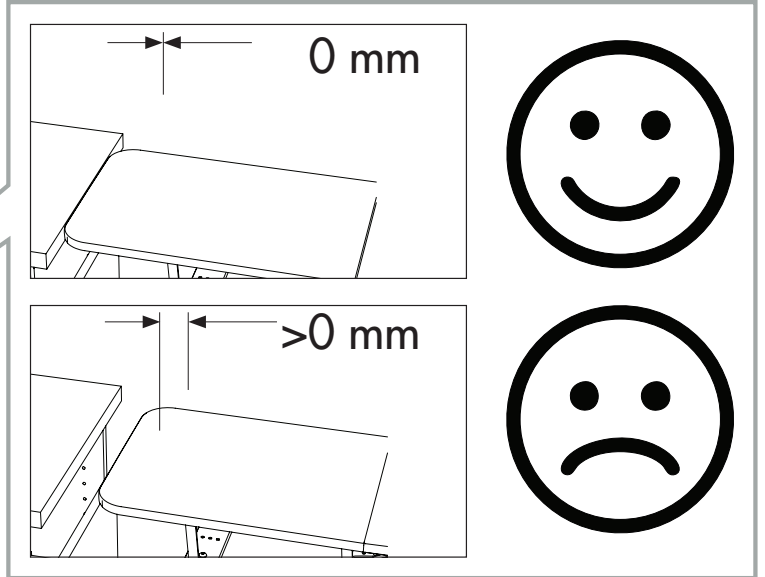
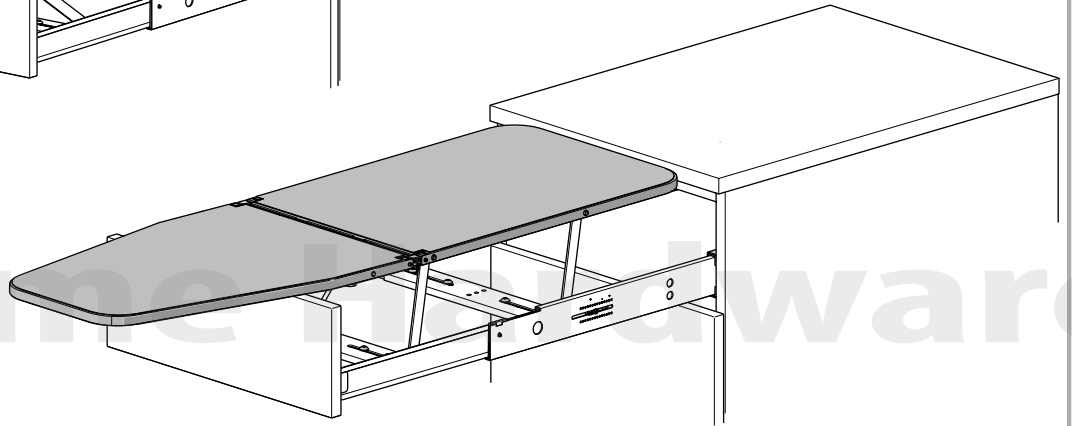
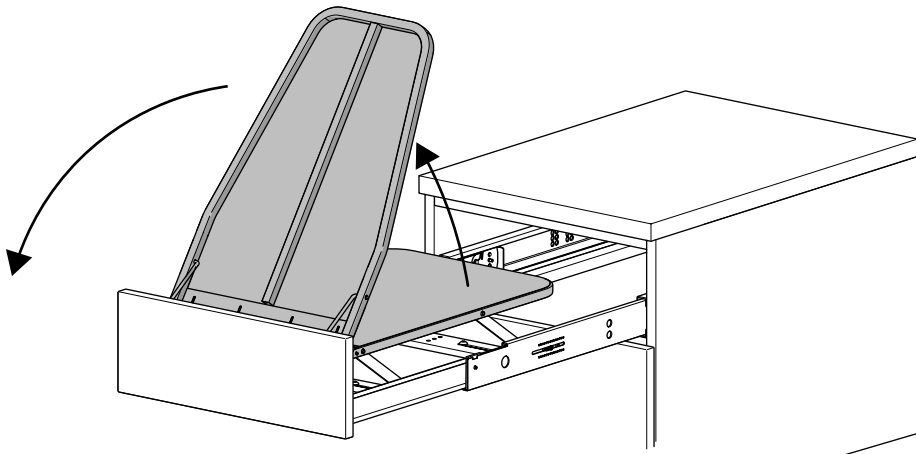


!
 $B=A-3\text{mm}$
 $C1=C2$



J-Home Hardware





九宏五金

J-Home Hardware

 @Jhome

 j_home_hardware

 台北市萬華區康定路1-1號



C O M P O N E N T S