



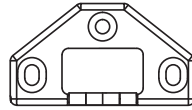
X1

LOCK HOUSING



M3*16

X4



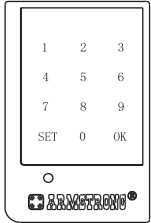
STRIKING PLATE

X1



M3.5*19

X3



X1

FRONT CASE



M3*18 FOR 21-28MM THICKNESS X4

M3*24 FOR 28-32MM THICKNESS X4

M3*29 FOR 31-35MM THICKNESS X4

M3*34 FOR 38-42MM THICKNESS X4

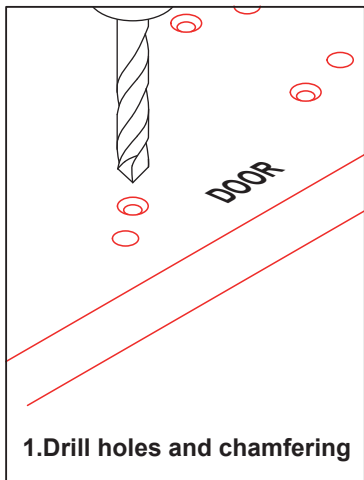
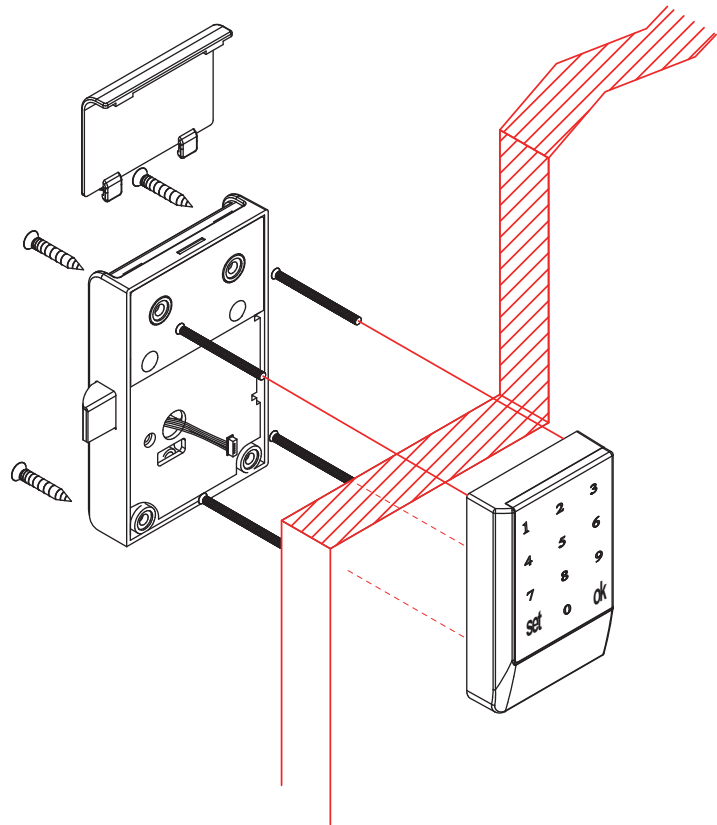
WARRANTY CARD

INSTALLATION SHEET

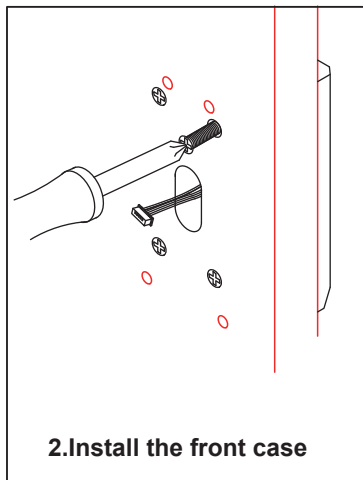
INSTRUCTION MANUAL

INSTALLATION DIAGRAM

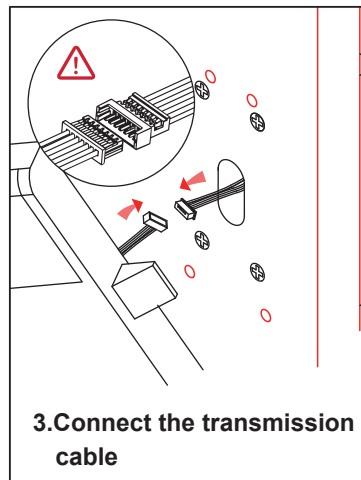
SDWP-001



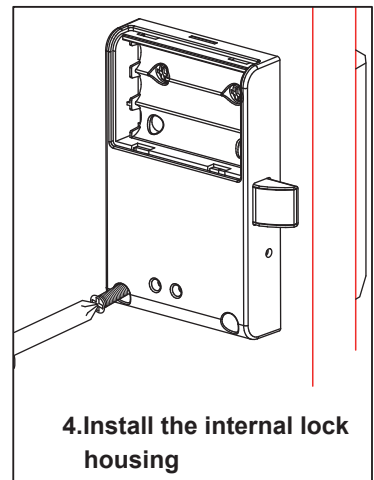
1. Drill holes and chamfering



2. Install the front case



3. Connect the transmission cable

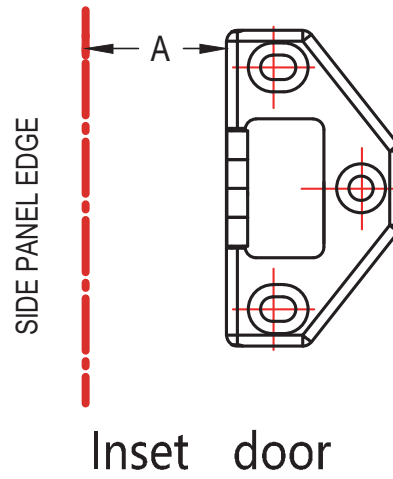
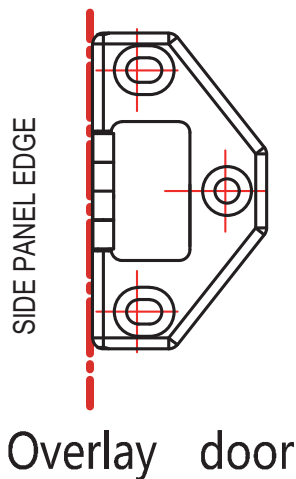
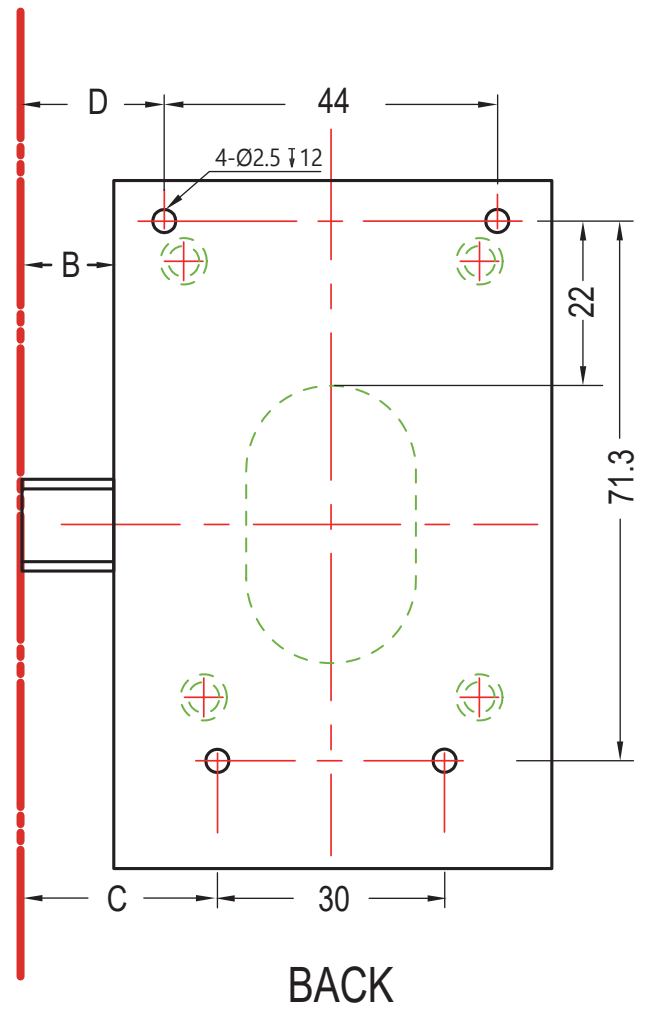
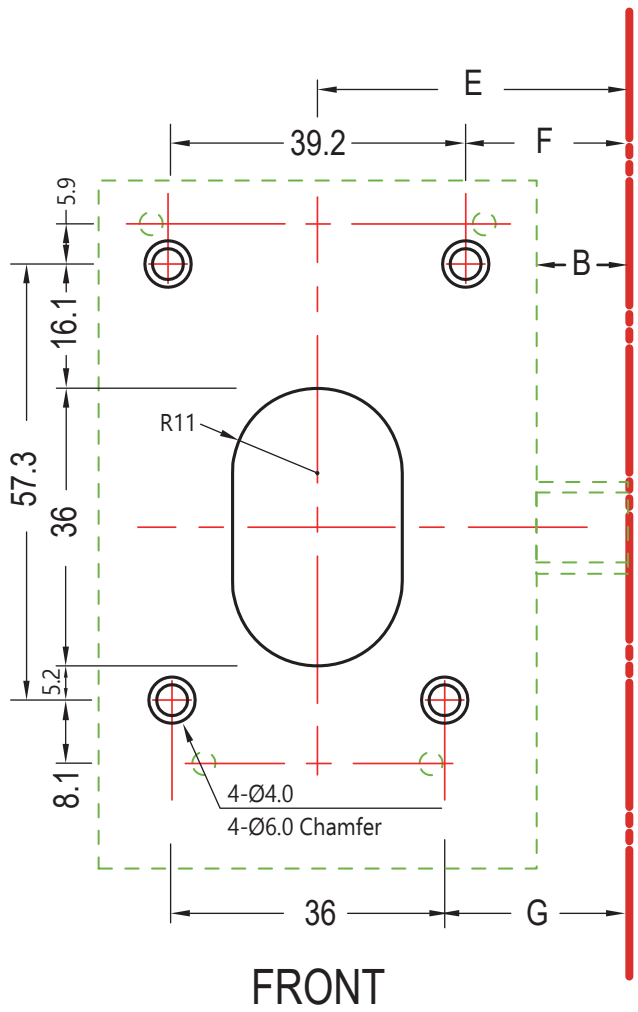


4. Install the internal lock housing

LEFT DOOR

CODE	INSET DOOR	OVERLAY DOOR
B	12mm	12mm+A
C	26mm	26mm+A
D	19mm	19mm+A
E	41mm	41mm+A
F	21.4mm	21.4mm+A
G	24mm	24mm+A

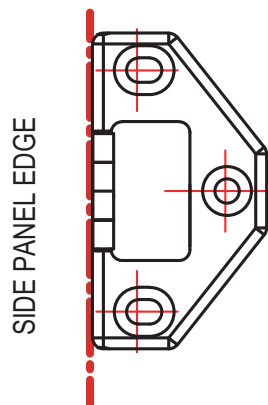
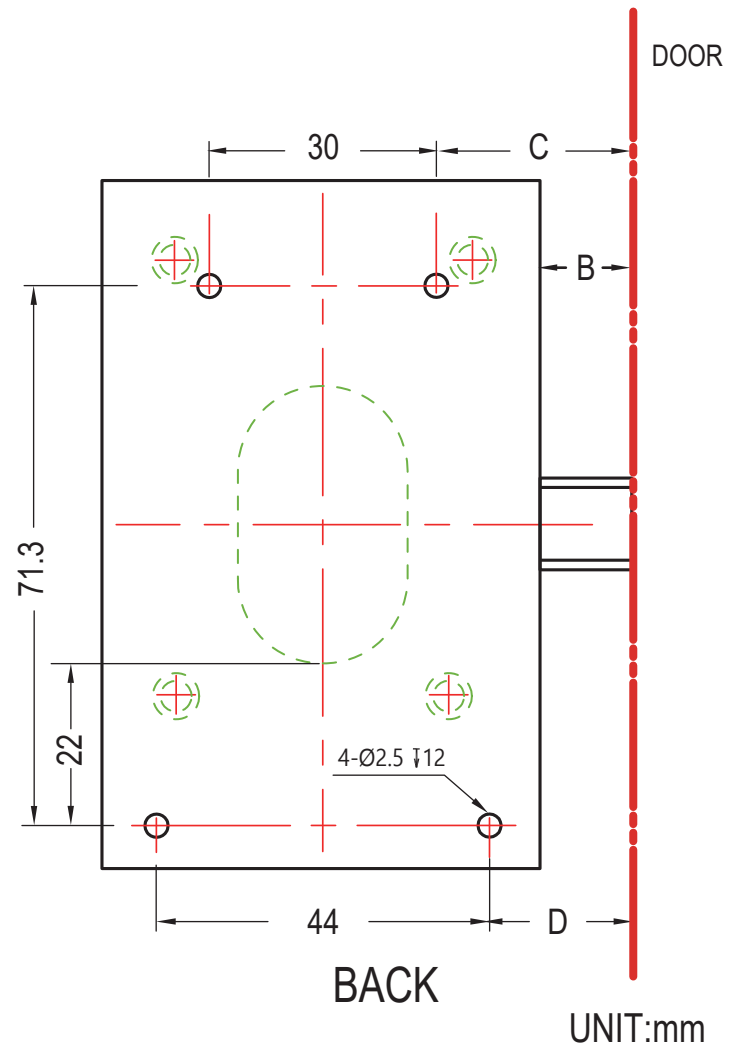
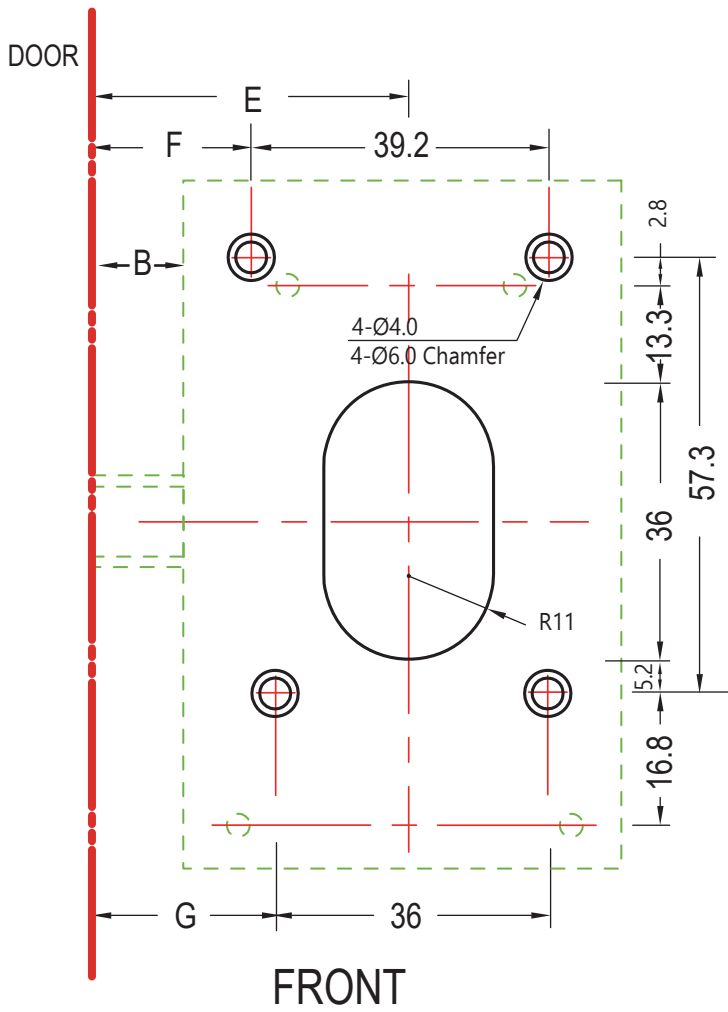
A= THICKNESS OF DOOR



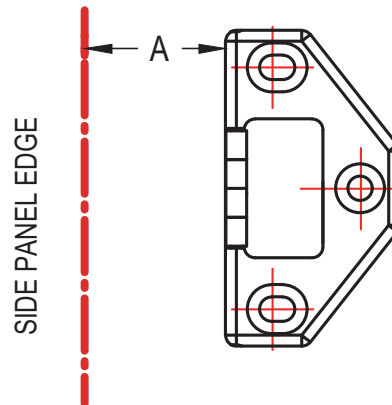
RIGHT DOOR

CODE	INSET DOOR	OVERLAY DOOR
B	12mm	12mm+A
C	26mm	26mm+A
D	19mm	19mm+A
E	41mm	41mm+A
F	21.4mm	21.4mm+A
G	24mm	24mm+A

A= THICKNESS OF DOOR



Overlay door



Inset door