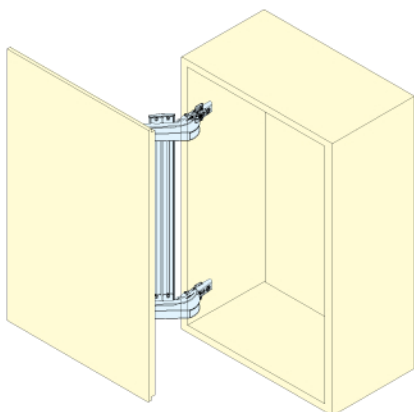


MONO FLAT LIN-X HINGE

LIN-X450

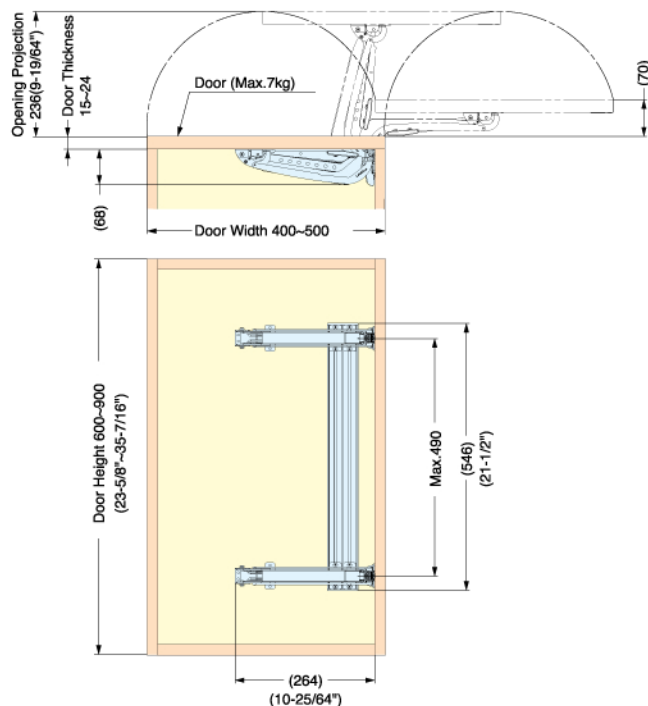
■ Standard Kit



Door Width	400-500 mm (15-3/4"-19-11/16")
Door Height	600-900 mm (23-5/8"-35-7/16")
Door Thickness	15 ~ 24 mm (5/8"~15/16")
Door Weight	Max. 7 kg (15.4 lbs) / Door

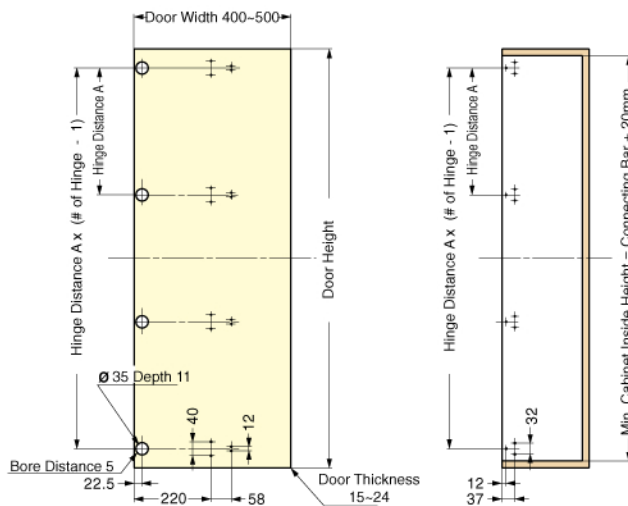
*Can be used on heavier / taller doors by adding hinge arms.
Please see below for details.

Item No.	Overlay	Material	Finish
LIN-X450	19 mm (3/4")	Steel/Aluminum	Nickel/Anodized
LIN-X450+5	14 mm (35/64")		



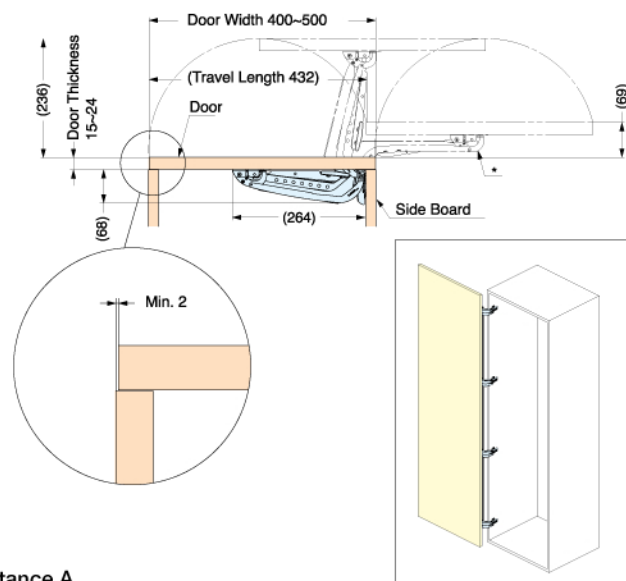
■ Individual Parts for Tall / Heavy Door

■ Door Preparation



Hinge in middle should be positioned at or equally distributed from center of door.

■ Cabinet Preparation



■ Hinge Distance A

Door Width	400-500 mm (15-3/4"-19-11/16")
Door Height	600-2400 mm (23-5/8"-94-1/2")
Door Thickness	15-24mm (5/8"-15/16")
Door Weight	Max. 17kg (37.4 lbs)

# of Hinges	Length of Connecting Bar (mm)					
	540	840	1140	1440	1740	2040
2 pcs	490	790	1090	-	-	-
3 pcs	245	395	545	695	845	-
4 pcs	-	263.3	363.3	463.3	563.3	663.3
5 pcs	-	-	272.5	347.5	422.5	497.5