

MADE IN ITALY - PATENT PENDING

PBMEK[®]
TOP SOLUTIONS

TIPUP[®]

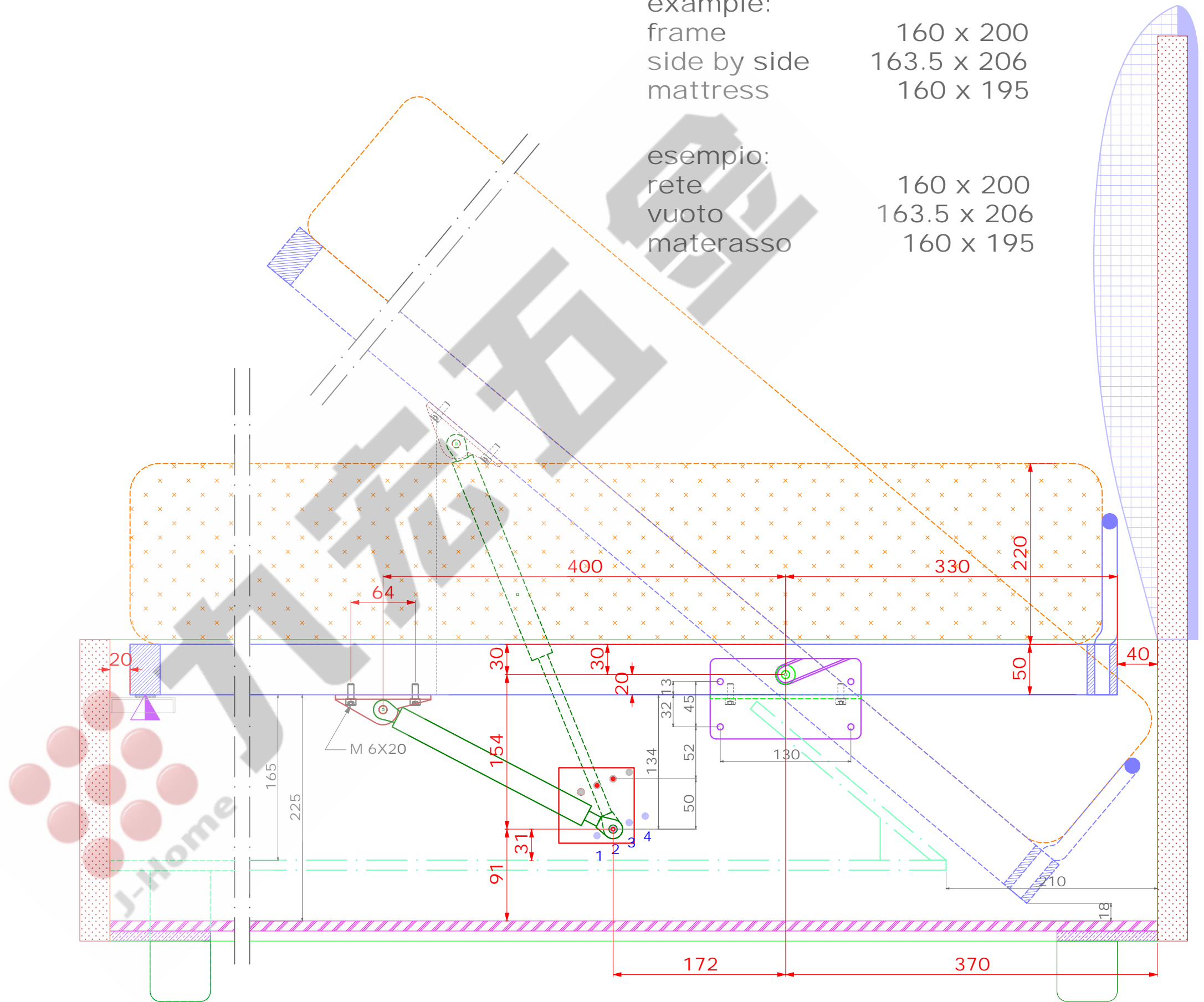
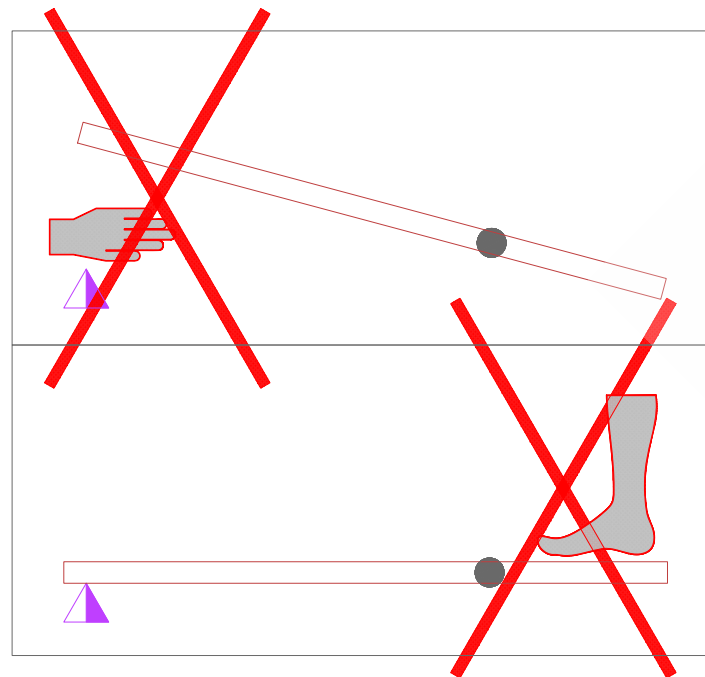
DESIGN : ARCH. GIULIO MANZONI

example:

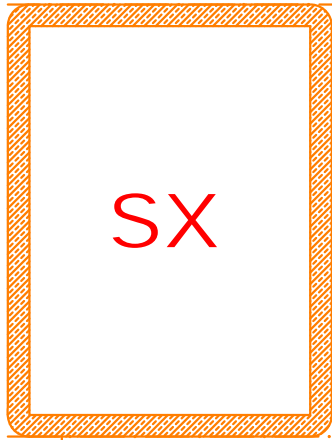
frame 160 x 200
side by side 163.5 x 206
mattress 160 x 195

esempio:

rete 160 x 200
vuoto 163.5 x 206
materasso 160 x 195



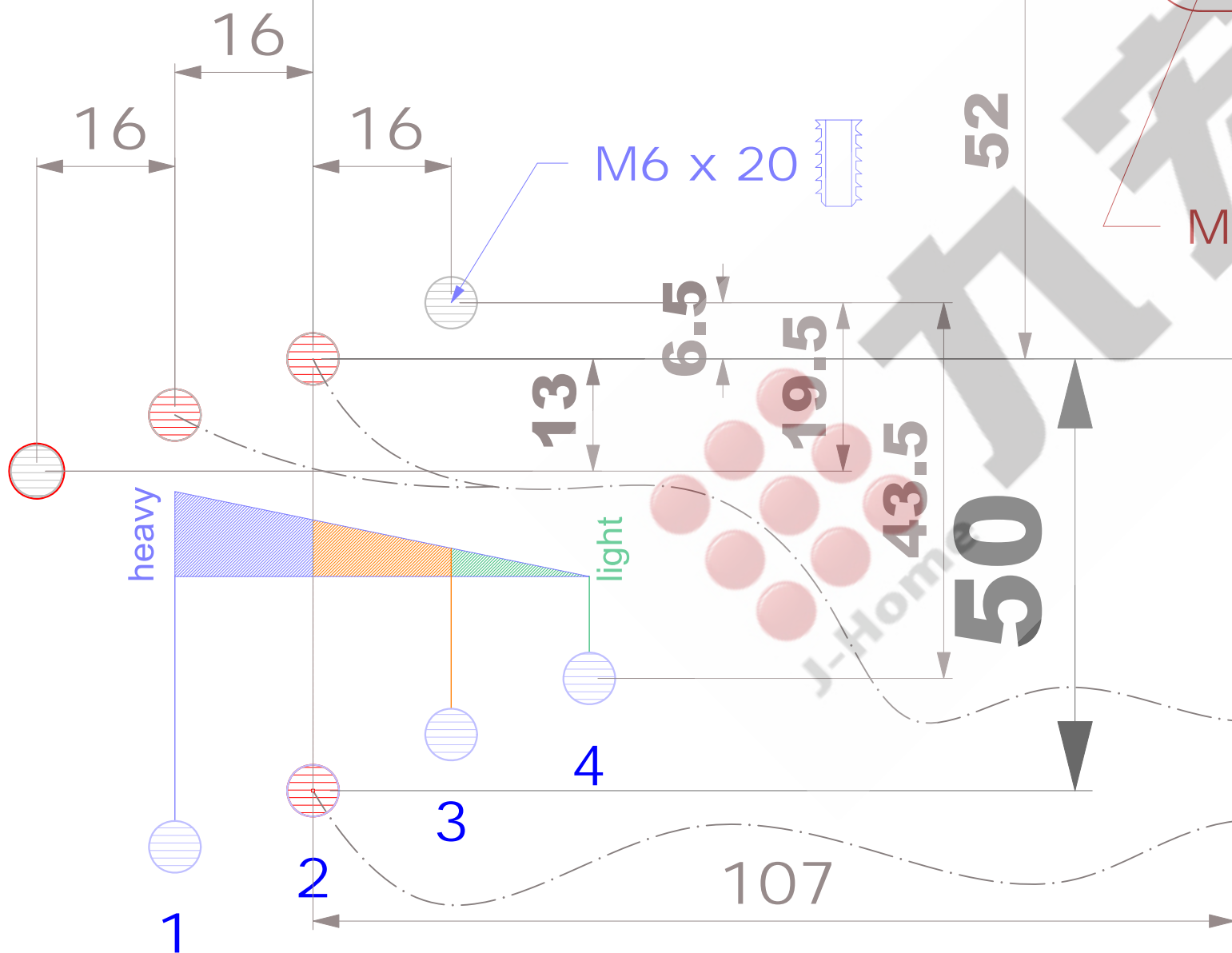
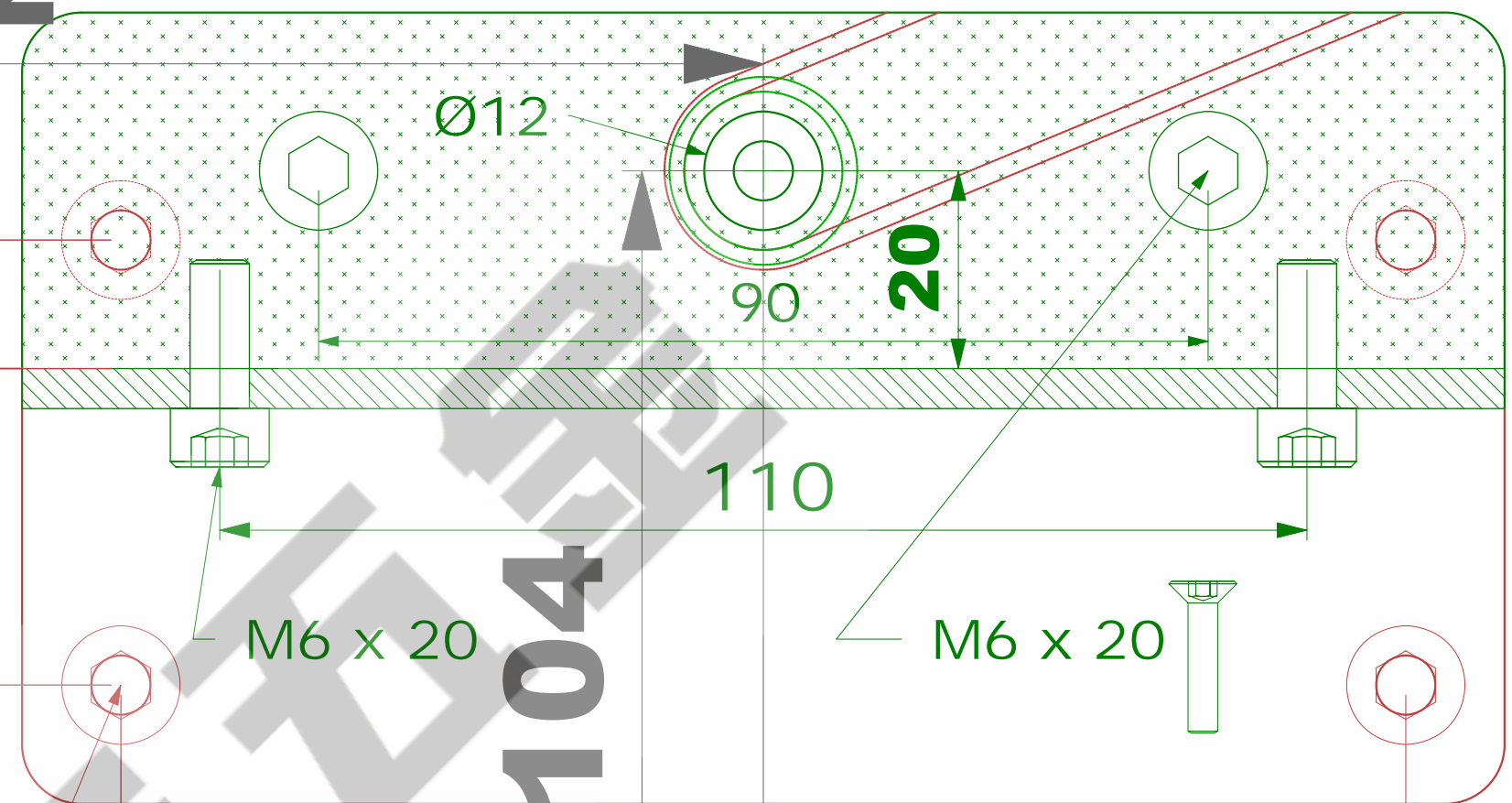
172



SX

filo sotto rete
bed frame

dima scala 1 : 1
frame assembly scale 1 : 1



- n° 24 M6 x 20
- n° 12 M6 x 15
- not included
- n° 8 M6 x 30
- n° 4 M6 x 20
- n° 4 M6 x 30
- n° 2 M6 x 35
- n° 8 M6 x 20
- © n° 2 Ø8 x 30

370
da schienale
from back side

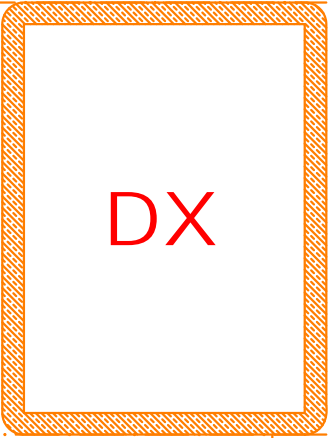
MADE IN ITALY - PATENT PENDING

PBMEK[®]
TOP SOLUTIONS

TIPUP[®]

DESIGN : ARCH. GIULIO MANZONI

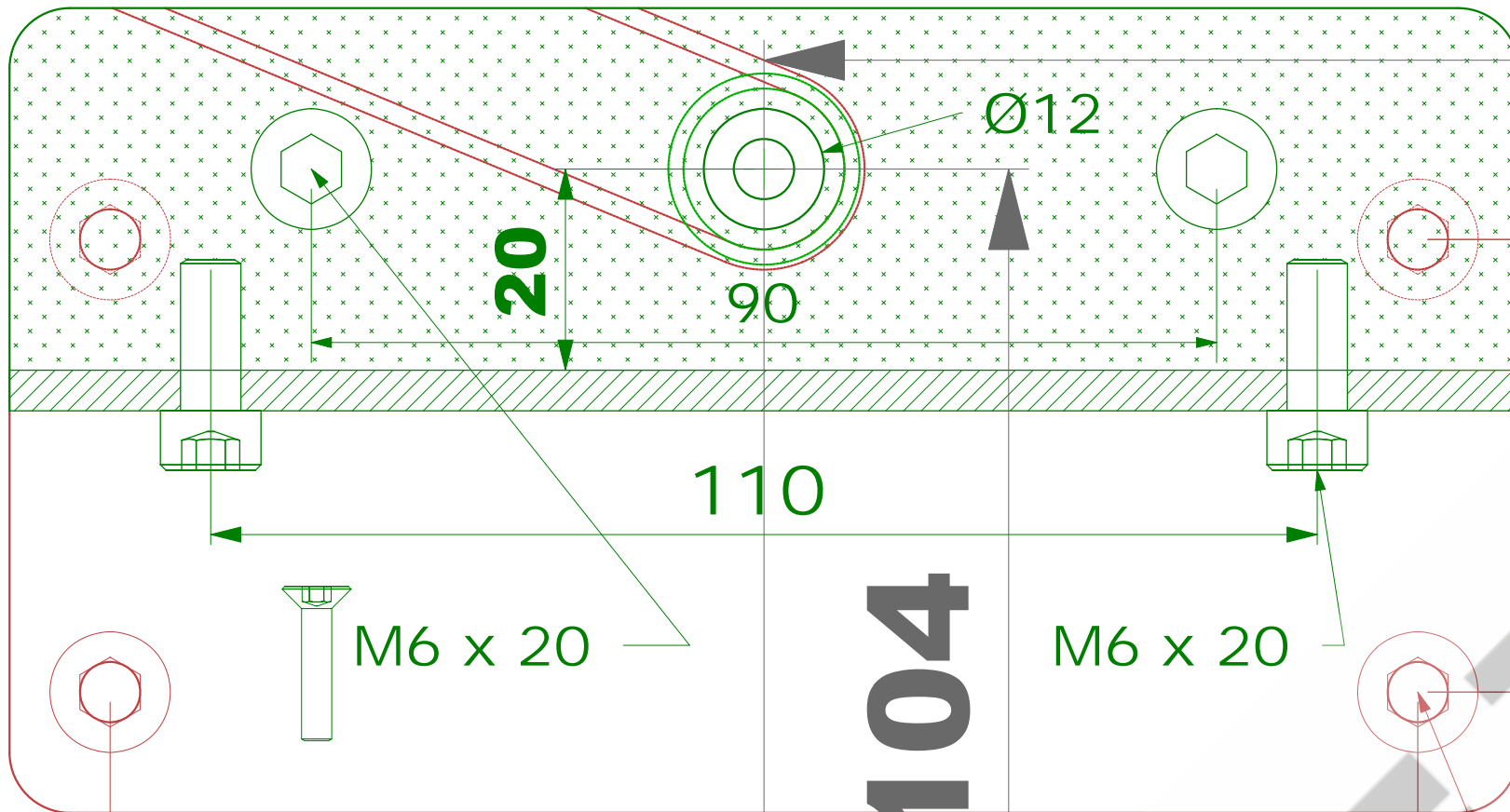
172



DX

filo sotto rete
bed frame

dima scala 1 : 1
frame assembly scale 1 : 1



110

20

90

Ø12

M6 x 20

M6 x 20

104

130

370

da schienale
from back side

45

13

32

52

M6 x 30

M6 x 20

16

16

16

19.5

6.5

13

50

43.5

light

heavy

4

3

2

1

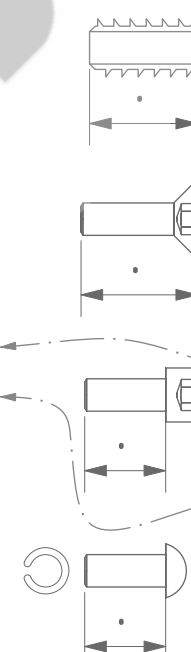
107

- n° 24 M6 x 20
- n° 12 M6 x 15
- not included

- n° 8 M6 x 30
- n° 4 M6 x 20

- n° 4 M6 x 30
- n° 2 M6 x 35
- n° 8 M6 x 20

- n° 2 Ø8 x 30



MADE IN ITALY - PATENT PENDING

PBMEK®

TOP SOLUTIONS

TIPUP®

DESIGN : ARCH. GIULIO MANZONI

LIGHT - LEGGERISSIMO IN APERTURA - kg																								
LIGHT - LIGHTEST ON OPENING -																								
COME LO METTI STA - kg																								
STOP - AS - YOU - GO																								
HEAVY - CHIUSURA SOFT - kg																								
HEAVY - SOFT CLOSING -																								
		33.5	35.5	37.5	39.5	41.5	43.5	45.5	47.5	49.5	51.5	53.5	56.0	58.5	63.5	65.5	67.0	73.5	75.5	77.0	81.5	85.5	89.5	94.5
		35.5	37.5	39.5	41.5	43.5	45.5	47.5	51.5	53.5	55.5	57.5	60.0	62.5	66.5	68.5	70.5	75.5	77.5	79.0	83.50	87.5	91.5	96.5
		37.5	39.5	41.5	43.5	45.5	47.5	49.5	53.5	56.0	58.0	60.0	62.5	65.0	69.0	71.0	73.5	79.5	81.5	83.0	86.0	90.5	94.5	99.5
	4																							
N (300+300)= N 600	3																							
	2																							
	1																							
	4																							
N (400+400)= N 800	3																							
	2																							
	1																							
	4																							
N (500+500)= N 1000	3																							
	2																							
	1																							
	4																							
N (600+600)= N 1200	3																							
	2																							
	1																							
	4																							
N (700+700)= N 1400	3																							
	2																							
	1																							
	4																							
N (800+800)= N 1600	3																							
	2																							
	1																							
	4																							
N (1000+1000)= N 2000	3																							
	2																							
	1																							
I PESI INCLUDONO RETE MATERASSO E COPERTE (KG 3)																								
common weights = bedframe + mattress + blankets (kg 3)																								
INFO																								
PESI MATERASSI MATRIMONIALI :																								
weights of double-bed mattress :																								
basic (foam density 35 kg/mc) - basic (densità 35)																								
memory foam - memory																								
orthopedic spring-mattress - ortopedico a molle																								
latex - lattice																								